

Инструкция

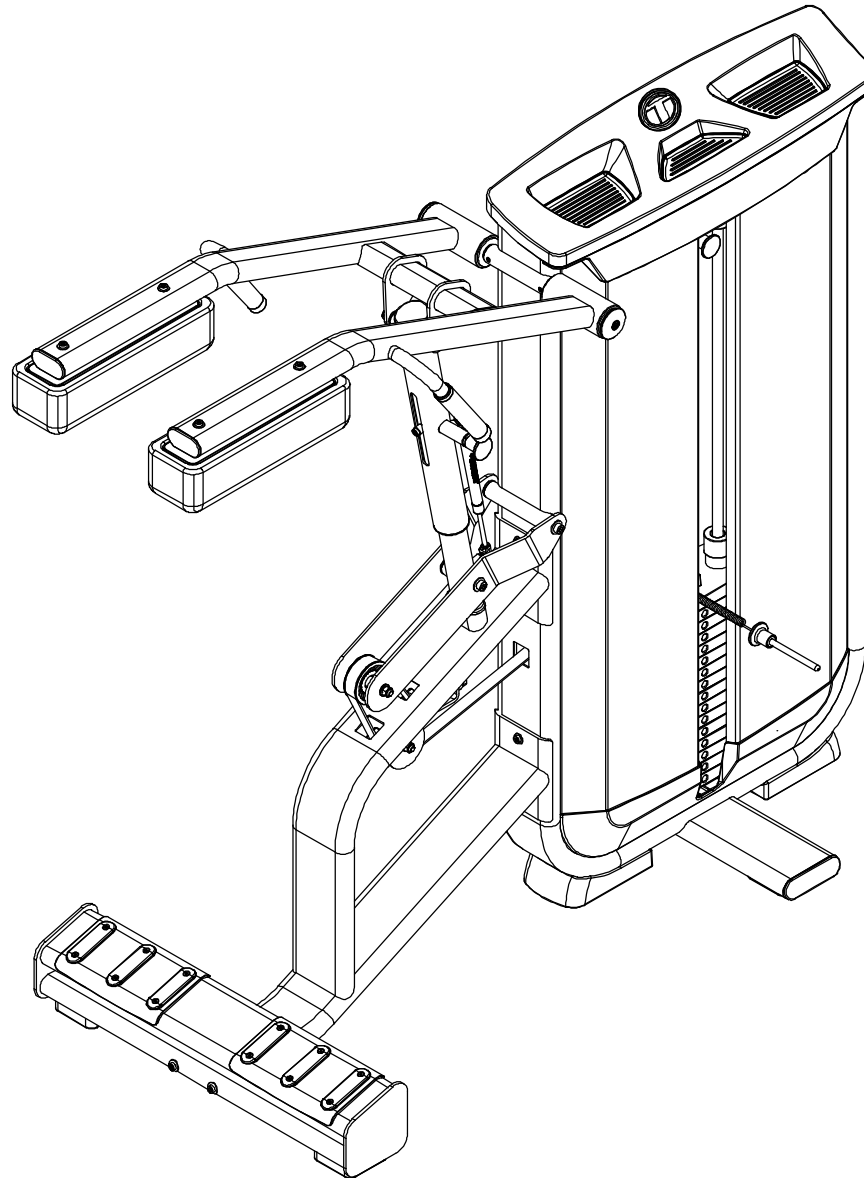
Голень стоя Inotec NL13

Полезные ссылки:

[Голень стоя Inotec NL13 - смотреть на сайте](#)

[Голень стоя Inotec NL13 - читать отзывы](#)

STANDING CALF

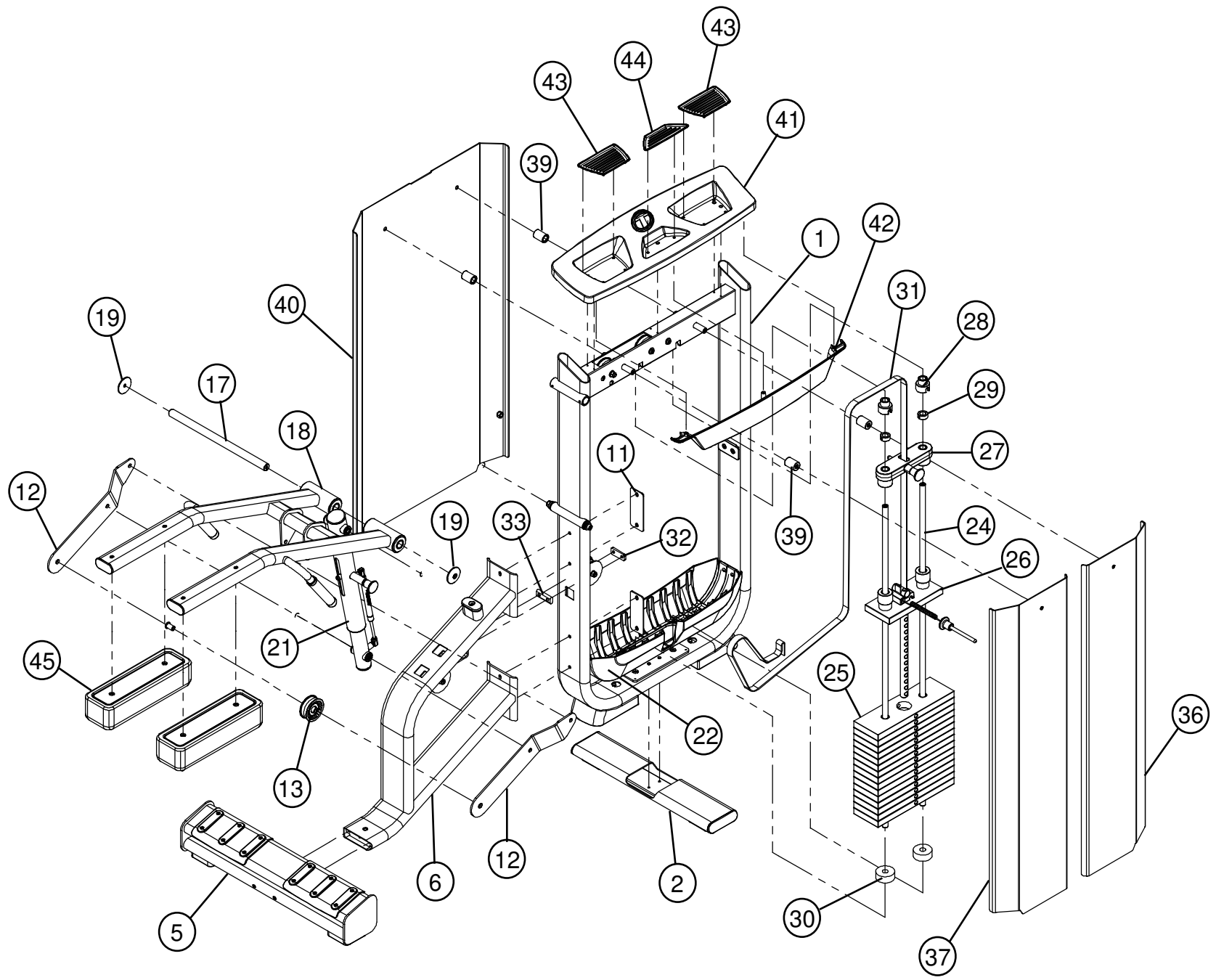


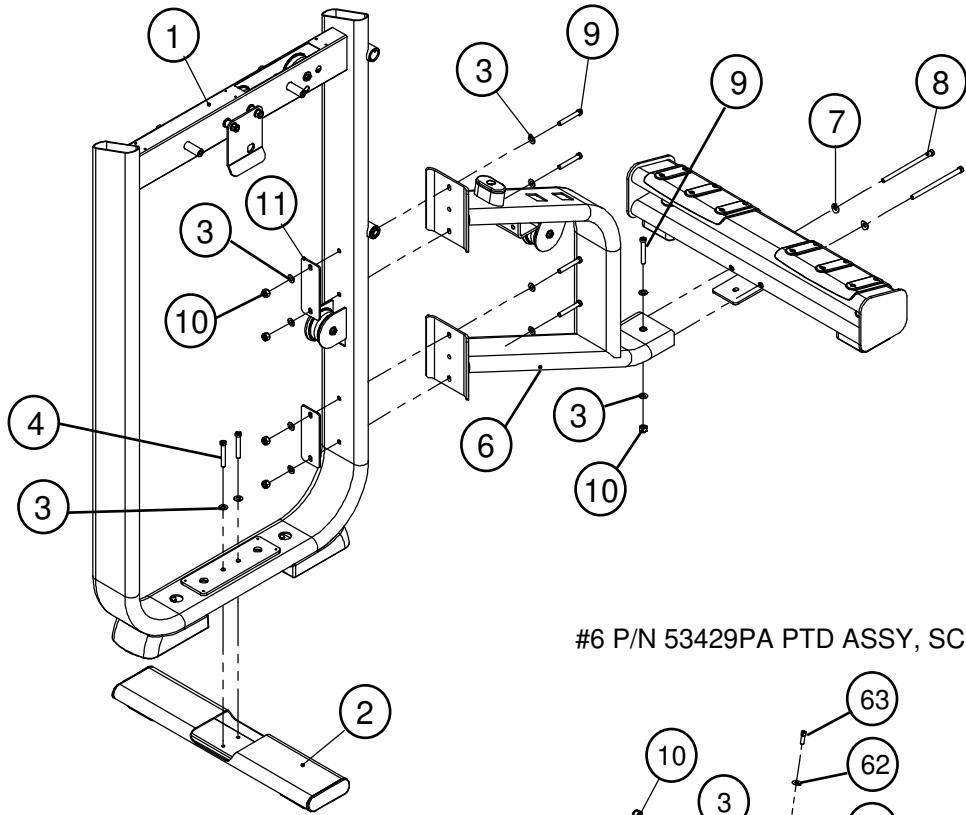
PARTS LIST

ITEM	QTY	PART NO	Paraong P/N	DESCRIPTION	Chinese Description
1	1	53426PA	P20-3963	PTD ASSY, SC TOWER	主架固定管組
2	1	53515PA	P20-3964	PTD ASSY, SC TOWER SUPPORT	底管組
3	30	2001101		WASHER, FLAT 3/8 SAE ST ZN	平面華司20X10.5X1.0T
4	2	2006409		BOLT, 3/8-16 X 2-1/2" (64mm) SOCKET HEAD W/NP	六角承窩螺絲 3/8"x 2-1/2"L 點耐落
5	1	53435PA	P20-3966	PTD ASSY, SC STEP	腳踏管組
6	1	53429PA	P20-3965	PTD ASSY, SC FRAME	固定管組
7	2	2003001		WASHER, 3/8" SAE CURVED	弧形華司
8	2	2006424		BOLT, 3/8-16 X 6-1/4" (159mm) SOCKET HEAD W/NP	六角承窩螺絲 3/8"x 6-1/4"L 點耐落
9	5	2005409		BOLT, 3/8-16 X 2-1/2" (64mm) SOCKET HEAD	六角承窩螺絲 3/8"x 2-1/2"L
10	8	2001201		NUT, 3/8-16 LK ST ZN	尼龍螺帽3/8"-16x11T
11	2	5345401	P02-5625	PLATE, 60 X 155 X 4MM	固定片
12	2	5344501	P02-5626	BRKT, SC PIVOT LINK	固定片
13	1	5203801-A	A06-0231	PULLEY, 3" DIA BELT	平皮帶滑輪
14	2	5095401-A	P08-0066	SPACER, FLNG 16.2 X 10.1 X 24.8	T帽套管
15	4	2006403		BOLT, 3/8-16 X 1" (25mm) SOCKET HEAD W/NP	六角承窩螺絲 3/8"x 1"L 點耐落
16	1	2005416		BOLT, 3/8-16 X 4-1/4" (108mm) SOCKET HEAD	六角承窩螺絲 3/8"x 4-1/4"L
17	1	5343901	P03-2549	SHAFT, SC PIVOT ARM	鐵心
18	1	53440PA	P20-3974	PTD ASSY, SC PIVOT ARM	活動管組
19	2	5215901-B	P05-0979	CAP, AL END 6205Z BEARING HOUSING	鋁蓋
20	2	2003501		SET SCREW, 5/16-18 X 5/16" W/NP	內六角止付螺絲 點耐落
21	1	5354501	P20-3975	ASSY, SC PIVOT ARM ADJUST	調整管組
22	1	5212601-C	P06-2151	COVER, TOWER BASE	塑膠底座
23	12	2004802		SCREW, 10-32 X 1/2" (12MM) PAN HEAD W/NP	大扁頭十字螺絲#10-32x1/2"L 點耐落
24	2	5209701-A	P01-3735	GUIDE ROD, 19 DIA X 1315	升降桿
25	15	52101PA-B	P10-0778	PTD ASSY, 15 LB WEIGHT PLATE	選擇片
26	1	5250201-C	P20-2989	ASSY, 15 PLATE HEAD PLATE	上片組
27	1	5218201-D	P20-2988	ASSY, 7.5LB INC. WEIGHT	配重塊組
28	2	5209801	P06-2144	BUSHING, GUIDE ROD RETAINER	升降桿護套
29	2	5095301	A05-0212	SHAFT COLLAR, GUIDE ROD	固定軸套組
30	2	5098201	P06-0034	CUSHION, WEIGHT STACK	橡膠墊
31	1	5345301	P17-0018	BELT, SC TOWER	滑輪皮帶
32	1	5209501-A	P02-4387	PLATE, BELT WRAP	固定片
33	1	5208201-A	P02-4266	PLATE, BELT CLAMP	固定片
34	1	5297701-A		LABEL, WEIGHT STACK 15LBS	磅數表
35	2	2005406		BOLT, 3/8-16 X 1-3/4" (45mm) SOCKET HEAD	六角承窩螺絲 3/8"x 1-3/4"L
36	1	5248901-A	P10-0807	SHROUD, TOWER FRONT N/O	右前護網
37	1	5212901-B	P10-0785	SHROUD, TOWER FRONT - LH	左前護網
38	4	2005405		BOLT, 3/8-16 X 1-1/2" (38mm) SOCKET HEAD	六角承窩螺絲 3/8"x 1-1/2"L
39	4	5213201-B	P06-2146	MOUNT, 19MM ID STANDOFF	橡膠套
40	1	5297001-A	P10-0783	ASSY, REAR SHROUD	后護網
41	1	5294601-A	P20-2990	ASSY, TOWER CAP	塑膠蓋組

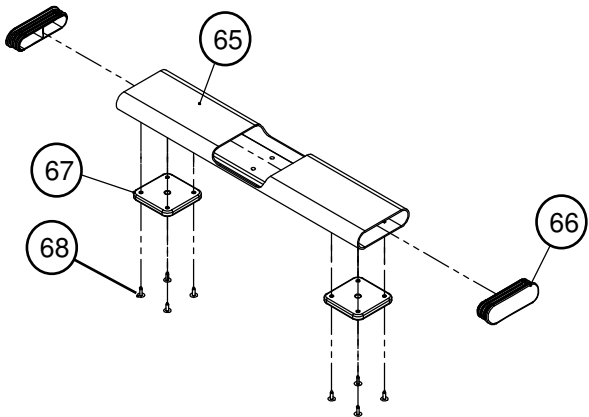
42	1	5345601		ASSY, SC PLACARD	塑膠蓋合運動看板
43	2	5244001-A	P06-2155	TRAY, TOWER CAP - LARGE	橡膠墊
44	1	5244101-A	P06-2156	TRAY, TOWER CAP - SMALL	橡膠墊
45	2	5345501	P07-0544	PAD, SHOULDER	肩墊
46	4	2006410		BOLT, 3/8-16 X 2-3/4" (70mm) SOCKET HEAD W/NP	六角承窩螺絲 3/8"x 2-3/4"L 點耐落
47	1			BOLT, 1/2-13 X 7-1/2" (191mm) SOCKET HEAD	六角承窩螺絲 1/2"x 7-1/2"L
48	6			1" x 1/2" FLAT WASHER	平面華司 26X13X2.0T
49	3			NUT, 1/2-13 LK ST ZN	尼龍螺帽 1/2"-13x12T
50	1			BOLT, 3/8-16 X 5-1/4" (133mm) SOCKET HEAD	六角承窩螺絲 1/2"-13 x 5-1/4"L
51	1			BOLT, 1/2-13 X 4-1/4" (108mm) SOCKET HEAD	六角承窩螺絲 1/2"-13 x 4-1/4"L
52	1	5342601	P04-3601	SC TOWER WELDMENT	主架固定管
53	1	5223801-B	P04-2813	PLATE, LIMIT	限位片組
54	4	5213001-A	P06-2143	CUSHION, SHROUD HOLDER	緩衝墊
55	2	5248501-A	P08-0121	SPACER, FLNG 16.2 X 10.1 X 6	T帽套管
56	1	2005410		BOLT, 3/8-16 X 2-3/4" (70mm) SOCKET HEAD	六角承窩螺絲 3/8"x 2-3/4"L
57	2			BOLT, 3/8-16 X 3-1/2" (89mm) SOCKET HEAD	六角承窩螺絲 3/8"x 3-1/2"L
58	2	5293901-B	P06-2254	FOOT, TOWER	腳墊
59	8			AVK INSERT	拉帽
60	2		P08-0048	BUSHING, 25.55X19.05X16 FLANGE BRONZE	含油軸承
61	4			WASHER, FLAT 12 X 5.2 X1.0T	平面華司12X5.2X1.0T
62	8			WASHER, FLAT 16 X 6.5 X 1.0T	平面華司16X6.5X1.0T
63	8	2006503		BOLT, 1/4-20 X 3/4" (19mm) SOCKET HEAD W/NP	六角承窩螺絲 1/4"x 3/4"L 點耐落
64	1	5306101	P03-2758	PIVOT SHAFT	套管
65	1	5351501	P04-3600	SC TOWER SUPPORT	底管
66	2	5205401-A	P06-2129	END CAP, FLATOVAL	橢圓管塞
67	2	5271701-A	P06-2204	FOOT PAD	腳墊
68	16			RIVET	拉釘
69	1	5343501	P04-3603	SC STEP WELDMENT	腳踏管
70	2	5226901-A	P06-2136	TREAD COVER	腳墊
71	2	5213101-B	P06-2147	Main Frame Foot Pad	腳墊
72	1		P06-0134	PLUG	扣塞
73	1	5342901	P04-3602	SC FRAME WELDMENT	固定管
74	1	5205201-A	P06-2188	BUMPER	緩衝墊
75	1	5344001	P04-3606	SC PIVOT ARM WELDMENT	活動管
76	4		P05-0204	FLANGE BEARING	法蘭培林
77	2	5095601-B	P05-1002	COLLAR	固定軸套
78	2	5351401	P06-2789	HAND GRIP	把手套
79	2	5095701-B	P05-1001	ALUMINUM CAP	鋁蓋
80	2		P06-2283	FLATOVAL END CAP	橢圓管塞

81	8			SET SCREW M4x3mmL	止付螺絲
82	1	53451PA	P20-3968	ASSY, SC PIVOT ARM ADJUST	外調整管組
83	1	53477PA	P20-3967	ASSY, SC PIVOT ARM ADJUST TELESCOPE	內調整管組
84	1	5234801-A	P03-2019	SPACER	套管
85	1		P05-1209	GAS SHOCK	氣壓棒
86	1	5307001	P06-2289	PLASTIC SPACER	塑膠墊
87	1	5226801-A	P06-2130	ROUND END CAP	圓管內塞
88	1	5315601	P03-2757	PIVOT SHAFT	套管
89	1	5345101	P04-3605	PIVOT ARM ADJUST WELDMENT	外調整管
90	1	5297801-B	P11-0189	ADJUSTMENT PIN	彈簧插鞘組
91	1	5234301-B	P06-2131	SLEEVE	中管塞
92	1			SCREW, 10-32 X 5MM PAN HEAD W/NP	大扁頭十字螺絲#10-32x5MM 點耐落
93	1	5344701	P04-3604	SC PIVOT ARM ADJUST TELESCOPE	內調整管
94	1	5345001	P03-2566	SHAFT	鐵心
95	1	52102PA-B	P10-0777	15LB HEAD PLATE	上片組
96	1	5210901-A	P10-0781	SELECTOR STEM	選擇桿
97	1	5303701-A	P02-4395	LANYARD CLIP	卡片
98	1	5211301-A	P03-1946	BELT CLAMP	鐵心
99	1		P05-0187	CLEVIS PIN	彈簧鞘
100	1	5211201-B	P06-2134	BELT CLAMP HOUSING	塑膠塊
101	2	5218401-B	P06-2145	BUMPER	橡膠墊
102	1	5245301	P11-0183	WEIGHT STACK SELECTOR PIN	選擇桿插鞘組
103	2			BOLT, 3/8-16 X 1-3/4" (45mm) SOCKET HEAD W/NP	六角承窩螺絲 3/8"x1 3/4"L 點耐落
104	1	52180PA-C	P10-0780	7.5LB INC. WEIGHT	配重塊
105	1	5218101-A	P05-0991	PIN, 7.5LB INC. WEIGHT	插鞘桿
106	1	P46609-101	A05-1079	SPRING	壓縮彈簧
107	1	5244901-C	P06-2132	KNOB, 7.5LB INC. WEIGHT	插銷頭
108	1	5243801-C	P06-2152	TOWER CAP	塑膠蓋
109	1		P10-0098	BADGE	銘牌

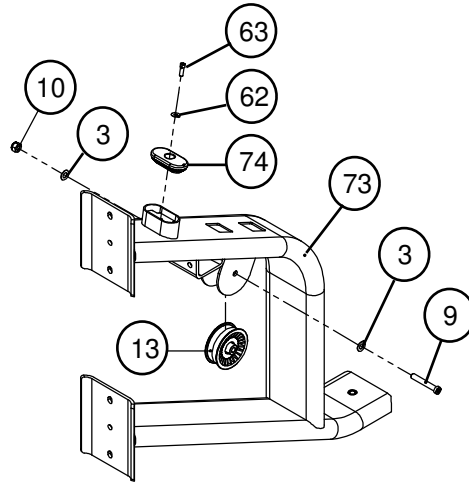




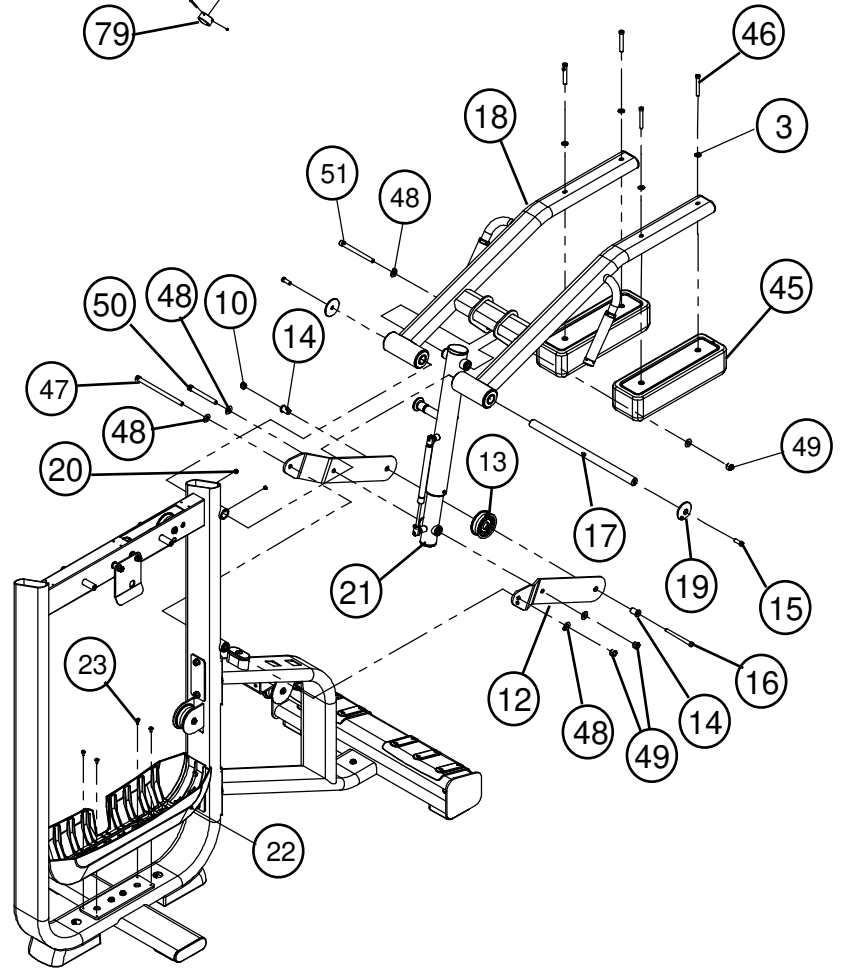
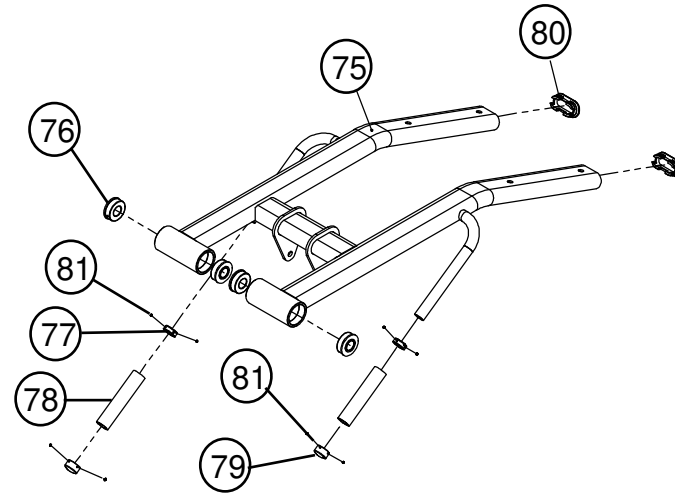
#2 P/N 53515PA
PTD ASSY, SC TOWER SUPPORT

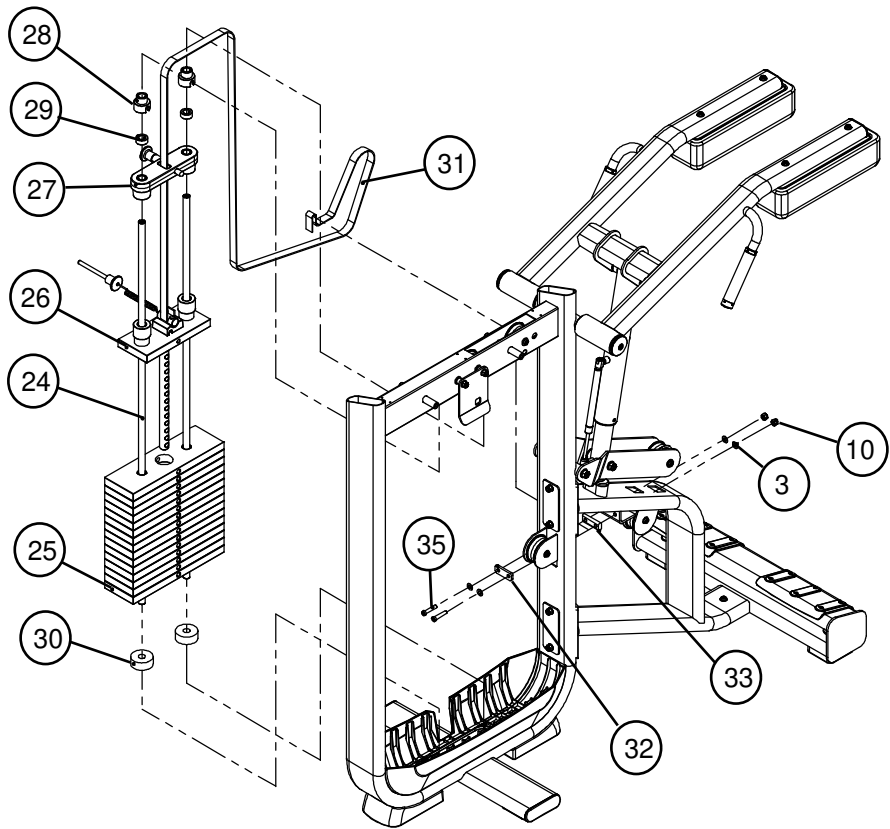


#6 P/N 53429PA PTD ASSY, SC FRAME

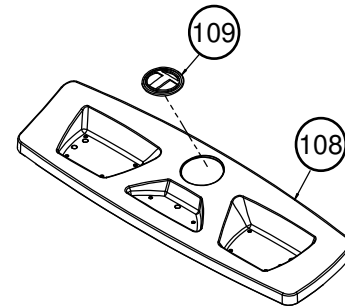


#18 P/N 53440PA PTD ASSY, SC PIVOT ARM

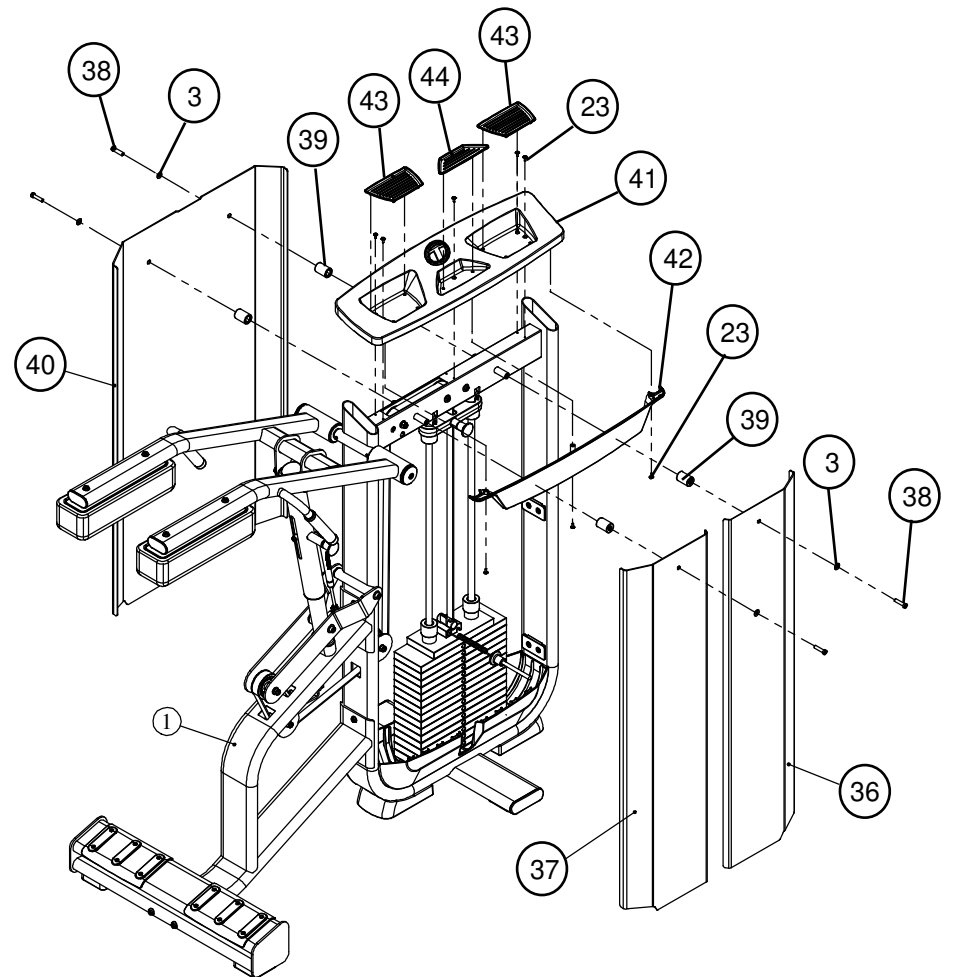
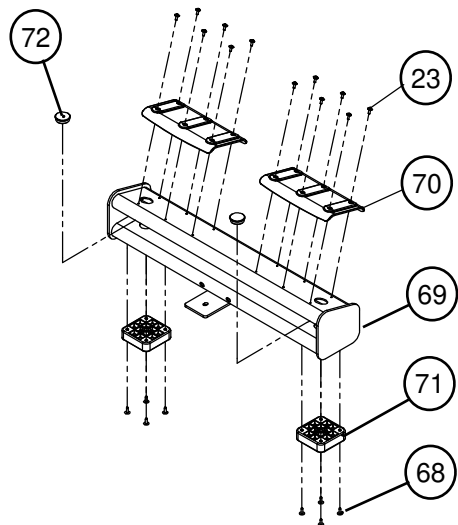




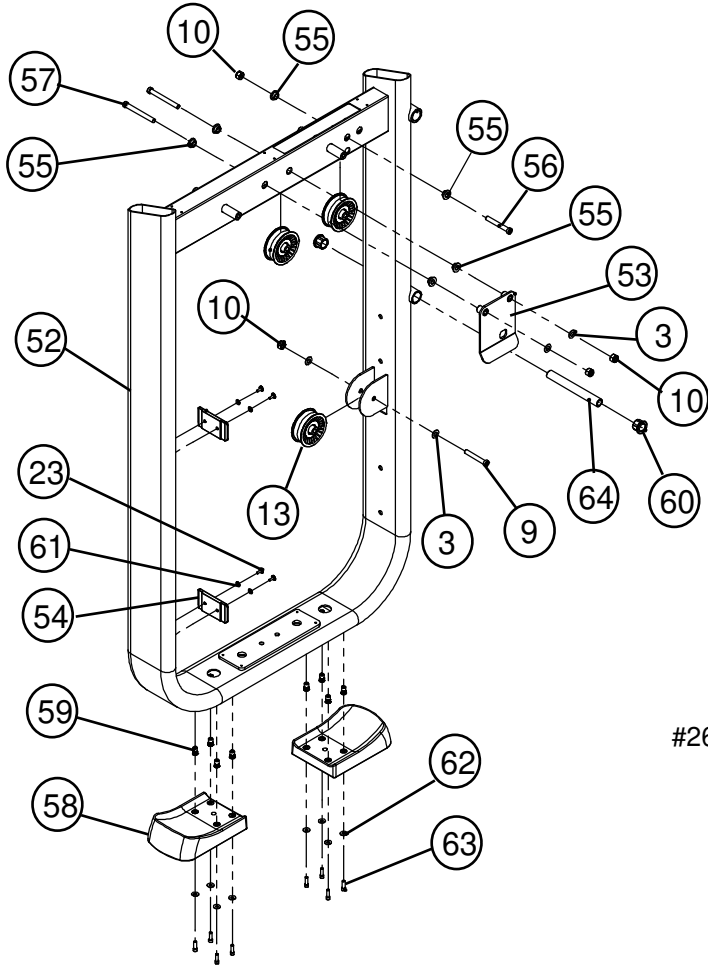
#41 P/N 5294601-A ASSY, TOWER CAP



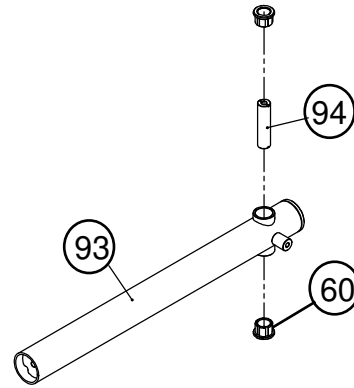
#5 P/N 53435PA PTD ASSY, SC STEP



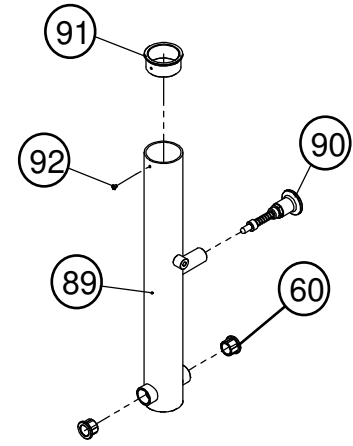
#1 P/N 53426PA PTD ASSY, SC TOWER



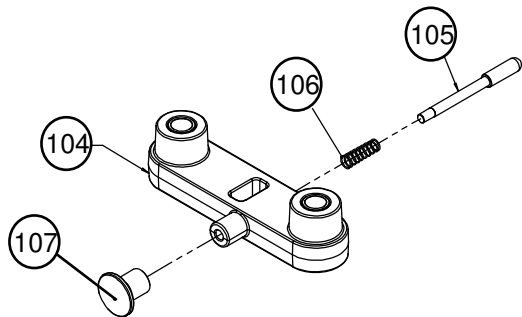
#83 P/N 53477PA
SC PIVOT ARM ADJUST TELESCOPE



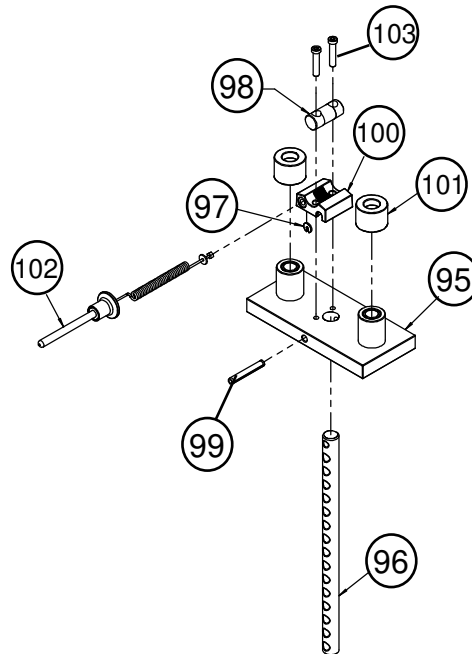
#82 P/N 53451PA ASSY, SC PIVOT ARM ADJUST



#27 P/N 5218201-D ASSY, 7.5LB INC. WEIGHT



#26 P/N 5250201-C ASSY, 15 PLATE HEAD PLATE



#21 P/N 5354501 ASSY, SC PIVOT ARM ADJUST

