

Инструкция

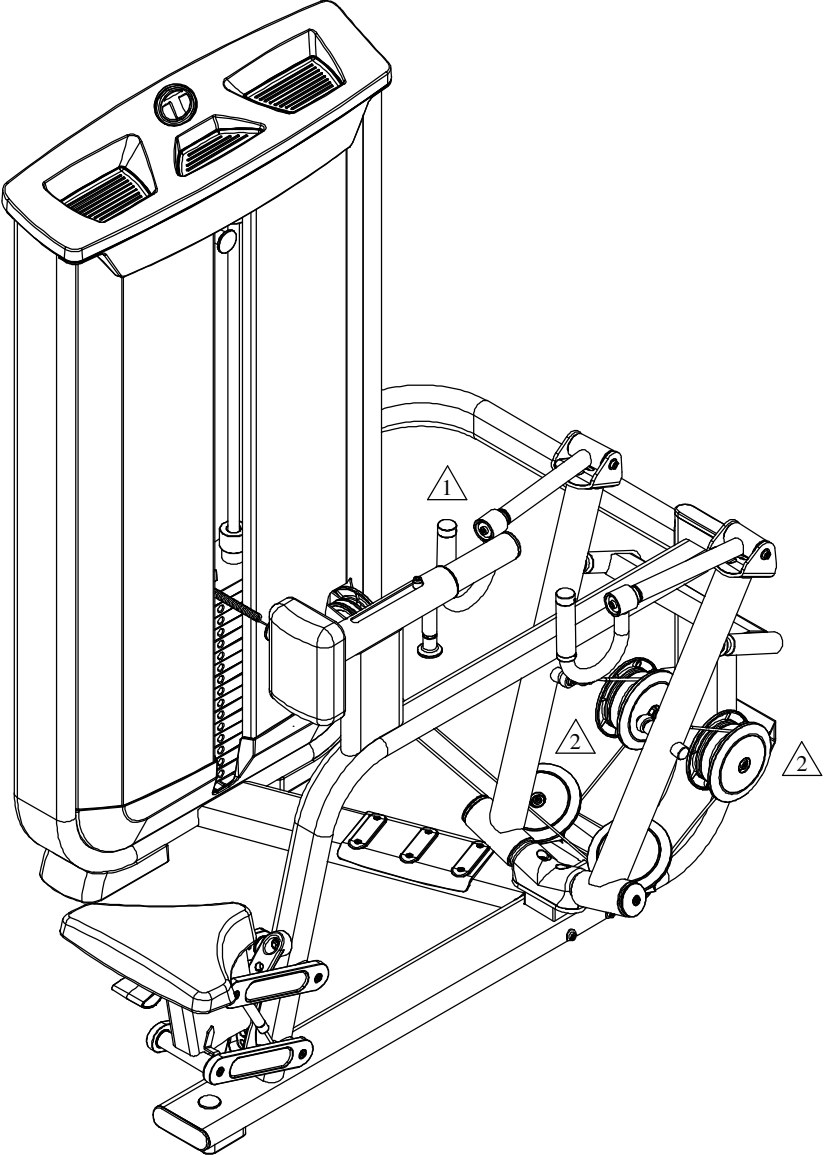
Горизонтальная тяга (гребная) Inotec NL4

Полезные ссылки:

[Горизонтальная тяга \(гребная\) Inotec NL4 - смотреть на сайте](#)

[Горизонтальная тяга \(гребная\) Inotec NL4 - читать отзывы](#)

SEATED ROW



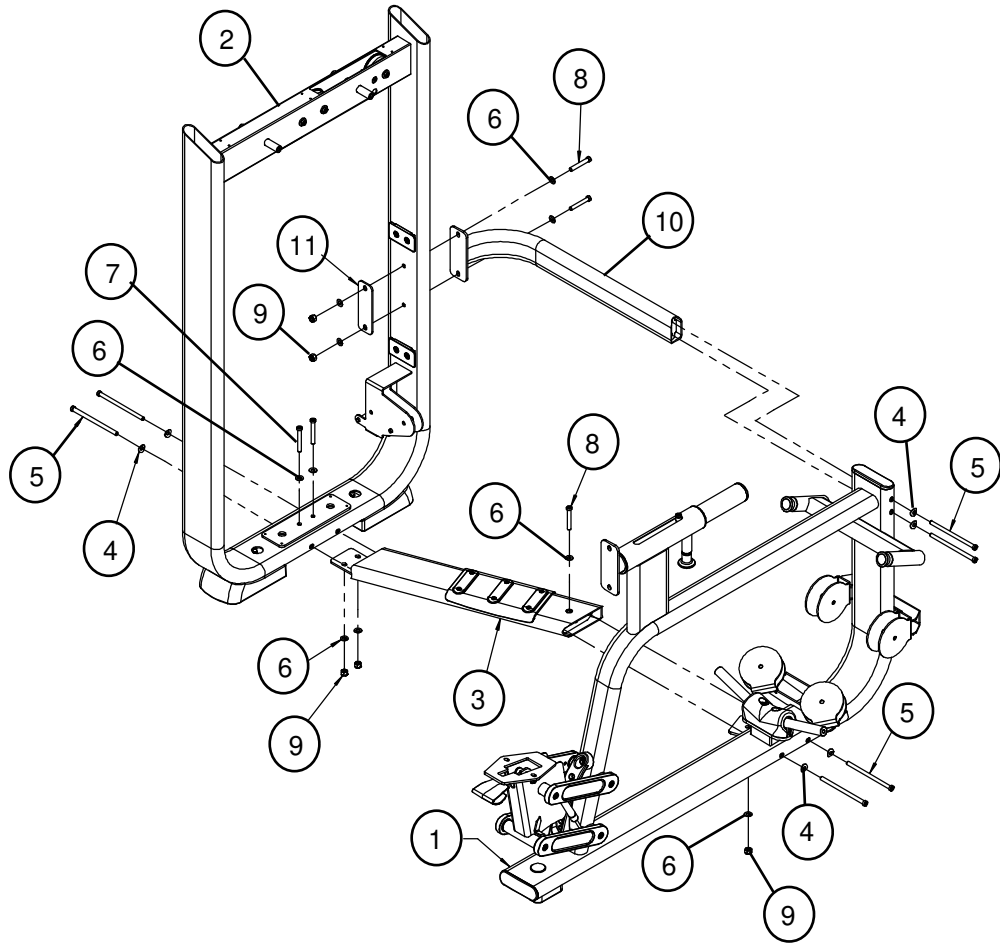
PARTS LIST

ITEM	QTY	PART NO	Paraong P/N	DESCRIPTION	Chinese Description
1	1	5298301-D	P20-3014	ASSY, SR MAIN FRAME	座墊調節管組
2	1	52486PA-A	P20-3011	ASSY, SR TOWER	主架固定管組
3	1	52337PA-A	P20-3015	PTD ASSY, SR-AB BASE CONNECTOR	連接管組
4	6	2003001		WASHER, 3/8" SAE CURVED	弧形華司
5	6	2006424		BOLT, 3/8-16 X 6-1/4" (159mm) SOCKET HEAD W/NP	六角承窩螺絲 3/8"x 6-1/4"L 點耐落
6	30	2001101		WASHER, FLAT 3/8 SAE ST ZN	平面華司20X10.5X1.0T
7	4	2005410		BOLT, 3/8-16 X 2-3/4" (70mm) SOCKET HEAD	六角承窩螺絲 3/8"x 2-3/4"L
8	3	2005409		BOLT, 3/8-16 X 2-1/2" (64mm) SOCKET HEAD	六角承窩螺絲 3/8"x 2-1/2"L
9	11	2001201		NUT, 3/8-16 LK ST ZN	尼龍螺帽3/8"-16x11T
10	1	5233901-A	P04-2856	WLDMT, SR-AB UPPER CONNECTOR	連接管組
11	1	5221401-A	P02-4251	PLATE, 50 X 155 X 4MM	固定片
12	2	52329PA-A	P20-3016	PTD ASSY, SR MAIN ARM	活動管組
13	2	5215101-A	P03-1947	SPACER, 25.5 ID X 31.8 OD X 20	套管
14	2	5215901-B	P05-0979	CAP, AL END 6205Z BEARING HOUSING	鋁蓋
15	6	2006403		BOLT, 3/8-16 X 1" (25mm) SOCKET HEAD W/NP	六角承窩螺絲 3/8"x1"L 點耐落
16	2	5297401-B	P20-3019	ASSY, SR SECONDARY ARM & SWIVEL HANDLE	活動把手組
17	1	5212601-C	P06-2151	COVER, TOWER BASE	塑膠底座
18	12	2004802		SCREW, 10-32 X 1/2" (12MM) PAN HEAD W/NP	大扁頭十字螺絲#10-32x1/2"L 點耐落
19	2	5209701-A	P01-3735	GUIDE ROD, 19 DIA X 1315	升降桿
20	15	52101PA-B	P10-0778	PTD ASSY, 15 LB WEIGHT PLATE	選擇片
21	1	5250201-C	P20-2989	ASSY, 15 PLATE HEAD PLATE	上片組
22	1	5218201-D	P20-2988	ASSY, 7.5LB INC. WEIGHT	配重塊組
23	2	5209801-A	P06-2144	BUSHING, GUIDE ROD RETAINER	升降桿護套
24	2	5095301-A	A05-0212	SHAFT COLLAR, GUIDE ROD	固定軸套組
25	2	5098201-A	P06-0034	CUSHION, WEIGHT STACK	緩衝墊
26	1	5224601-A	P17-0009	BELT, TOWER	滑輪皮帶
27	1	52245PA-A	P20-2991	PTD ASSY, BELT - 4.5 PULLEYS 90 DEG	輪座片組
28	2	5248501-A	P08-0121	SPACER, FLNG 16.2 X 10.1 X 6	T帽套管
29	1	5248401-A	P03-2026	SPACER, 16 OD X 10.1 ID X 36	套管
30	2	5208201-A	P02-4266	PLATE, BELT CLAMP	固定片
31	1	5297701-A		LABEL, WEIGHT STACK 15LBS	磅數表
32	2	2005404		BOLT, 3/8-16 X 1-1/4" (32mm) SOCKET HEAD	六角承窩螺絲 3/8"x1 1/4"L
33	1	5304001-A	P13-0296	CABLE ASSY, SR	低拉鋼索
34	5	5094501-B	P06-0961	PULLEY, 4-1/2 X 25	大滑輪
35	1	2005406		BOLT, 3/8-16 X 1-3/4" (45mm) SOCKET HEAD	六角承窩螺絲 3/8"x1 3/4"L
36	1	2005407		BOLT, 3/8-16 X 2" (51mm) SOCKET HEAD	六角承窩螺絲 3/8"x2"L
37	1	5212901-B	P10-0785	SHROUD, TOWER FRONT - LH	左前護網
38	1	5212801-B	P10-0784	SHROUD, TOWER FRONT - RH	右前護網
39	4	5213201-B	P06-2146	MOUNT, 19MM ID STANDOFF	橡膠墊
40	4	2005405		BOLT, 3/8-16 X 1-1/2" (38mm) SOCKET HEAD	六角承窩螺絲 3/8"x1 1/2"L

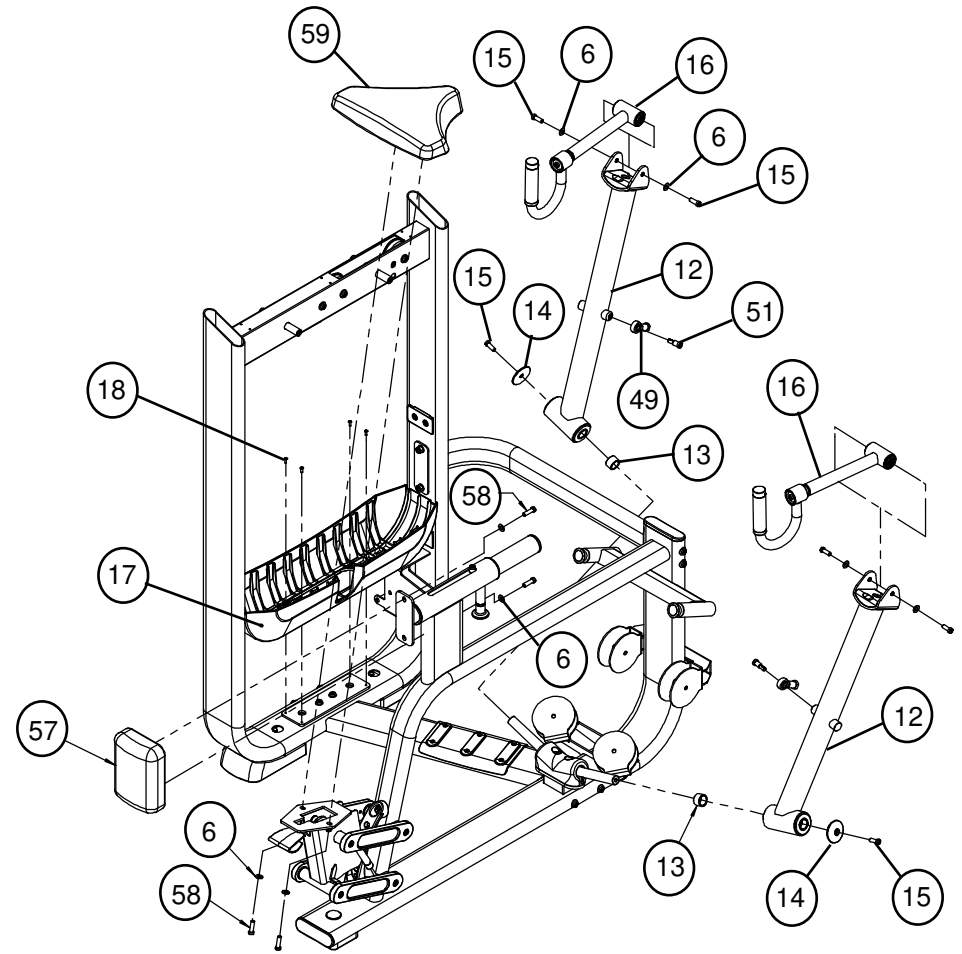
41	10	5214601-C	P06-2135	COVER, PULLEY 152MM DIA	護蓋
42	10	5217601-A	P06-2208	WASHER, RUBBER 19 ID X 25 OD X 3	墊片
43	10	5216301-A	P08-0165	SPACER, FLNG 16.2 X 10.2 X 7.5	T帽套管
44	2	5224101-A		PIN, 10 DIA X 35	
45	2	2006410		BOLT, 3/8-16 X 2-3/4" (70mm) SOCKET HEAD W/NP	六角承窩螺絲 3/8"x2 3/4"L 點耐落
46	2	5084101-A	P06-0961	PULLEY, 4-1/2 OD X 1-1/2 V-GROOVE	大V滑輪
47	2	5335501-A		PIN, 10 DIA X 48	
48	2	2006412		BOLT, 3/8-16 X 3-1/4" (83mm) SOCKET HEAD W/NP	六角承窩螺絲 3/8"x3 1/4"L 點耐落
49	2	5216401-A	P05-0977	ROD END, M-12 FEMALE	關節軸承
50	2	2005701		NUT, M12 JAM ST ZN	M12 螺帽
51	2	2006405		BOLT, 3/8-16 X 1-1/2" (38mm) SOCKET HEAD W/NP	六角承窩螺絲 3/8"x1 1/2"L 點耐落
52	1	5297001-A	P10-0783	ASSY, REAR SHROUD	后護網
53	1	5296201-A		ASSY, SR PLACARD	塑膠蓋含運動看板
54	1	5294601-A	P20-2990	ASSY, TOWER CAP	塑膠蓋組
55	2	5244001-A	P06-2153	TRAY, TOWER CAP - LARGE	橡膠墊
56	1	5244101-A	P06-2156	TRAY, TOWER CAP - SMALL	橡膠墊
57	1	5246601-A	P07-0433	PAD, CHEST	胸墊
58	4	2006404		BOLT, 3/8-16 X 1-1/4" (32mm) SOCKET HEAD W/NP	六角承窩螺絲 3/8"x1 1/4"L 點耐落
59	1	5246201-B	P07-0434	PAD, SMALL SEAT	座墊
60	1	5248601-A	P04-2854	SR TOWER WELDMENT	主架固定管
61	1	5223801-B	P04-2813	PLATE, LIMIT	限位片組
62	4	5213001-A	P06-2143	CUSHION, SHROUD HOLDER	緩衝墊
63	2	5293901-B	P06-2254	FOOT, TOWER	腳墊
64	2	5203801-A	A06-0231	BELT PULLEY	平皮帶滑輪
65	2			BOLT, 3/8-16 X 3-1/2" (89mm) SOCKET HEAD	六角承窩螺絲 3/8"x 3-1/2"L
66	8			WASHER, FLAT 12 X 5.2 X1.0T	平面華司12X5.2X1.0T
67	8			AVK INSERT	拉帽
68	8	2006503		BOLT, 1/4-20 X 3/4" (19mm) SOCKET HEAD W/NP	六角承窩螺絲 1/4"x 3/4"L 點耐落
69	8			WASHER, FLAT 16 X 6.5 X 1.0T	平面華司16X6.5X1.0T
70	1	52319PA-C	P20-3012A	SUB ASSY, SR MAIN FRAME	固定立管組
71	1	5231901-C	P04-2855	SR MAIN FRAME WELDMENT	固定立管
72	1	5205501-A	P05-0962	ADJUSTMENT, SEAT	調整塊
73	1		P06-0134	PLUG	扣塞
74	1	5205401-A	P06-2129	END CAP, FLATOVAL	橢圓管塞
75	2	5234301-B	P06-2131	SLEEVE	中管塞
76	1	5214501-A	P06-2141	COVER, PIVOT	固定座
77	1	5213101-B	P06-2147	Main Frame Foot Pad	腳墊
78	2	5205601-A	P06-2255	ADJUSTER, SP PRESS ARM	緩衝墊
79	1	5294101-A	P06-2256	LEVELER	腳墊
80	4		P08-0048	BUSHING, 25.55X19.05X16 FLANGE BRONZE	含油軸承
81	1	5297801-B	P11-0189	ADJUSTMENT PIN	彈簧插鞘組
82	2			NUT, 3/8-16 X 7.2T, LK ST ZN	尼龍螺帽3/8"-16x7.2T

83	2			SCREW, 10-32 X 5MM PAN HEAD W/NP	大扁頭十字螺絲#10-32x5MM 點耐落
84	4			RIVET	拉釘
85	1	52341PA-B	P20-3013	CHEST ADJUSTMENT	內調整管組
86	1	52058PA-A	P20-2992	ASSY, SEAT HOUSING	座墊固定片組
87	1	52062PA-A	P20-2993	ASSY, SEAT HANDLE	連接片組
88	2	5206701-A	P02-4250	PLATE, SEAT HANDLE	固定片
89	1	5280301-A	P02-4253	INDICATOR, SEAT ADJUSTMENT	標示片
90	2	5205301-A	P03-1949	SHAFT, SEAT ADJUSTMENT	鐵心
91	2	5234801	P03-2019	BUSHING, STOP	套管
92	1		P05-0011	SPRING	彈簧
93	1		P05-0438	NUT, JAM	調整螺帽
94	1	5206601-B	P05-0975	PIN	插鞘桿
95	2	5246401-A	P05-0976	GAS CYLINDER	氣壓缸
96	2	20039-A	P05-0986	SHOULDER BOLT	限位螺絲
97	1	5218501-C	P06-2138	KNOB, PLASTIC, SEAT	手柄
98	4	5246301-D	P06-2154	PLATE, SEAT	連接片
99	2			NUT, 1/4-20 X 8.0T, LK ST ZN	尼龍螺帽 1/4"-20x8.0T
100	1	52180PA-C	P10-0780	7.5LB INC. WEIGHT	配重塊
101	1	5218101-A	P05-0991	PIN, 7.5LB INC. WEIGHT	插鞘桿
102	1	P46609-101	A05-1079	SPRING	壓縮彈簧
103	1	5244901-C	P06-2132	KNOB, 7.5LB INC. WEIGHT	插銷頭
104	1	52102PA-B	P10-0777	15LB HEAD PLATE	上片組
105	1	5210901-A	P10-0781	SELECTOR STEM	選擇桿
106	1	5303701-A	P02-4395	LANYARD CLIP	卡片
107	1	5211301-A	P03-1946	BELT CLAMP	鐵心
108	1		P05-0187	CLEVIS PIN	彈簧鞘
109	1	5211201-B	P06-2134	BELT CLAMP HOUSING	塑膠塊
110	2	5218401-B	P06-2145	BUMPER	橡膠墊
111	1	5245301	P11-0183	WEIGHT STACK SELECTOR PIN	選擇桿插鞘組
112	2			BOLT, 3/8-16 X 1-3/4" (45mm) SOCKET HEAD 點耐落	六角承窩螺絲 3/8"x1 3/4"L
113	1	5206201-A	P04-2827	SEAT HANDLE WELDMENT	連接片焊接件
114	1	5205801-A	P04-2819	SEAT HOUSING WELDMENT	座墊固定片焊接件
115	1	5206201-A	P04-2827	SEAT HANDLE WELDMENT	連接片焊接件
116	2		P08-0156	BUSHING	含油軸承
117	1	5233701-A	P04-2857	SR-AB BASE CONNECTOR	連接管
118	1	5226901-A	P06-2136	TREAD COVER	腳墊
119	1	5243801-C	P06-2152	TOWER CAP	塑膠蓋
120	1		P10-0098	BADGE	銘牌
121	2	52332PA-B	P20-3017	ASSY, SR SECONDARY ARM	把手管組
122	2	5233201-B	P04-2859	SR SECONDARY ARM	把手管
123	2	5234601-A	P03-1964	SHAFT	鐵心
124	4		P05-0115	FLANGE BEARING	法蘭培林

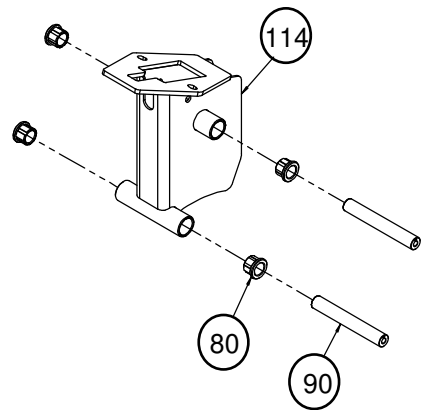
125	2	52973PA-B	P20-3018	ASSY, SWIVEL HANDLE	活動把手組
126	2	5297301-B	P04-2860	SWIVEL HANDLE	活動把手
127	2	5095701-B	P05-1001	ALUMINUM CAP	鋁蓋
128	2	5095601-B	P05-1002	COLLAR	固定軸套
129	2	5234701-A	P06-2217	HAND GRIP	把手套
130	2		P08-0037	BUSHING	含油軸承
131	8			SET SCREW M4x3mmL	止付螺絲
132	2			WASHER, FLAT 3/8ID X 1-3/16OD SAE ST ZN	平面華司30X10.5X2.5T
133	1	5297601-A	P05-1012	ROLLER BEARING	滾子軸承
134	1	5234101-B	P04-2861	CHEST ADJUSTMENT	內調整管
135	1		P06-0349	ROUND END CAP	圓管內塞
136	2	5232901-A	P04-2858	SR MAIN ARM	活動管
137	4		P05-0204	FLANGE BEARING	法蘭培林
138	2	5245901-B	P06-2142	CUSHION	橡膠墊



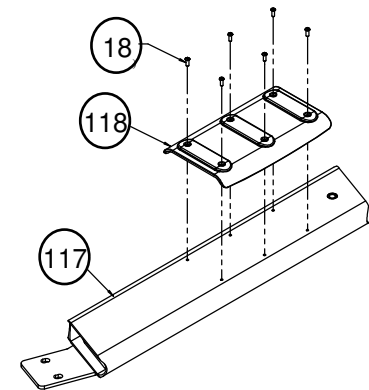
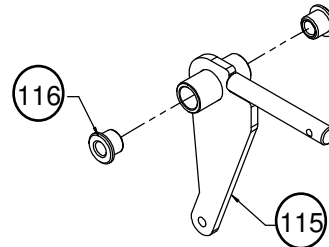
#86 P/N 52058PA-A SEAT HOUSING ASSY

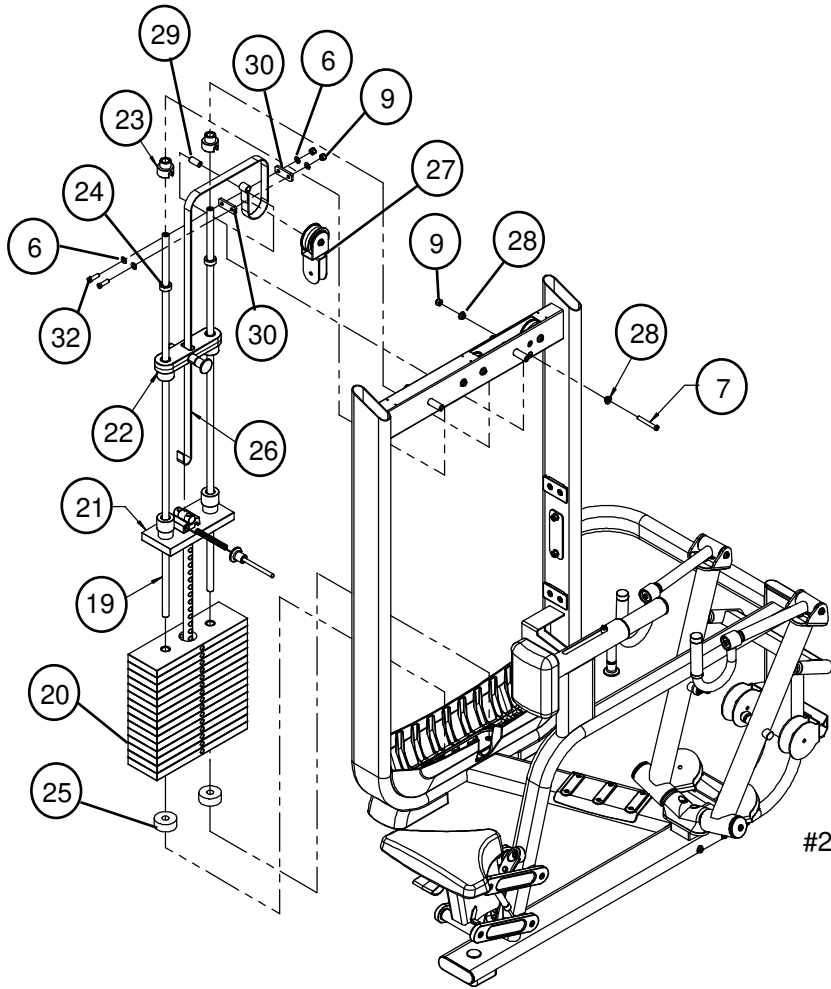


#3 P/N 52237PA-A PTD ASSY, SR-AB BASE CONNECTOR

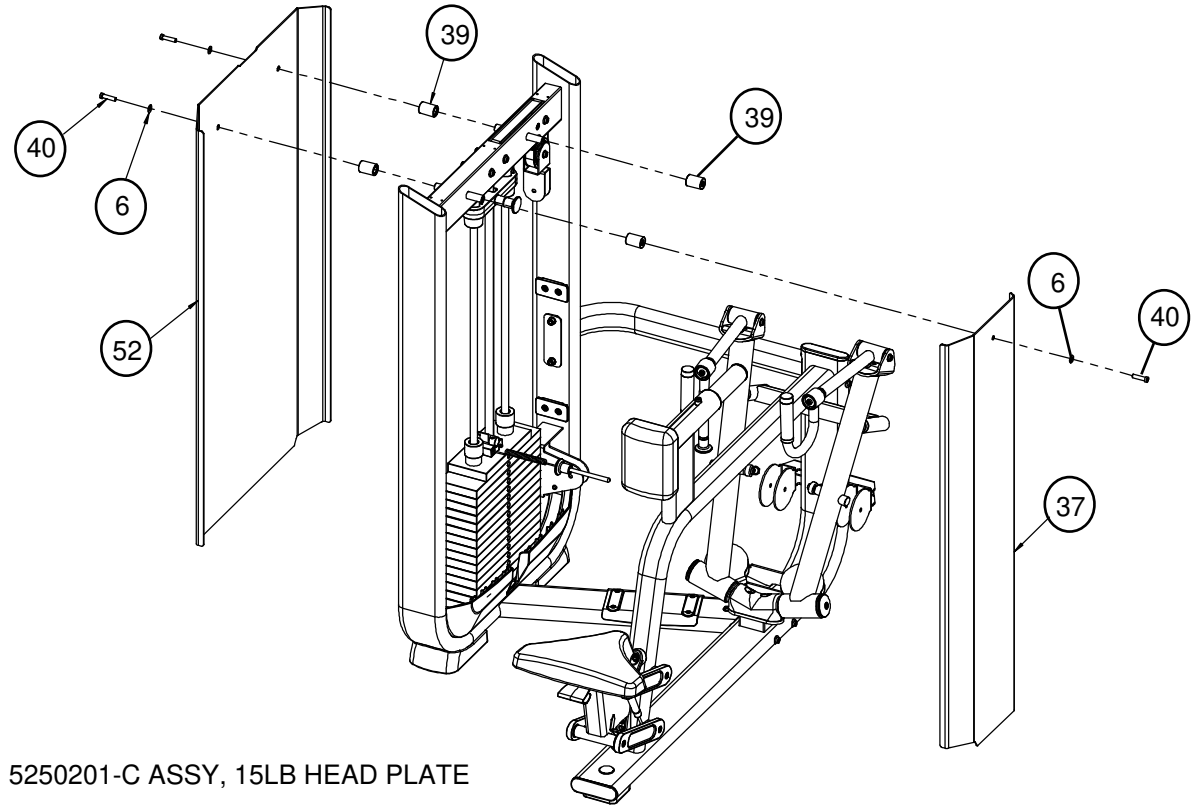
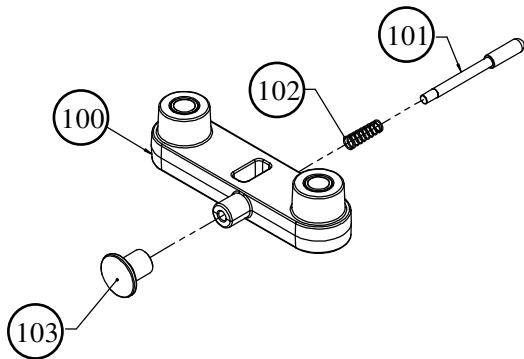


#87 P/N 52062PA-A SEAT HANDLE ASSY



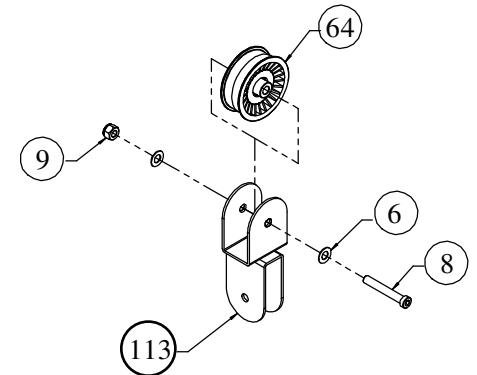
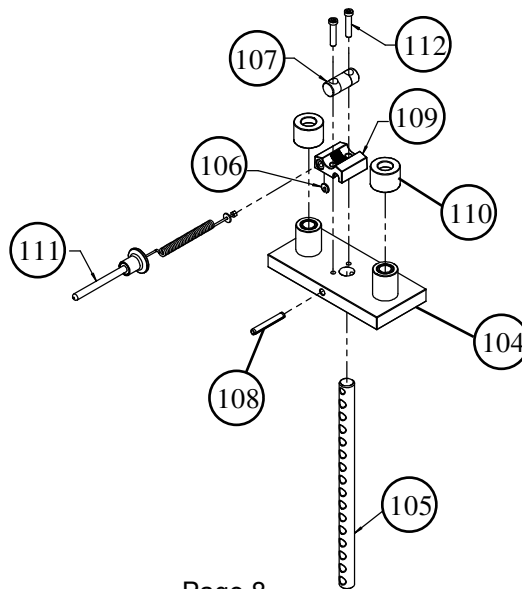


#22 P/N 5218201-D ASSY, 7.5LB INC. WEIGHT

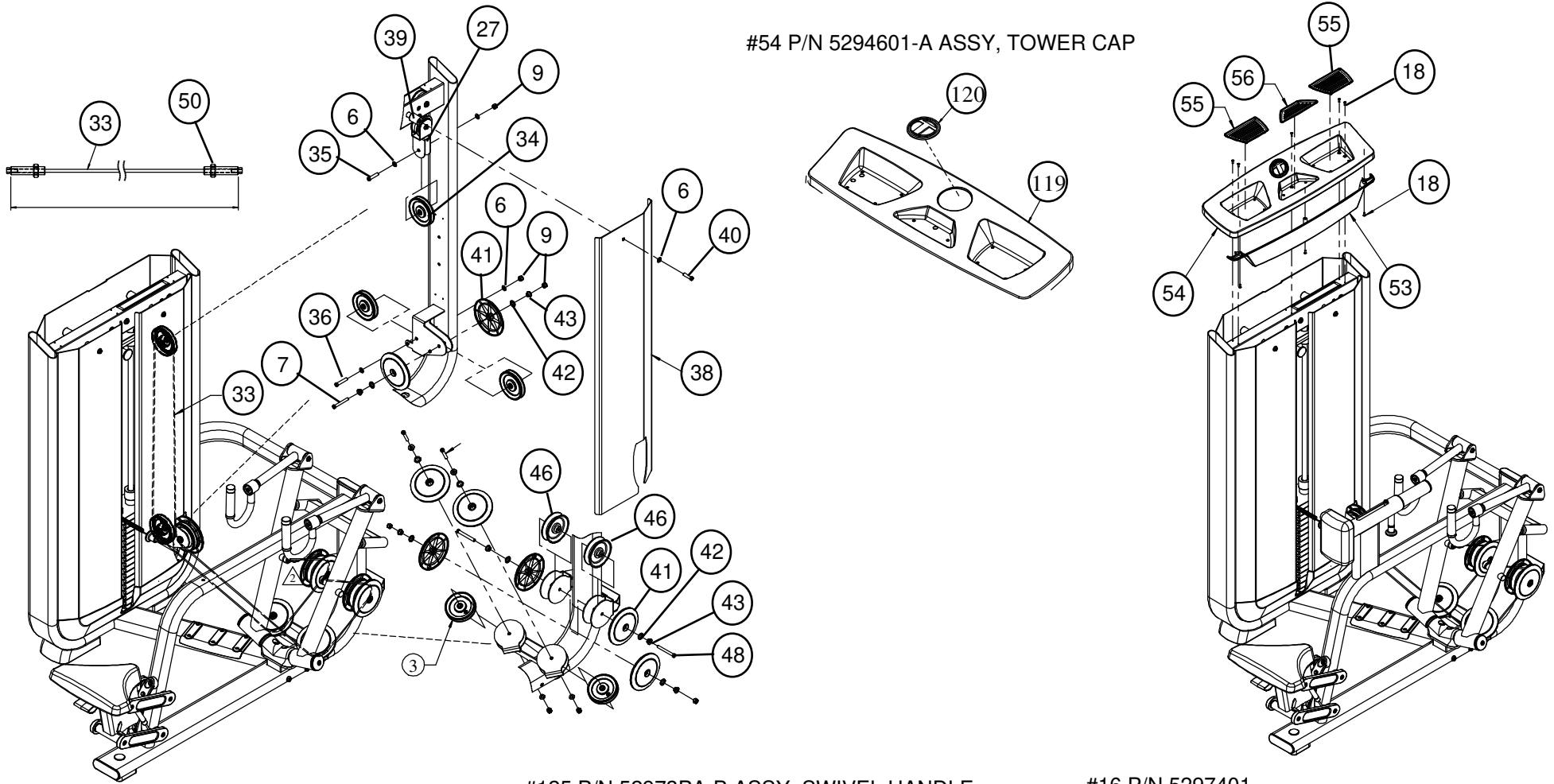


#21 P/N 5250201-C ASSY, 15LB HEAD PLATE

#27 P/N 52245PA-A PTD ASSY, BELT-4.5 PULLEY



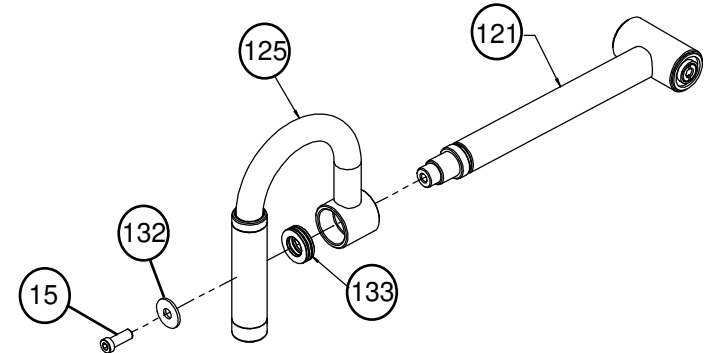
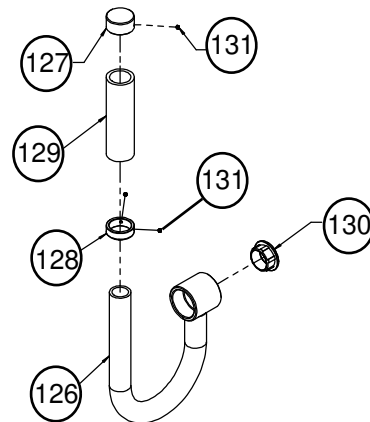
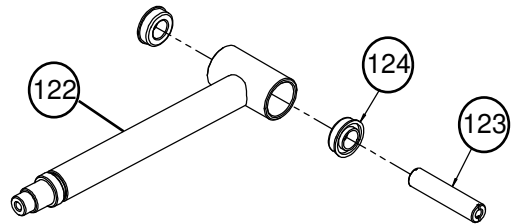
#54 P/N 5294601-A ASSY, TOWER CAP



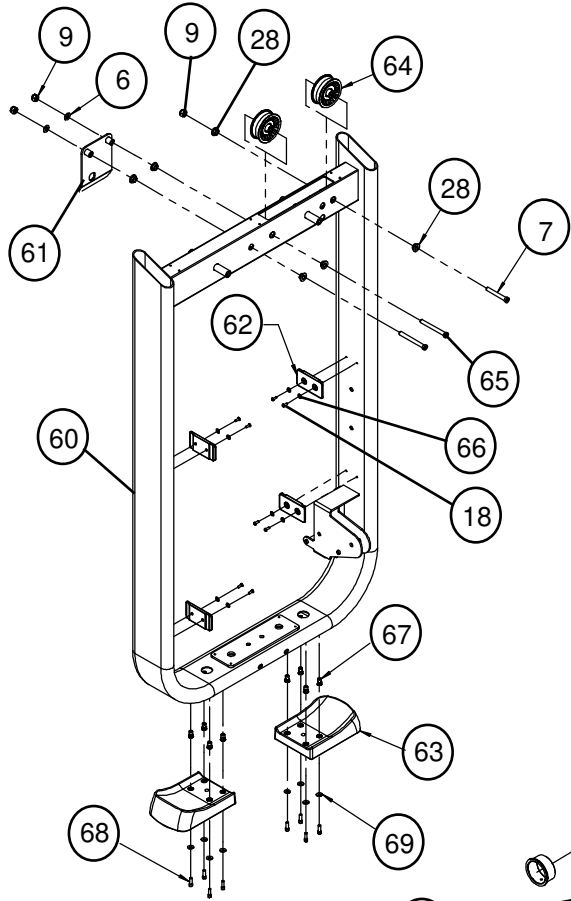
#125 P/N 52973PA-B ASSY, SWIVEL HANDLE

#16 P/N 5297401 ASSY, SR SECONDARY ARM & SWIVEL HANDLE

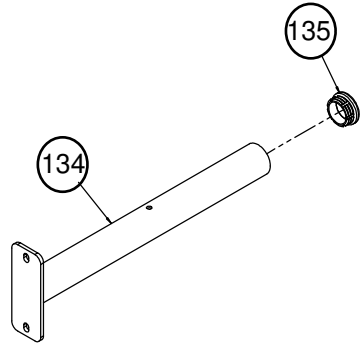
#121 P/N 52332PA-B ASSY, SR SECONDARY ARM



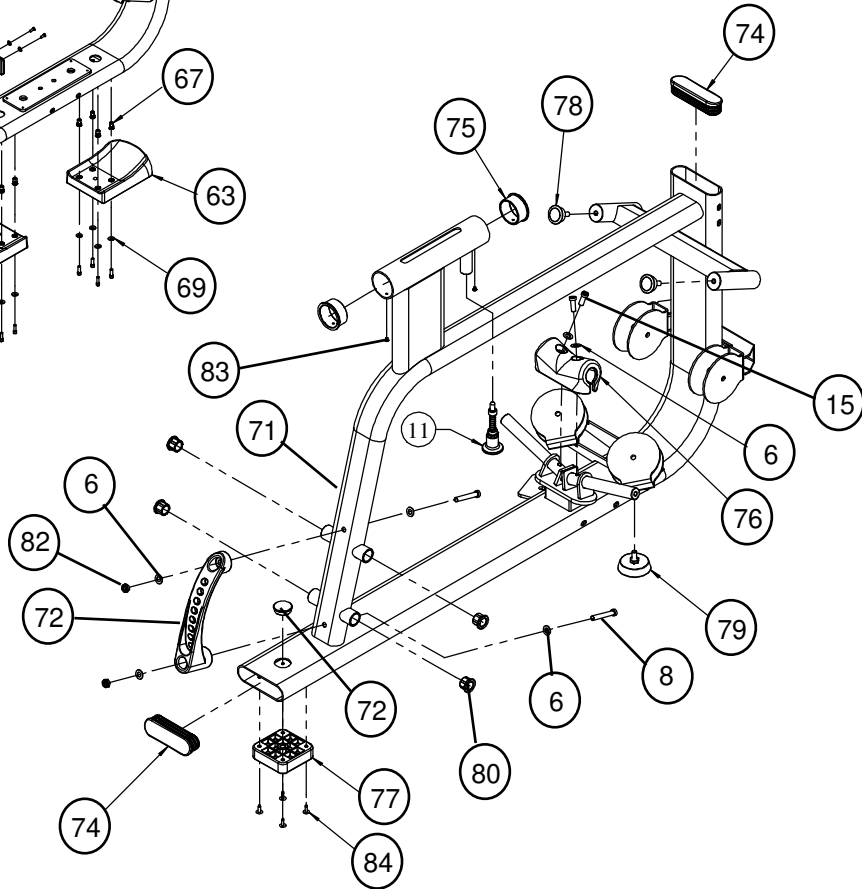
#2 P/N 52486PA-A ASSY, SR TOWER



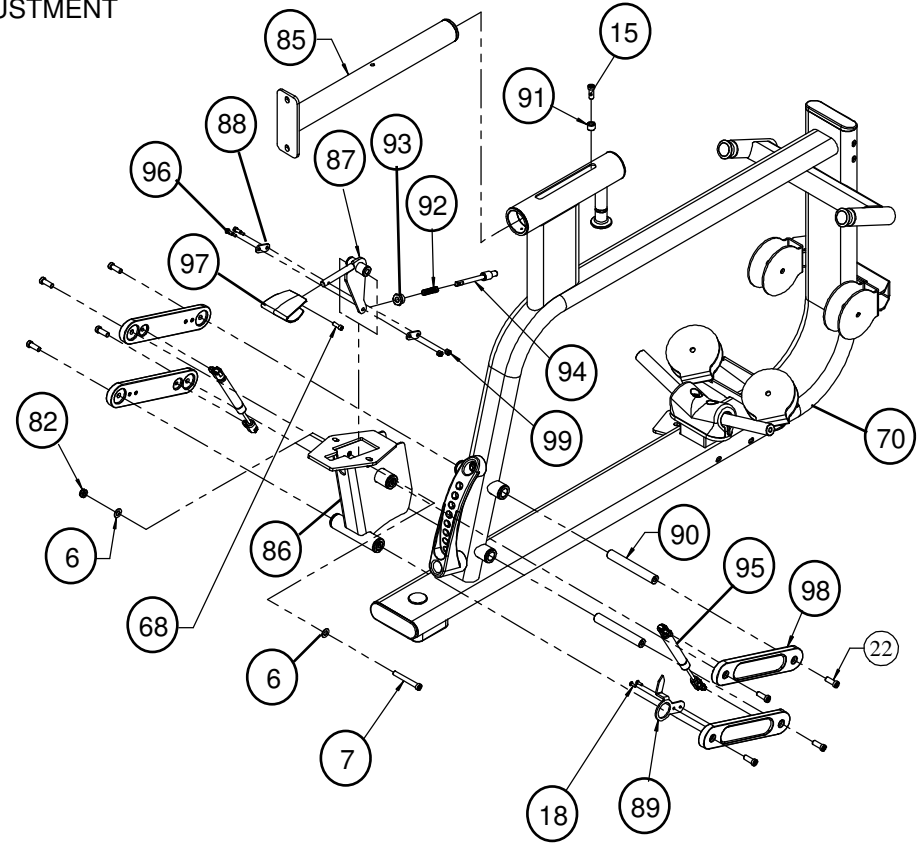
#85 P/N 52341PA-B ASSY, CHEST ADJUSTMENT



#70 P/N 52319PA-C SUB ASSY, SR MAIN FRAME



#1 P/N 5298301-D ASSY, SR MAIN FRAME



#12 P/N 52329PA-A PTD ASSY, SR MAIN ARM

