

Инструкция

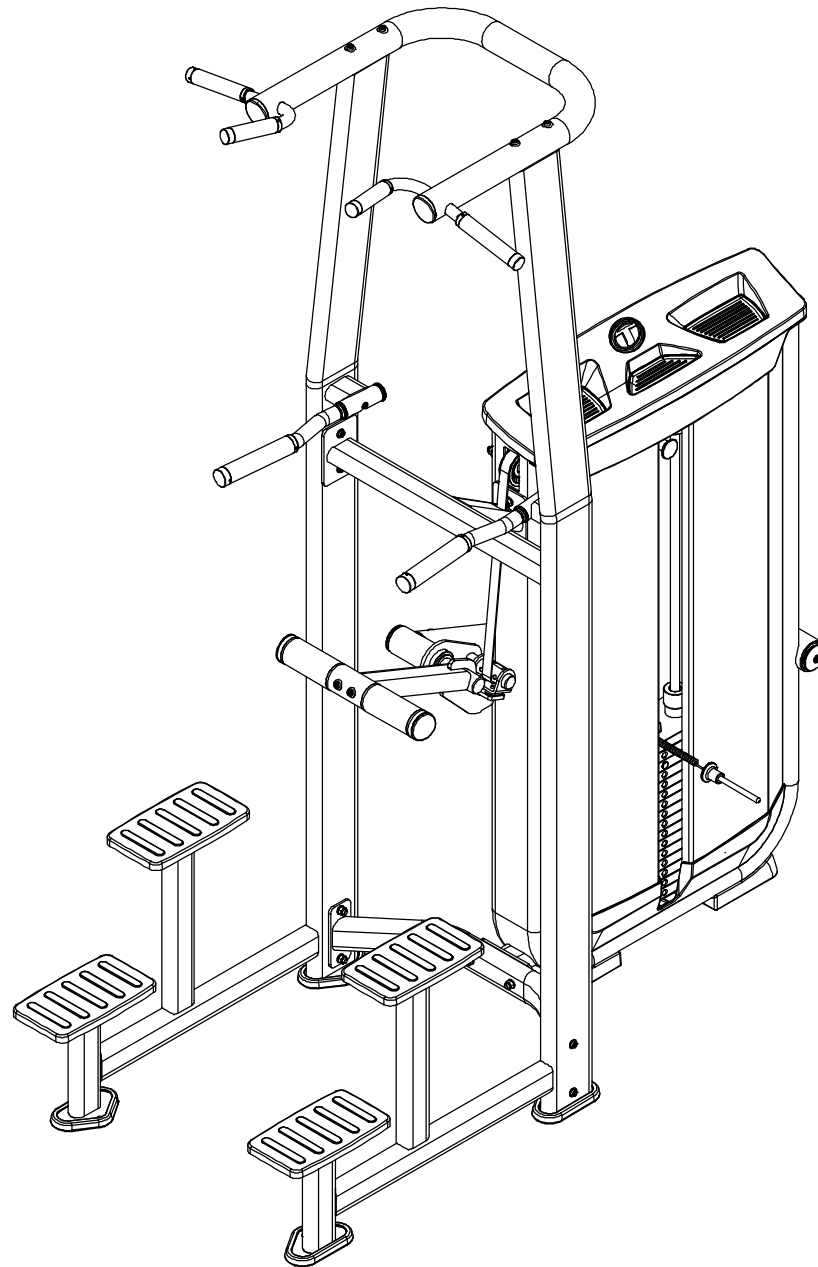
Гравитрон Inotec NL15

Полезные ссылки:

[Гравитрон Inotec NL15 - смотреть на сайте](#)

[Гравитрон Inotec NL15 - читать отзывы](#)

ASSIST CHIN-DIP

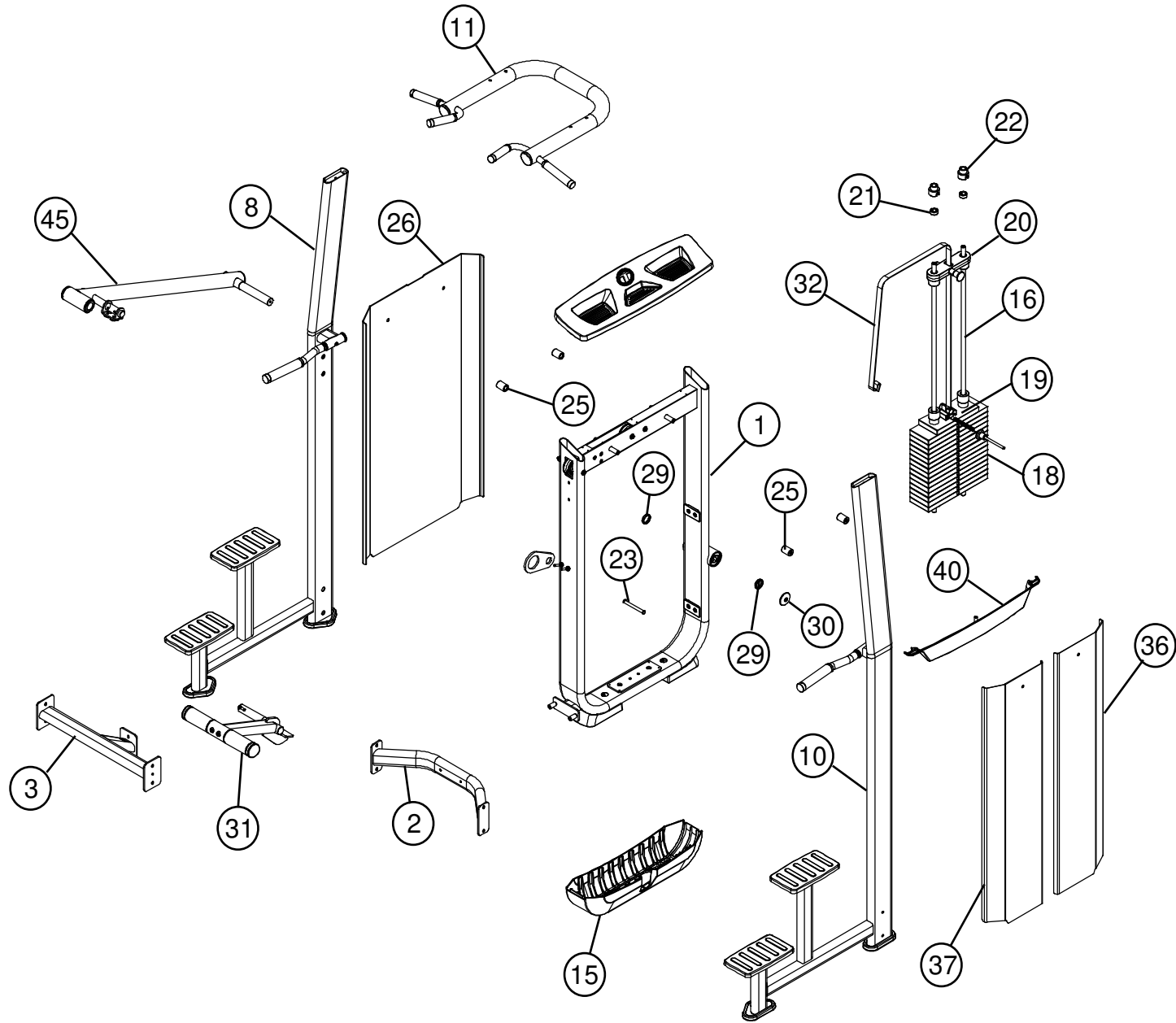


PARTS LIST

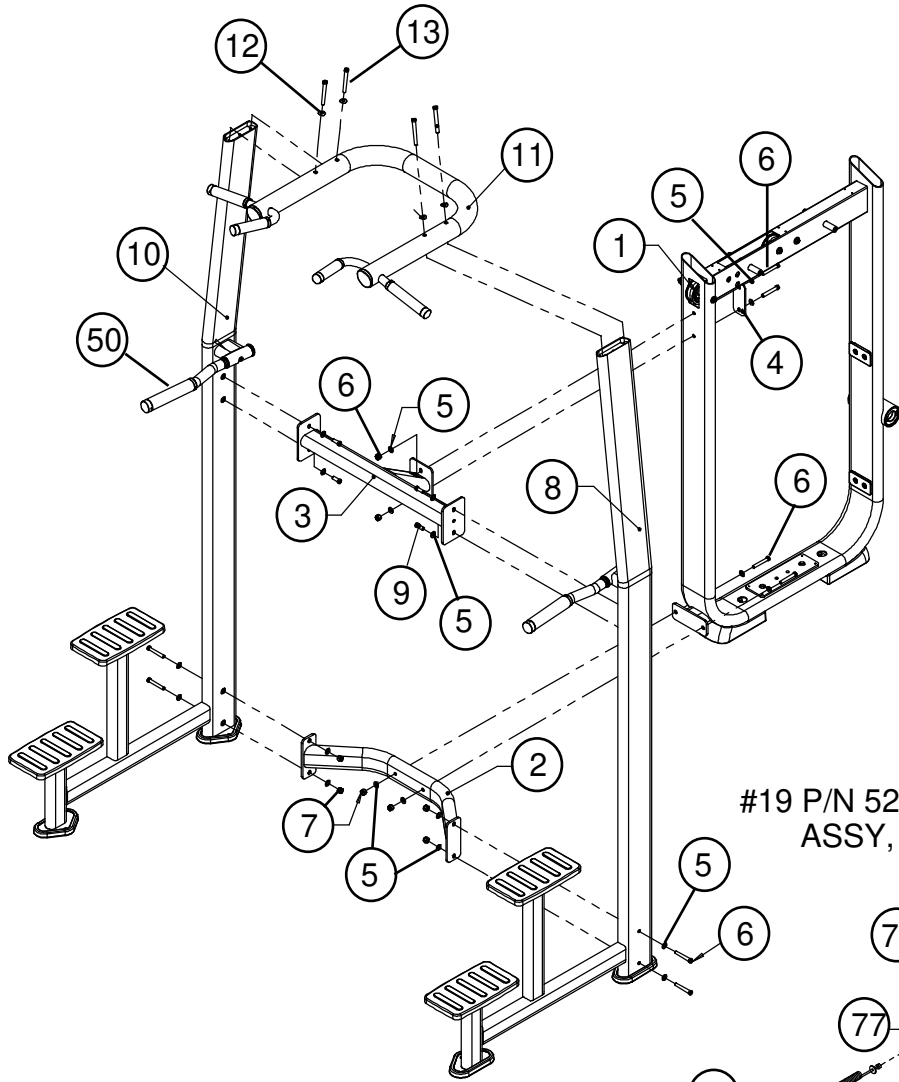
ITEM	QTY	PART NO	Paraong P/N	DESCRIPTION	Chinese Description
1	1	53701PA	P20-3992	PTD ASSY, ACD TOWER	主架固定管組
2	1	5370701	P04-3617	WLDMT, ACD LOWER SUPPORT	連接管組
3	1	53704PA	P04-3620	PTD ASSY, ACD UPPER SUPPORT	連接管組
4	1	5285001-A	P02-4389	PLATE, 50 X 120 X 4MM	連接片
5	26	2001101		WASHER, FLAT 3/8 SAE ST ZN	平面華司20x10.5x1.0t
6	8	2005409		BOLT, 3/8-16 X 2-1/2" (64mm) SOCKET HEAD	六角承窩螺絲 3/8"-16x 2 1/2"L
7	8	2001201		NUT, 3/8-16 LK ST ZN	尼龍螺帽 3/8"-16X11T
8	1	53710PA		PTD ASSY, ACD LEFT SIDE FRAME	固定立管組左
9	6	2006403		BOLT, 3/8-16 X 1" (25mm) SOCKET HEAD W/NP	六角承窩螺絲 3/8"-16x 1"L 點耐落
10	1	53711PA		PTD ASSY, ACD RIGHT SIDE FRAME	固定立管組右
11	1	53718PA	P20-3996	PTD ASSY, ACD CHIN-UP	上固定管組
12	4	2003001		WASHER, 3/8" SAE CURVED	弧形華司
13	4	2006413		BOLT, 3/8-16 X 3-1/2" (89mm) SOCKET HEAD W/NP	六角承窩螺絲 3/8"-16x 3-1/2"L 點耐落
14	1	5212601	P06-2151	COVER, TOWER BASE	塑膠底座
15	12	2004802		SCREW, 10-32 X 1/2" (12MM) PAN HEAD W/NP	大扁頭十字螺絲#10-32x1/2"L 點耐落
16	2	5209701-A	P01-3735	GUIDE ROD, 19 DIA X 1315	升降桿
17	2	5098201	P06-0034	CUSHION, WEIGHT STACK	橡膠墊
18	15	52101PA-B	P10-0778	PTD ASSY, 15 LB WEIGHT PLATE	選擇片
19	1	5250201-C	P20-2989	ASSY, 15 PLATE HEAD PLATE	上片組
20	1	5218201-D	P20-2988	ASSY, 7.5LB INC. WEIGHT	配重塊組
21	2	5095301	A05-0212	SHAFT COLLAR, GUIDE ROD	固定軸套
22	2	5209801	P06-2144	BUSHING, GUIDE ROD RETAINER	升降桿護套
23	1	5282301-A	P05-1003	PIN, WEIGHT PLATE LOCKING	插銷
24	1	2002801		E-RING, EXTERNAL 8MM ID	E型扣 ETW-9
25	4	5213201-B	P06-2146	MOUNT, 19MM ID STANDOFF	橡膠套
26	1	5297001	P10-0783	ASSY, REAR SHROUD	后護蓋
27	4	2005405		BOLT, 3/8-16 X 1-1/2" (38mm) SOCKET HEAD	六角承窩螺絲 3/8"-16x 1 1/2"L
28	1	54550PA	P20-3997	PTD ASSY, ACD LIFT ARM	活動管組
29	2	5349201	P03-2181	SPACER, 35 ID X 45 OD X 8	套管
30	2	5215901	P05-0979	CAP, AL END 6205Z BEARING HOUSING	鋁蓋
31	1	54554PA	P20-3995	PTD ASSY, ACD FOOT SUPPORT	活動管組
32	1	5373501	P17-0019	BELT, ACD	皮帶
33	1	5209501-A	P02-4387	PLATE, BELT WRAP	固定片
34	1	5208201-A	P02-4266	PLATE, BELT CLAMP	固定片
35	2	2006406		BOLT, 3/8-16 X 1-3/4" (45mm) SOCKET HEAD W/NP	六角承窩螺絲 3/8"-16x 1 3/4"L 點耐落
36	1	5248901-A	P10-0807	SHROUD, TOWER FRONT N/O	前護網右
37	1	5212901-B	P10-0785	SHROUD, TOWER FRONT - LH	前護網左
38	1	5297701		LABEL, WEIGHT STACK 15LBS	磅數表
39	1	5294601-A	P20-2990	ASSY, TOWER CAP	塑膠蓋組

40	1	5373301		ASSY, ACD PLACARD	塑膠蓋含運動看板
41	1	5244101	P06-2156	TRAY, TOWER CAP - SMALL	橡膠墊
42	2	5244001	P06-2155	TRAY, TOWER CAP - LARGE	橡膠墊
43	1	5371801	P04-3621	ACD CHIN UP WELDMENT	上固定管焊接件
44	2	5351401	P06-2789	HAND GRIP	把手套
45	4	5095601-B	P05-1002	COLLAR	固定軸套
46	4	5095701-B	P05-1001	ALUMINUM CAP	鋁蓋
47	2	5234701-A	P06-2217	HAND GRIP, VERTICAL	把手套
48	2	5226801-A	P06-2130	ROUND END CAP	圓管內塞
49	16			SET SCREW M4x3mmL W/NP	止付螺絲 點耐落
50	2		P20-3059	DIP HANDLE ASSEMBLY	把手管組
51	2	5231201-A	P04-2869	DIP HANDE WELDMENT	把手管焊接件
52	2	5096301-B	P05-0997	ALUMIMUM COLLAR	鋁環
53	2	5208801-A	P06-2216	HAND GRIP	把手套
54	2	5096601-B	P05-0996	ALUMINUM CAP	鋁蓋
55	1	5455001	P04-3622	ACD LIFT ARM WELDMENT	活動管焊接件
56	2	5355301	P08-0207	BUSHING	含油軸承
57	2		P06-0014	BUMPER	緩衝墊
58	1	5226801-A	P06-2130	ROUND END CAP	圓管內塞
59	1	5455401	P04-3623	ACD FOOT SUPPORT WELDMENT	活動管焊接件
60	1	5372801	P03-2579	ACD FOOT	固定套管
61	1	5370101	P04-3616	ACD TOWER WELDMENT	主架固定管焊接件
62	2	5293901-B	P06-2254	FOOT, TOWER	腳墊
63	2	5203801-A	A06-0231	BELT, PULLEY	平皮帶滑輪
64	4	5213001-A	P06-2143	CUSHION, SHROUD HOLDER	緩衝墊
65	6	5248501-A	P08-0121	SPACER, FLNG 16.2 X 10.1 X 6	T 帽套管
66	8			WASHER, FLAT 12mm X 5.2mm SAE ST ZN	平面華司 12x5.2
67	2			BOLT, 3/8-16 X 3-1/2" (76mm) SOCKET HEAD	六角承窩螺絲 3/8" x 3 1/2"L
68	8			AVK INSERT	拉帽
69	8			WASHER, FLAT 16mm X 6.5mm SAE ST ZN	平面華司 16x6.5
70	8	2006503		BOLT, 1/4-20 X 3/4" (19mm) SOCKET HEAD W/NP	六角承窩螺絲 1/4" x 3/4"L 點耐落
71	2			6007ZZ BEARING	培林
72	2		P08-0196	BUSHING	含油軸承
73	1			BOLT, 3/8-16 X 6-1/4" (159mm) SOCKET HEAD	六角承窩螺絲 3/8" x 6 1/4"L
74	1	5223801-B	P04-2813	PLATE, LIMIT	限位片組
75	1	52102PA-B	P10-0777	15LB HEAD PLATE	上片
76	1	5210901-A	P10-0781	SELECTOR STEM	選擇桿
77	1	5303701-A	P02-4395	LANYARD CLIP	卡片
78	1	5211301-A	P03-1946	BELT CLAMP	鐵心
79	1		P05-0187	CLEVIS PIN	彈簧鞘
80	1	5211201-B	P06-2134	BELT CLAMP HOUSING	塑膠塊

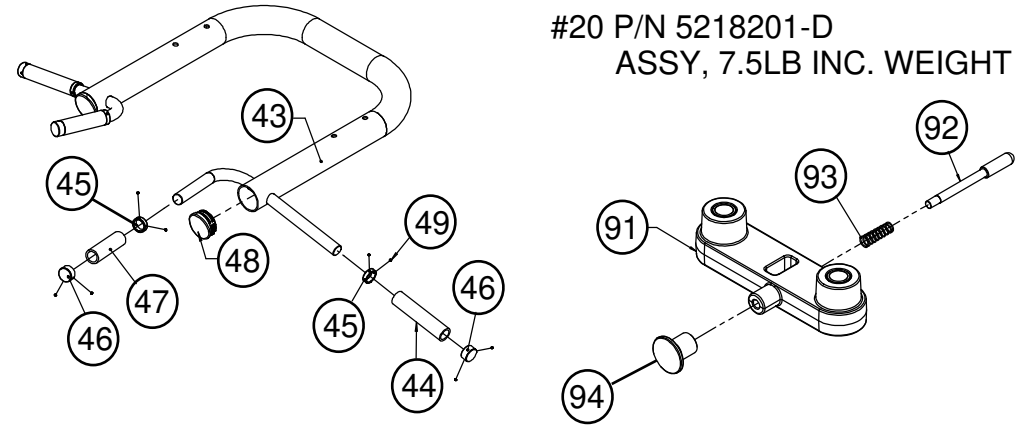
81	2	5218401-B	P06-2145	BUMPER	橡膠墊
82	1	5245301	P11-0183	WEIGHT STACK SELECTOR PIN	選擇桿插鞘組
83	1	5243801-C	P06-2152	TOWER CAP	塑膠蓋
84	1		P10-0098	BADGE	銘牌
85	1	5371001	P04-3618	ACD LEFT SIDE FRAME WELDMENT	左固定立管焊接件
86	2	5373201	P06-2793	ACD FOOT PAD	腳墊
87	2	5257201-A	P06-2203	FOOT, SIDE FRAME	橡膠墊
88	2		P08-0037	BUSHING	含油軸承
89	1	5208901-A	P05-0981	ALUMIMUM CAP	鋁蓋
90	1	5371101	P04-3619	ACD RIGHT SIDE FRAME WELDMENT	右固定立管焊接件
91	1	52180PA-C	P10-0780	7.5LB INC. WEIGHT	配重塊
92	1	5218101-A	P05-0991	PIN, 7.5LB INC. WEIGHT	插鞘桿
93	1	P46609-101	A05-1079	SPRING	壓縮彈簧
94	1	5244901-C	P06-2132	KNOB, 7.5LB INC. WEIGHT	插鞘頭



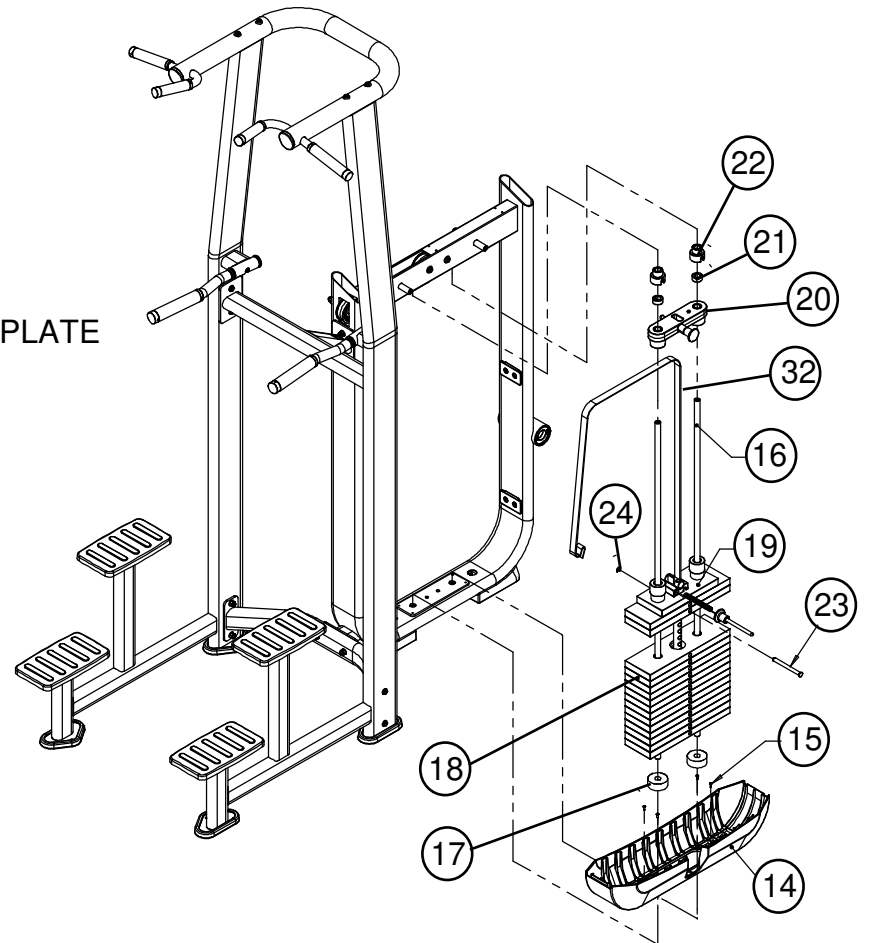
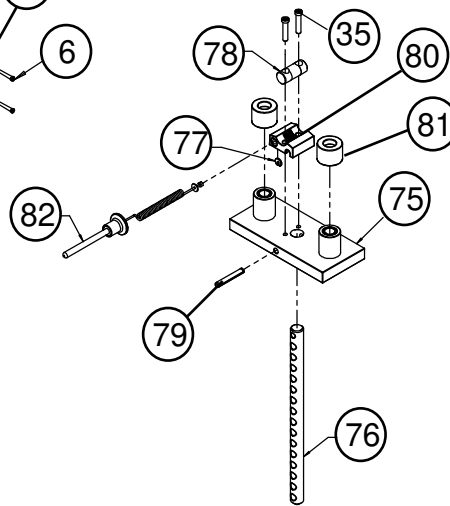
#11 P/N 53718PA PTD ASSY, ACD CHIN UP



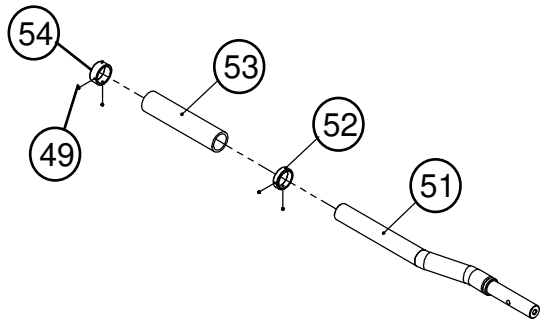
#20 P/N 5218201-D
ASSY, 7.5LB INC. WEIGHT



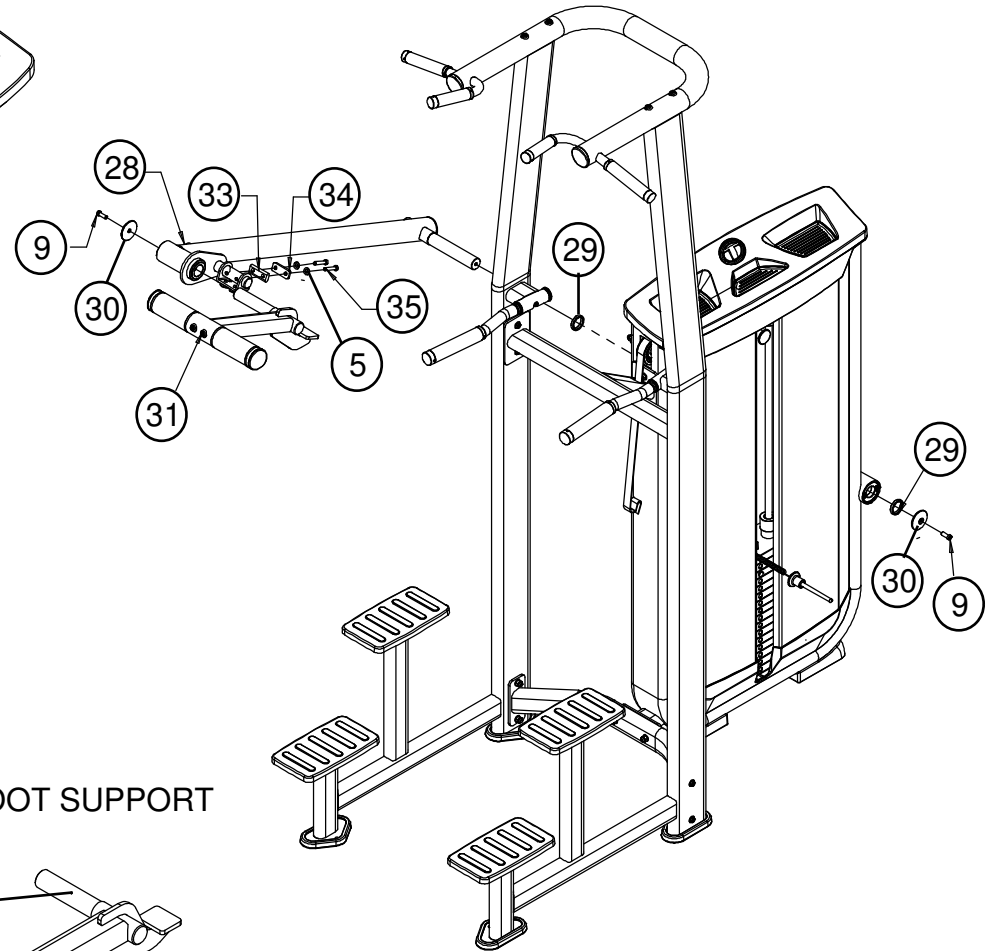
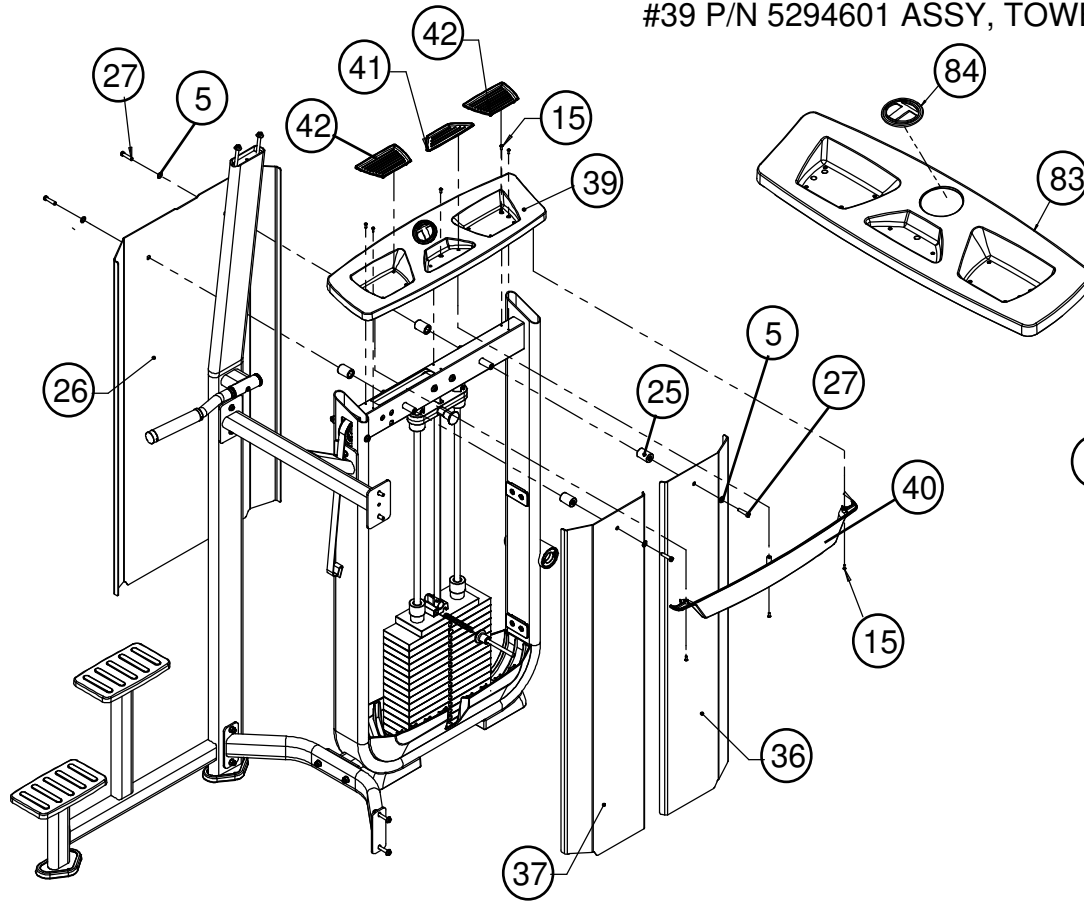
#19 P/N 5250201-C
ASSY, 15 PLATE HEAD PLATE



#50 P/N P20-3059 ASSY, DIP HANDLE

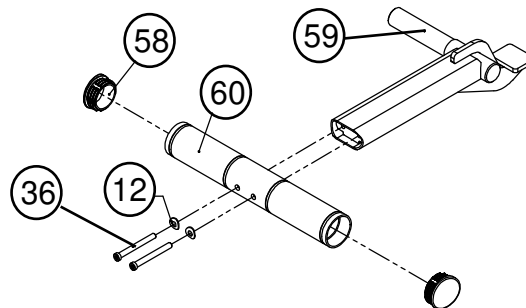
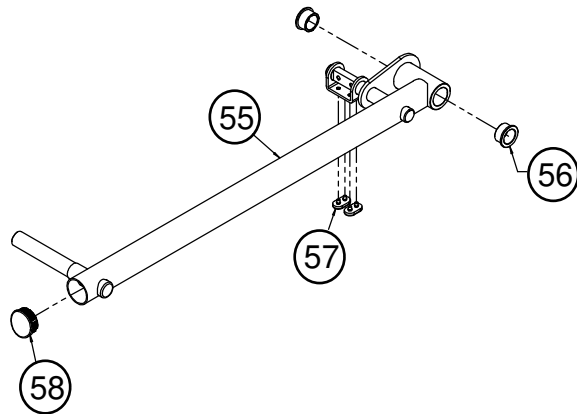


#39 P/N 5294601 ASSY, TOWER CAP

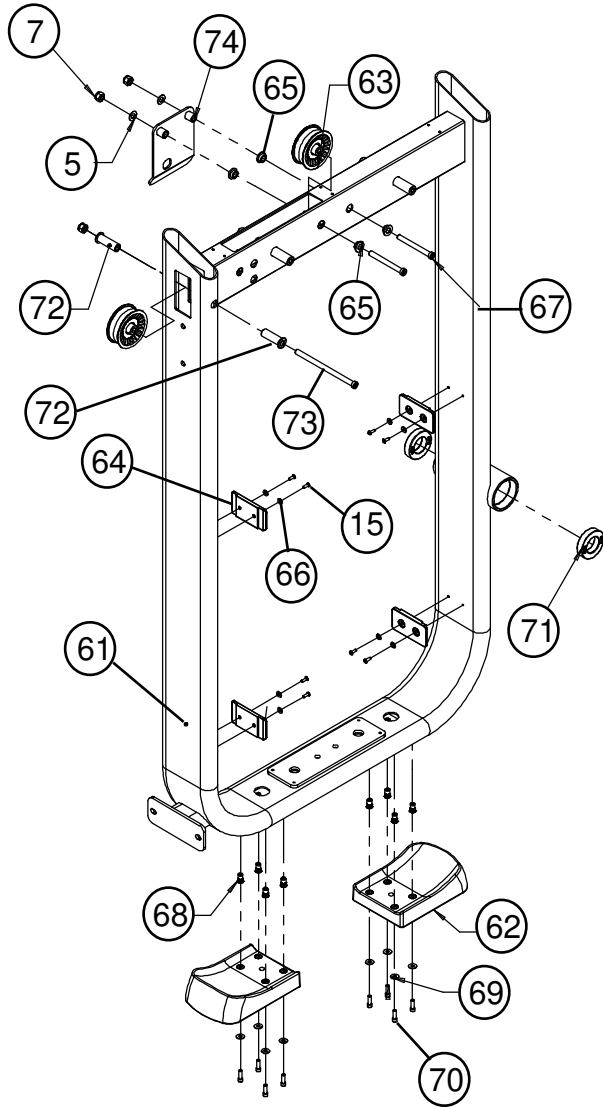


#28 P/N 54550PA PTD ASSY, ACD LIFT ARM

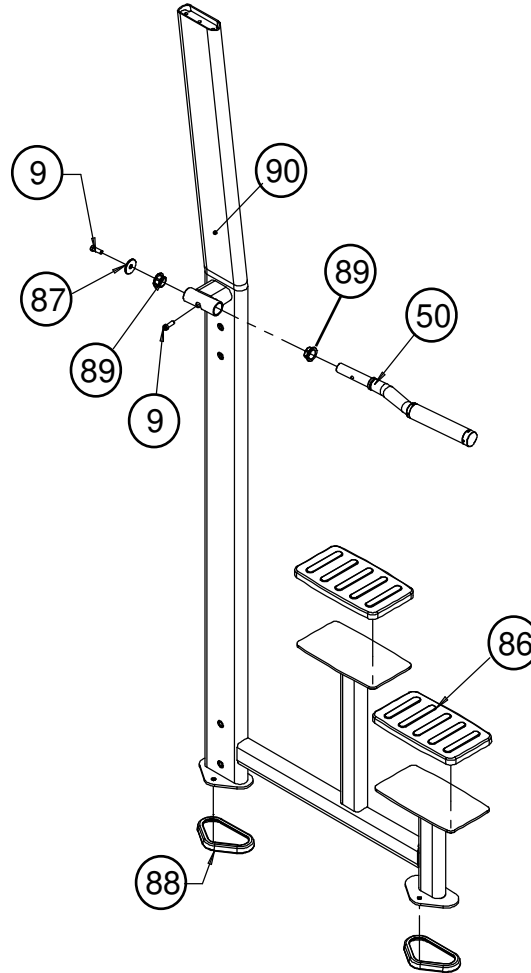
#31 P/N 54554PA PTD ASSY, ACD FOOT SUPPORT



#1 P/N 53701PA PTD ASSY, ACD TOWER



#10 P/N 53711PA
PTD ASSY, ACD RIGHT SIDE FRAME



#8 P/N 53710PA
PTD ASSY, ACD LEFT SIDE FRAME

