

# **Инструкция**

## **Гребная тяга Bronze Gym D-004**

Полезные ссылки:

[Гребная тяга Bronze Gym D-004 - смотреть на сайте](#)

[Гребная тяга Bronze Gym D-004 - читать отзывы](#)

---

# D SERIES -004 USE MANUAL

## SEATED ROW



## CONTENT

IMPORTANT DECLARATION.....	1
WARNING.....	2
USE INSTRUCTION.....	3
REGULAR MAINTENANCE.....	4
CABLE ROUTING DIAGRAM.....	5
EXPLODED PICTURE.....	6
ASSMBLE STEP.....	7

### IMPORTANT DECLARATION:

First we are highly appreciated that you buy **D-004 SEATED ROW**.

For your health and safe, before you exercise please consult from your doctor and define a appreciated exercise burden for yourself. Before using this equipment read carefully all related instructions and notice. In this way you gain more happiness during exercise. When you begin to use **D-004 SEATED ROW** , our company think you have read use manual already.

After you buy this equipment, please fill carefully ‘post-sale service warranty card’ and keep it, meanwhile, post return receipt (stub) back to our company so that we provide better service for you.

This manual is the first edition 2011 of series products **D-004 SEATED ROW**.The content of manual will change along with promotion of products, and we will not inform you.

All notice and instruction are in order to keep yoafe and use this equipment correctly. If not obeying the suggestion, take the consequence yourself.

After reading, the user must keep this manual in the place you can see it at anytime.

### PRODUCTS INTRODUCTION:

- 1 The main frame adopts the high-quality steel tube of for use, durable and safe.
- 2 Adopt high strength steel cable as transmitting wire and you will feel safe and durable.
- 3 The weight stack adopts casting iron and has protective cover.
- 4 Rotating part adopts the high-quality bearing, durable in use and there is no noise while using.
- 5 The high quality leader makes it smoother while using.

## WARNING

1. This training equipment is only intended for use in training areas of organizations such as sport associations, educational establishments, hotels, clubs and studios, where access and control is specifically regulated by the owner (person who has the legal responsibility).
2. The training equipment shall only be used in areas where access control is specifically regulated by the owner; the extent of control depends on the users, e.g. degree of reliability, age, experience, etc.
3. The training equipment shall only be used in supervised areas.
4. Always keep unsupervised children and disabled away from the equipment.
5. Injury to health may result from incorrect or excessive training, please consult the coach to choose correct exercise method and proper burden.
6. Please adjust the load and equipment further (e.g. seat adjustment) before using.
7. Please check if the bolt and handrail are out of work before you start to use it.
8. When weight stacks, booms and other parts of this equipment are blocked, must handle with other people's assistance, in case that the weight stacks may suddenly drop and cause accident.
9. Adjust the length of the steel cable properly and never make the steel wire rope twist. After using the machine for a period, the owner shall check the steel cable to make sure no unusual phenomena in connecting. When meet any problems, please consult the professional maintenance personnel at once.
10. Do not suddenly drop the weight stack. In order to avoid destroying other weight stacks, please raise it when the weight stacks nearly collide.
11. While using, forbid hands stretching into the weight stacks or the relative motion parts, so as not to injure the finger.
12. Never allow person with heart disease and children under 12 to use this equipment.
13. The training equipment is in compliance with EN 957-2 class S(S=studio);
14. The max training weight is 150kgs (330pound). The max user's body weight is 150kg (330pound).
15. The machine should be located stably. A space of 2000mm\*2000mm should be around the machine.
16. The scope of products: Primary use in professional fitness club. The second is the residence community, gym of some company
17. If you feel swirl, surfeit and other discomfort sense, Please stop exercising and go for doctor.
18. The equipment should be installed on stable even surface.
19. The machine shall only be used indoor and be avoid of moisture.
20. Wear right shoes and coat
21. Warm up before exercising
22. Don't use the equipment to do the impossible function
23. Please exercise under instruction by professional coach.
24. Inspect if the equipment is fastness before using
25. Any of the adjustment devices that could interfere with the user movement should not be left projecting.

## USE INSTRUCTION:



### D-004 SEATED ROW

Exercise position: Latissimus Dorsi, Deltoid, Biceps, Trapezius, Teres Major

Dimension: 1630mm (L)\*940mm(W)\*1580 mm(H) weight : 215kg

Use Instruction:

- 1 Read all caution Warning Labels before using this equipment.
- 2 Adjust seat pad and sit with your back firmly against back pad.
- 3 Insert pin into weight stack at desired resistance level.
- 4 Hold the lever firmly, securely position both hands in an overhand grip or with palms facing each other.
- 5 Keeping your arms close to your sides, slowly push forward while maintaining a smooth, comfortable exercise movement.
- 6 Pause for a moment, then slowly return to the start position and repeat the movement.

### NOTICE:

1. Warm-up.....It needs warm-up for 5-10 minutes before starting exercise, for instance mark time, free-standing exercises etc., in order to move each joint muscle, so as not to injure the joint muscle while exercising.
- 2 Diet .....Eat some more protein, vegetables, and fruit. Begin to do exercises until 40 minutes after a meal. Taking food until half an hour after doing exercises and drink little water while doing exercise.
3. Breath.....Breathe in while exerting oneself, exhale while relaxing. To coordinate breathe with movement.
- 4 Frequency...It needs to take a rest over 48 hours before exercising the same muscle.
- 5 Burden.....Exerciser should choose suitable weight according to one's own actual conditions, make sure not to be overweight, so as not to cause the muscle to draw wounded. Exercises should according to the progressive principle; it is normal to feel ache while exercise for the first time.

## REGULAR MAINTENANCE

1. The safety level of the equipment can be maintained only if it is examined regularly for damage and wear, e.g. ropes, pulleys, connection points;
2. Pay special attention to components most susceptible to wear.
3. Replace defective components immediately and /or keep t he equipment out of use until repair;
4. This equipment should carry on regular maintenance according to the following chart:

MAINTENANCE	EVERYDAY	EVERY WEEK	THREE MONTHS
Check: connecting, bolt, Weight stack bolt	√		
Clearance: cushion and cover	√		
Lubrication: place of sliding			√
Check: bolt if tighten		√	
Lubrication: Bracket of bearing			√

## INSTALL SKETCH MAP

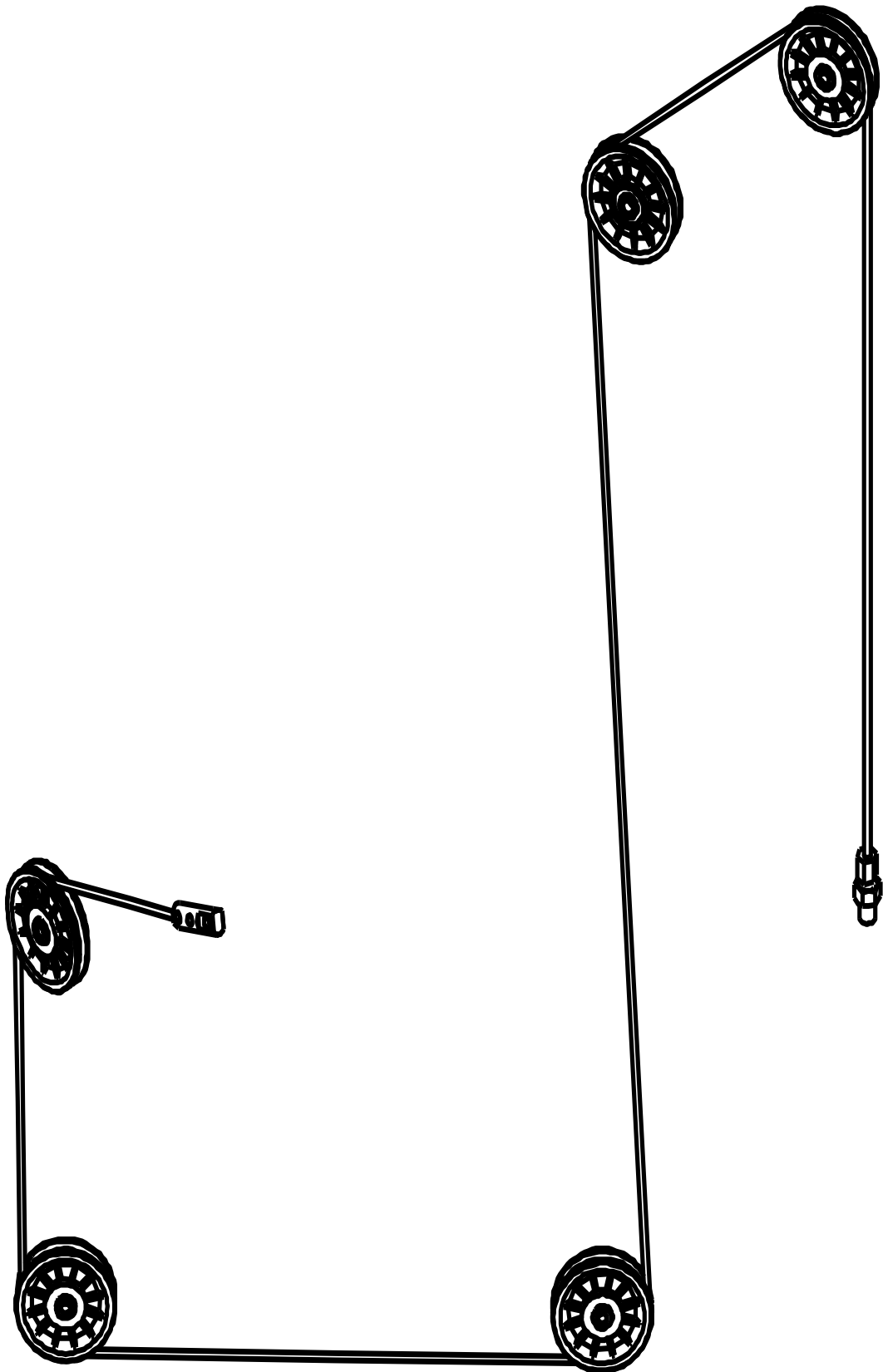
Let assembly become easier

All the content of user's manual is to assured the strength training machine can be installed more easily

Reading the details and instructions before installing:

1. Because the size and weight of equipment is so large, Please choose the installed place near the desired station and assured there is enough space to exercise
2. All parts can be put on the clear area, then backout the wrapper. And the wrapper can't be through away before installation finished.
3. Screw the bolt tightly except the additional instruction
4. All parts must be installed according the illustration indication.
5. Installation work can be finished by tow men
6. Identify all parts by part identify chart

CABLE ROUTING DIAGRAM:





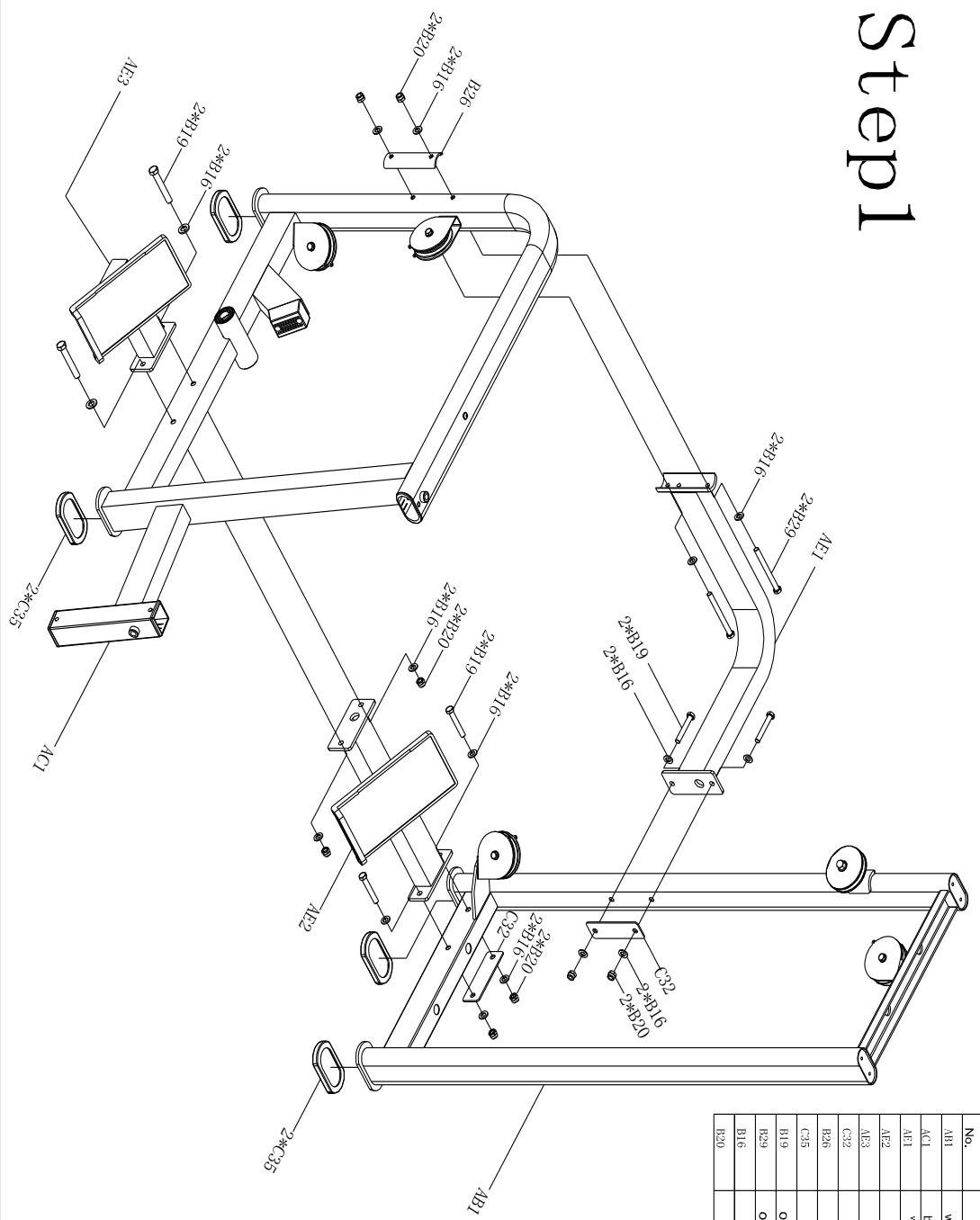


**Assmble Step:**

**Use tool:**

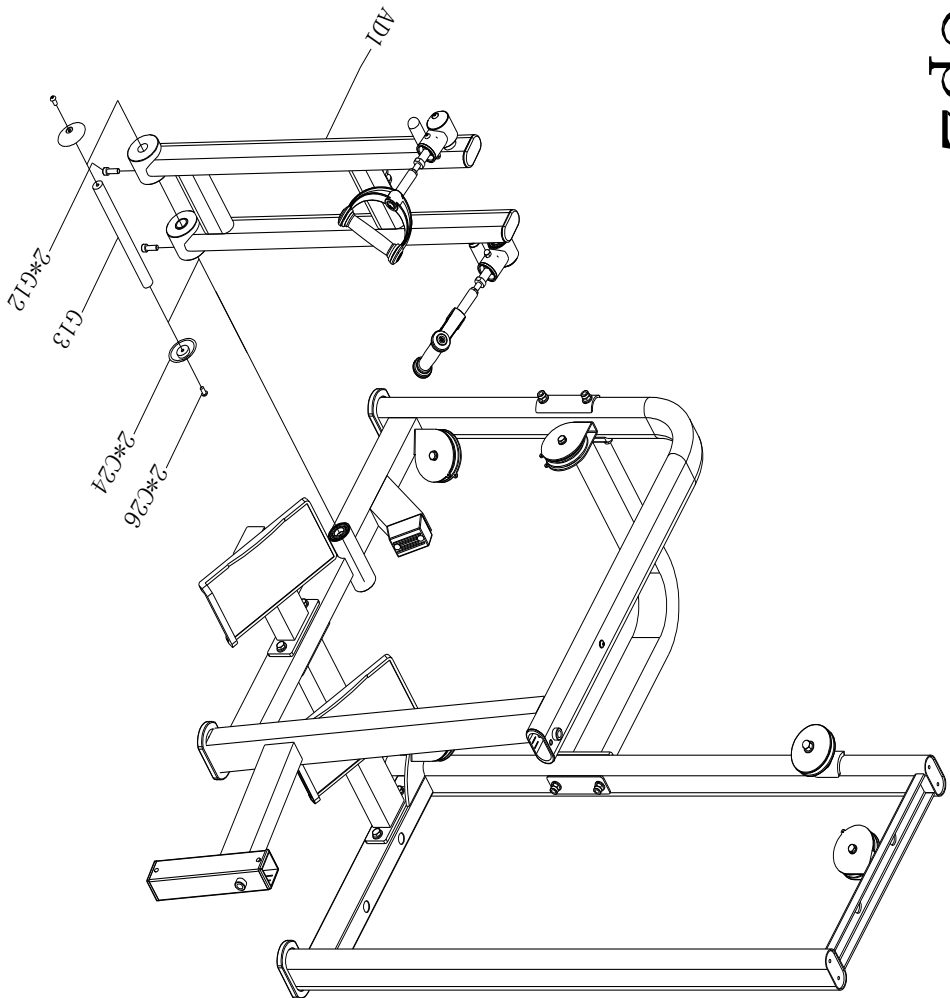
- 1. M6 Hex spanner**
- 2. M8 Hex spanner**
- 3. Two 17-19 spanner**
- 4. Two 22-24 spanner**

# Step1



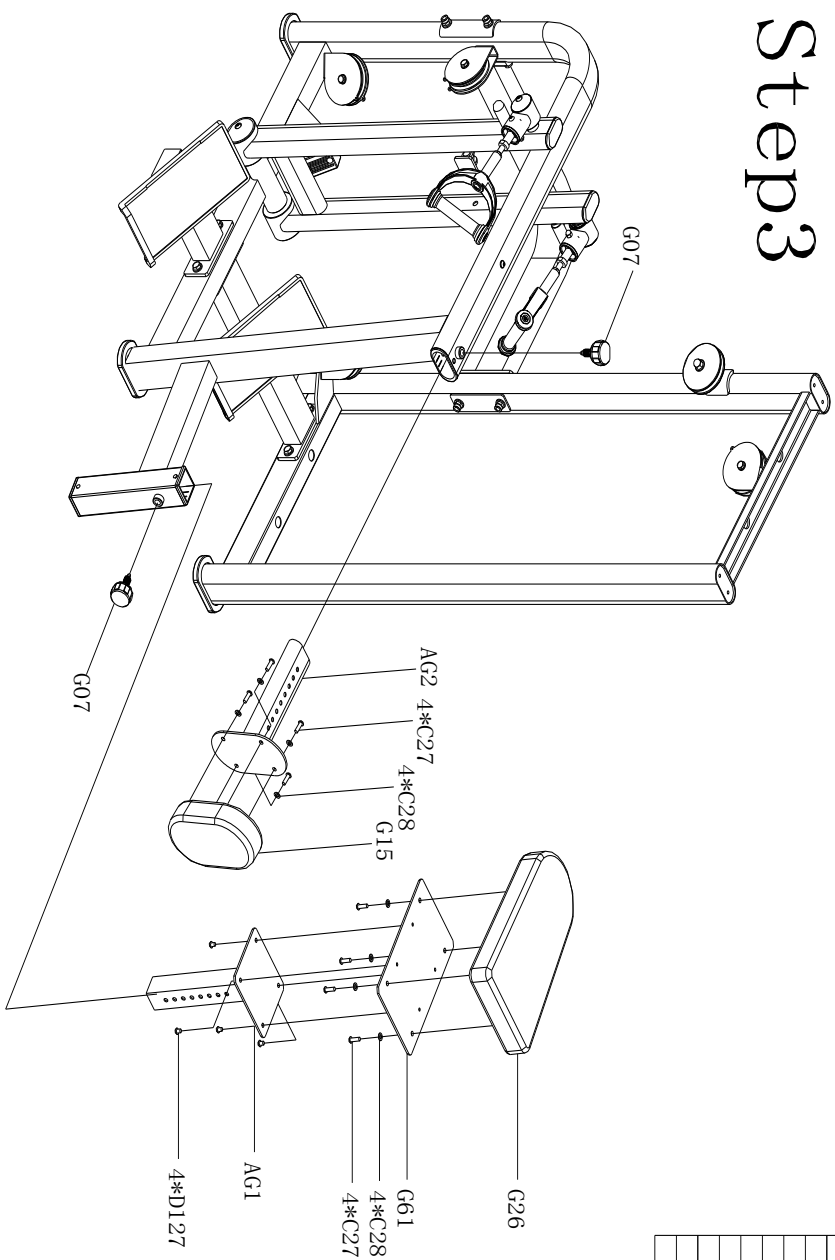
No.	Name	Spe	Quantity
A11	wicket welding group		1
A12	big frame welding group		1
A13	welding group of upper connecting beam and pedal construction		1
A14	pedal assembly		1
A15	junction plate	1601.4500*41	2
A16	junction plate	1601.4566.10*41	1
A17	feel pad	1361.4708*41	4
A18	outer hexagon screw	M12*80L	6
A19	outer hexagon screw	M12*130L	2
A20	gasket	M12*21	16
A21	lock nut	M12	8

# Step2



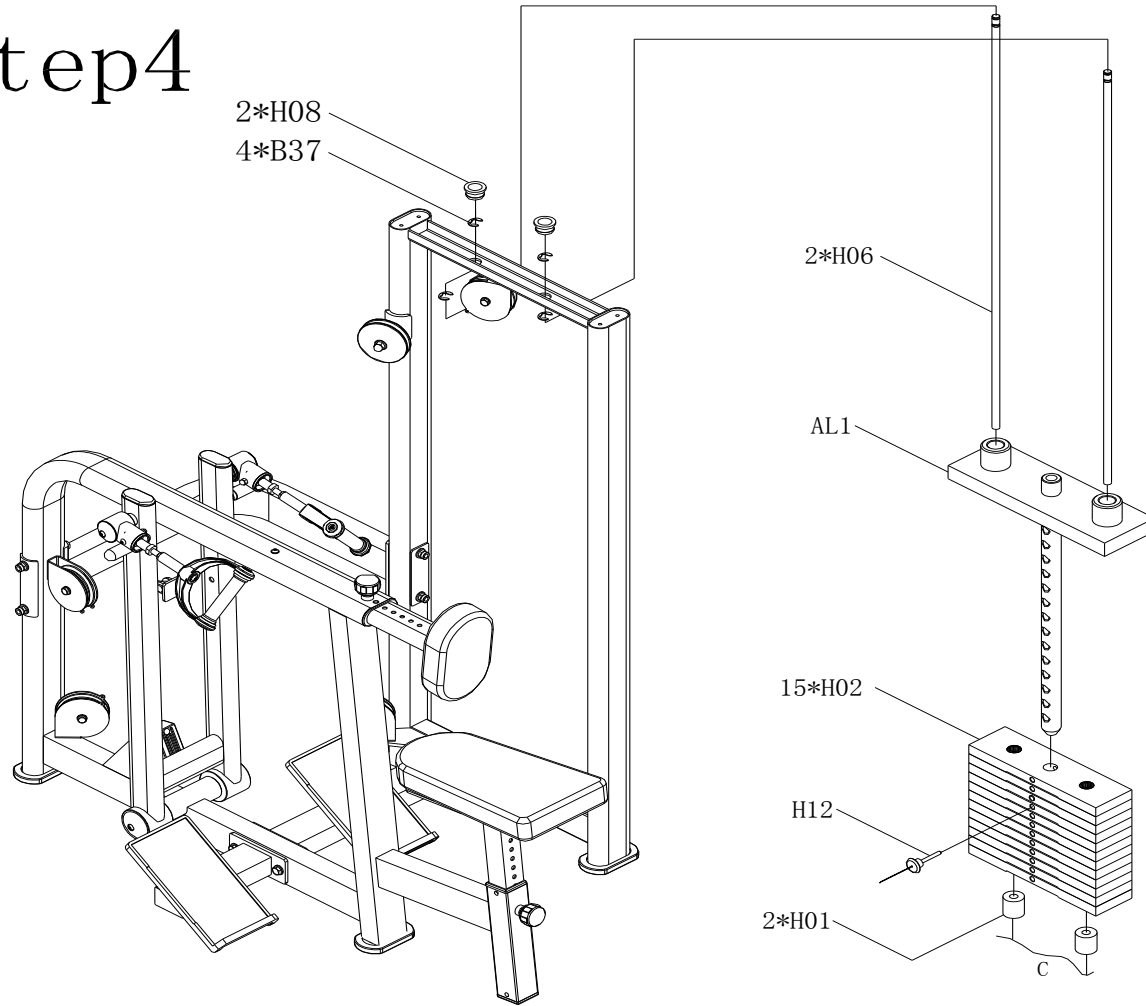
No.	Name	Spe	Quantity
AD1	moving arm combination welding assembly		1
G13	moving arm combination shaft	φ 25*230L	1
G24	bearing cap	M70	2
G26	serrated head inner hexagon screw	M8*16L	2
G12	inner hexagon screw	<b>M7*30L</b>	2

# Steps



No.	Name	Spe	Quantity
AT2	chest press welding group		1
G15	back agalst cushion	D1	1
AG1	seat tube Bonding	3401.5*200W*5T	1
G61	seat support plate	F1	1
G26	back agalst cushion	M8*25L	8
C27	semi-circular head liner hexagon screw	M8*2L	8
C28	gasket	M8*2L	8
D127	semi-circular head liner	M8*1.0L	4
G07	spring broaching		2

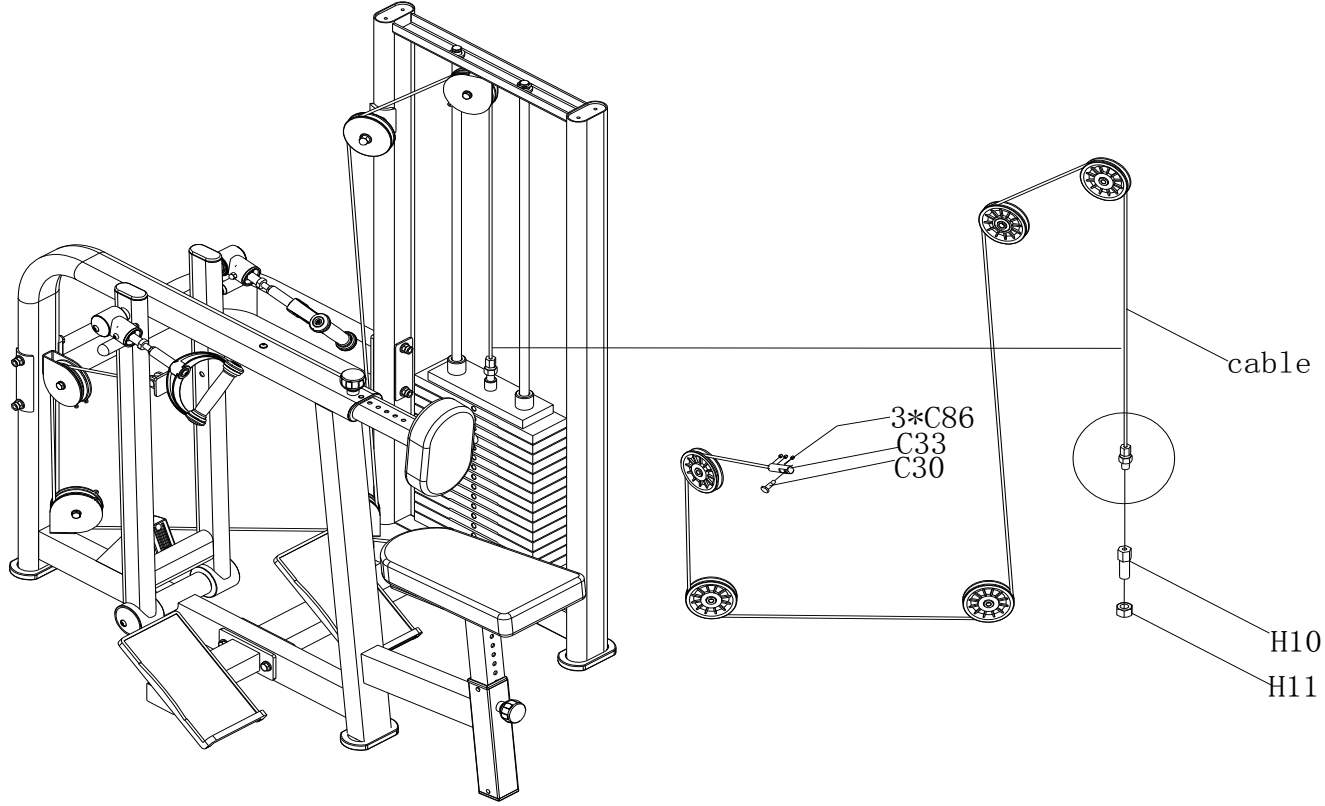
# Step4



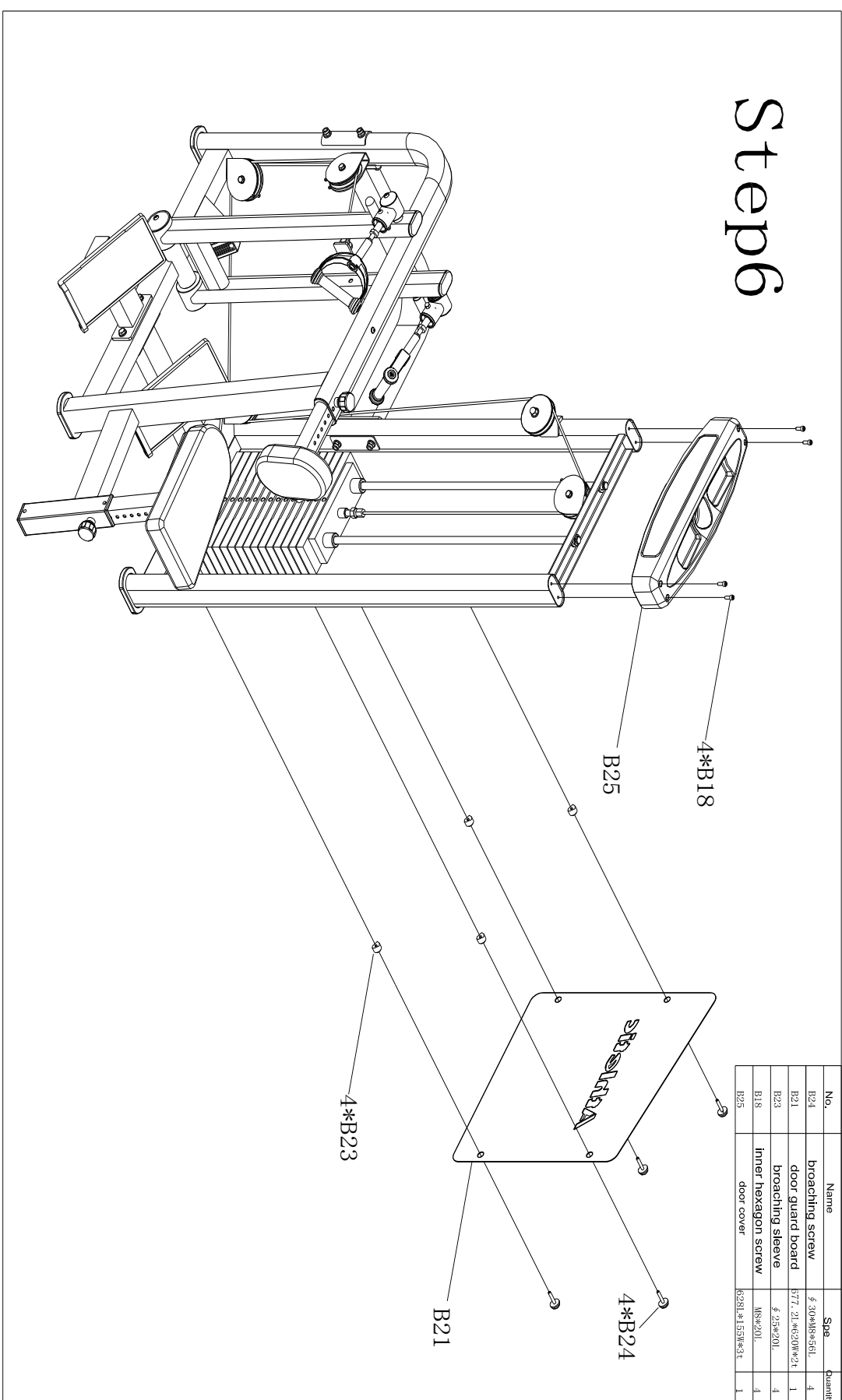
No.	Name	Spe	Quantity
AL1	center rod welding group		1
H01	guide bar cushion	φ 55*60L	2
H02	weight stack	340L*100W*26t	15
H06	guide bar	φ 20*1450L	2
H08	guide bar head shaft for inside plug	φ 34*20L	2
H12	broaching of weight stack		1
B37	clamp spring	φ 30* φ 18*1.5t	4

# Step5

No.	Name	Spe	Quantity
C86	jacking screw	M8*SL	3
	cable		1
H10	<b>bolt of cable locker</b>	M16*60L	1
H11	<b>nut</b>	M16	1
C30	<b>bolt</b>	M8*36L	1
C33	<b>flat bolt</b>	220*70L	1



# Step6



No.	Name	Spc	Quantity
B24	broaching screw	\$ 30xM18x56L	4
B21	door guard board	577.21x630Wx21	1
B23	broaching sleeve	\$ 25x20L	4
B18	inner hexagon screw	M8x20L	4
B25	door cover	628Lx150Wx3t	1