

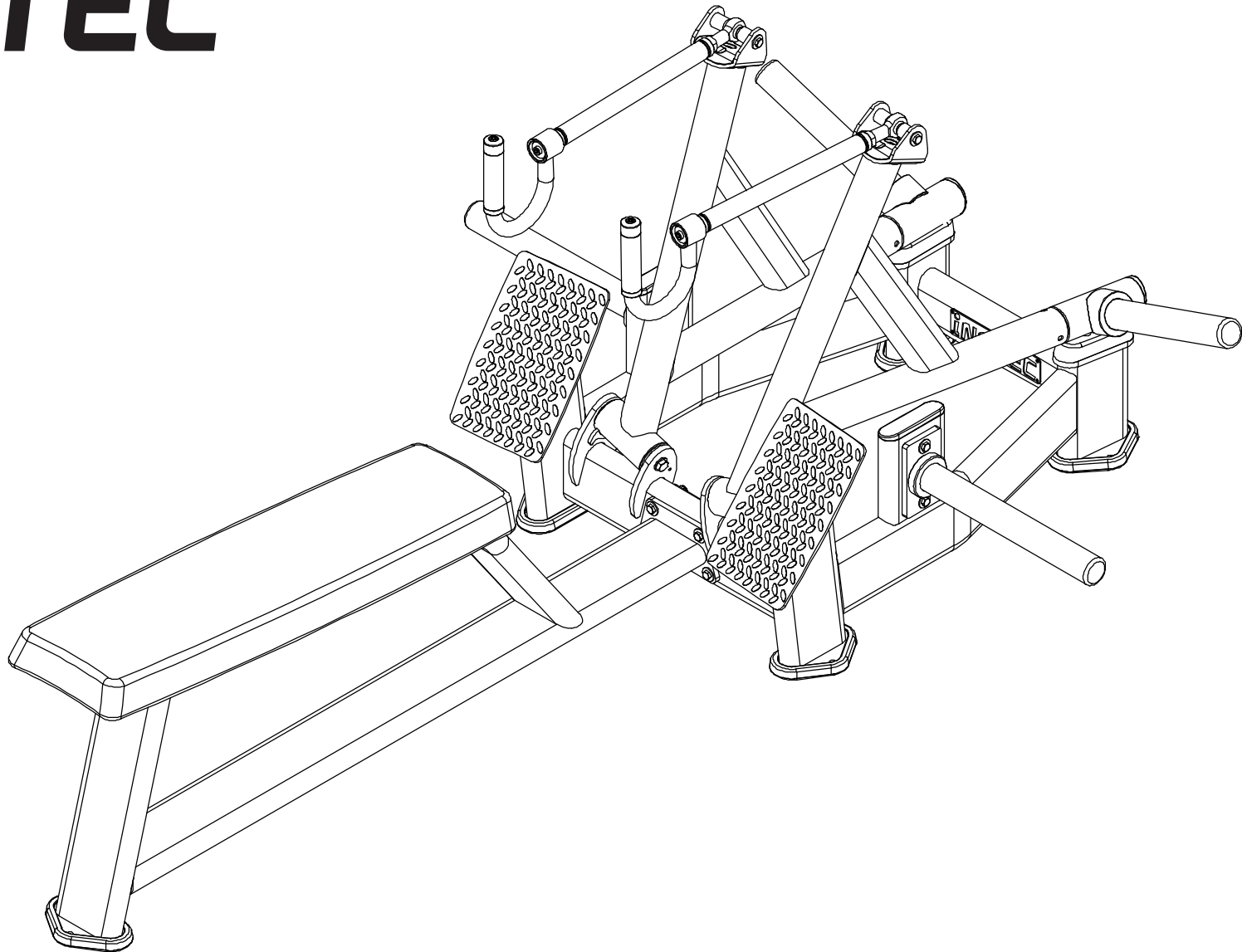
## **Инструкция**

### **Гребная тяга на свободных весах Inotec A4**

Полезные ссылки:

[Гребная тяга на свободных весах Inotec A4 - смотреть на сайте](#)

**iNOTECH**

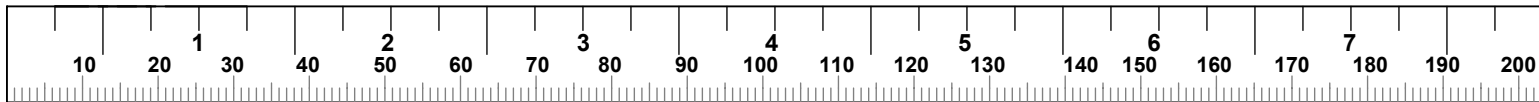


## ***ATHLETIC LINE-SEATED ROW***

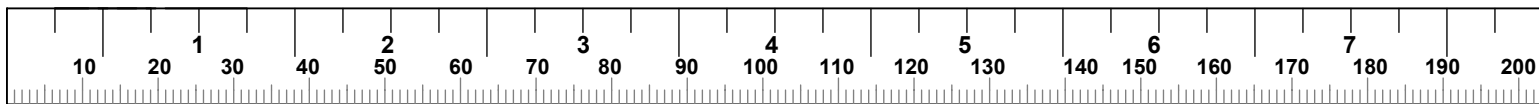
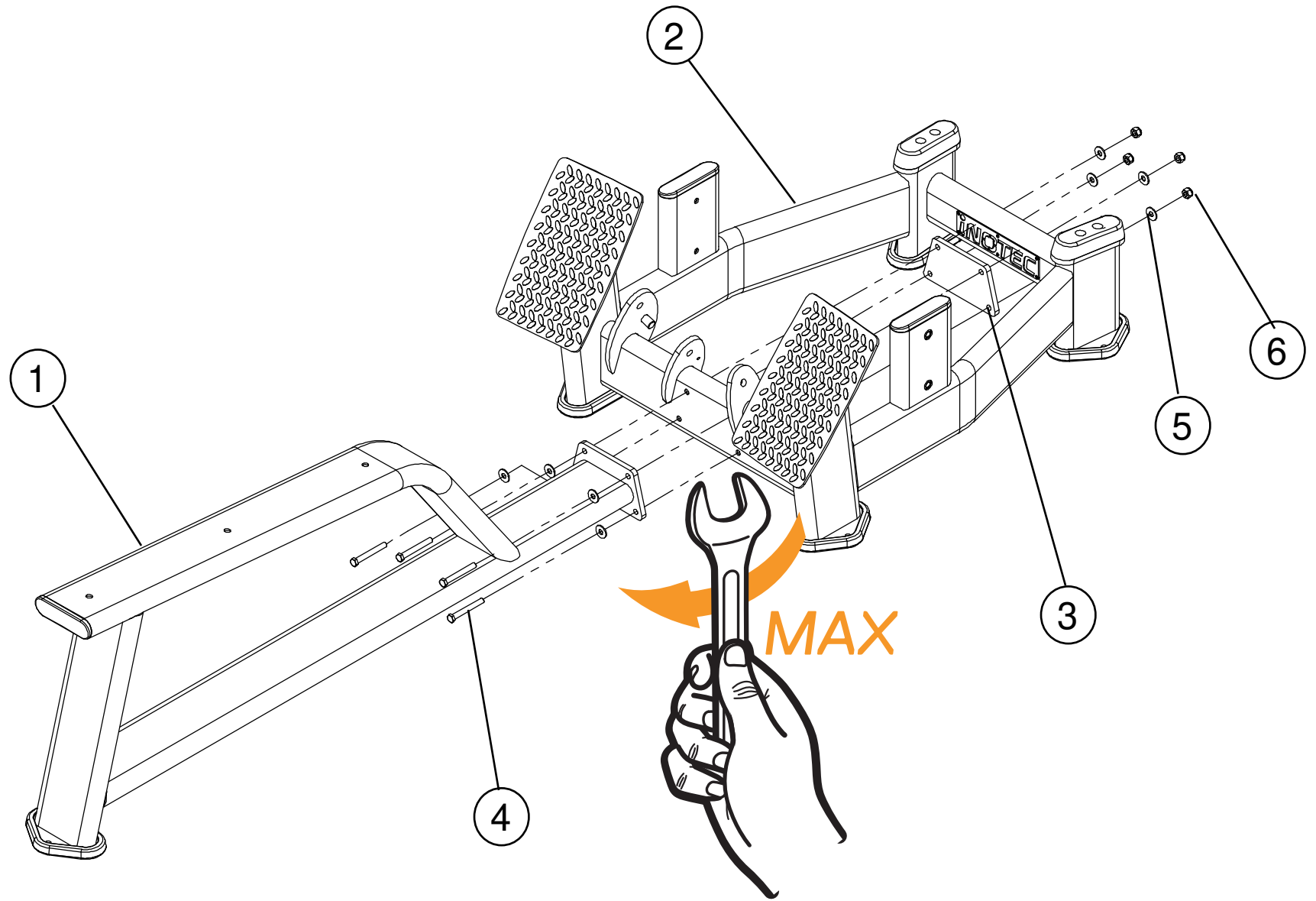
### ***Assembly Guide***

**A4**

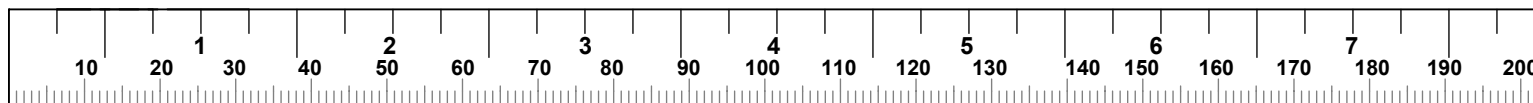
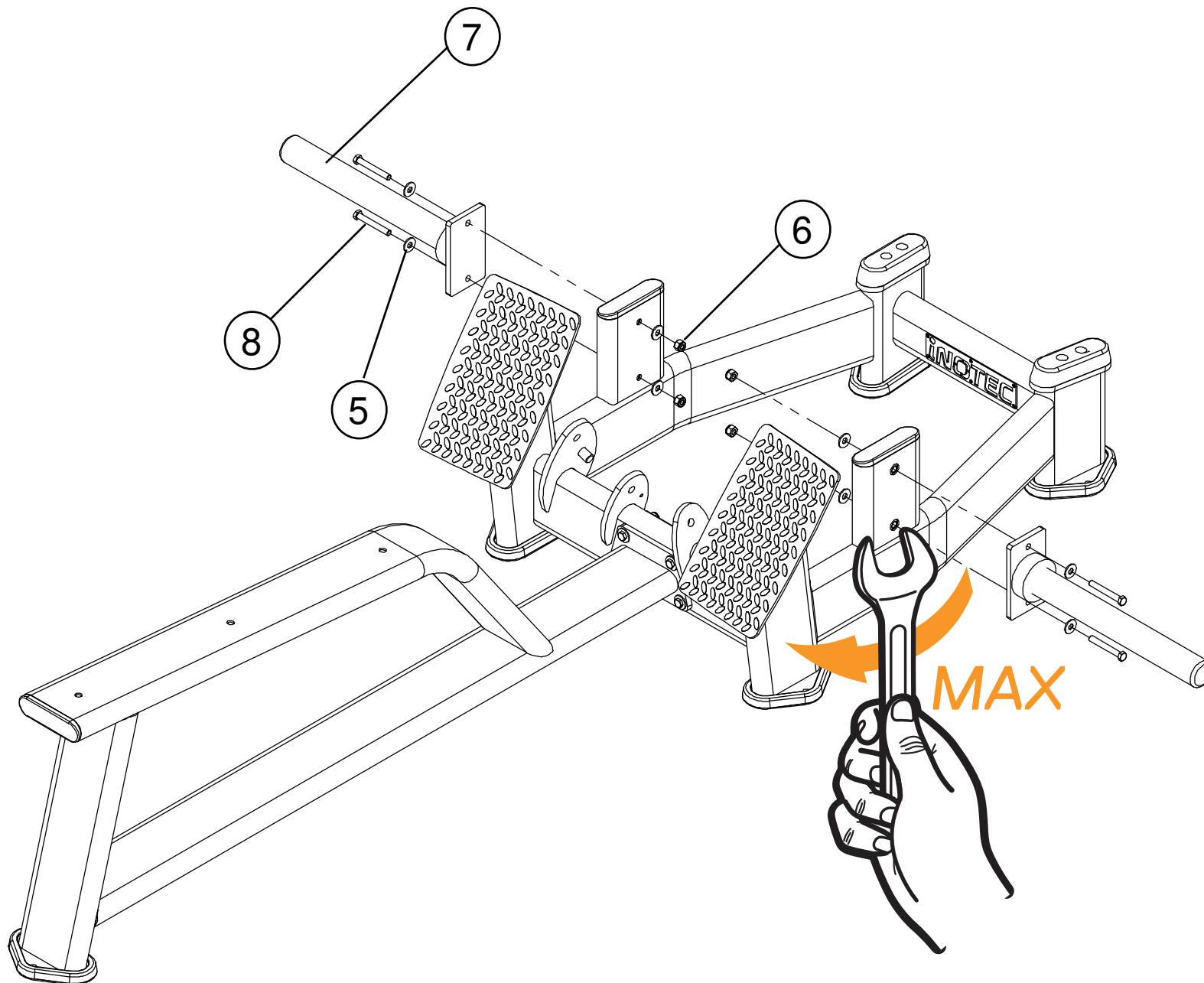
ITEM	QTY	PART NO	DESCRIPTION	ITEM	QTY	PART NO	DESCRIPTION
1	1	P20-4813	SEAT ASSEMBLY	11	2	P03-3026	SHAFT $\Phi$ 24.98x125.5L
2	1	P20-4812	BASE ASSEMBLY	12	2	P03-3069	SHAFT $\Phi$ 15.9x $\Phi$ 96.5L
3	1	P02-6607	CONNECTION PLATE	13	4	P03-3075	BUSH
4	4	DA1E03830016NU	HEX SCREW $\Phi$ 3/8"-16x3"L(76mm)	14	4	DA1E03810016YU	HEX SCREW $\Phi$ 3/8" -16x1"L(25.4mm)W/NP
5	23	DC125010020U	FLAT WASHER $\Phi$ 25x $\Phi$ 10	15	4	DA1E01210013YU	HEX SCREW $\Phi$ 1/2" -13x1"L(25.4mm) W/NP
6	8	DB2E03811000U	NYLON NUT	16	4	DC126013020U	FLAT WASHER $\Phi$ 26x $\Phi$ 13
7	2	P20-4814	WEIGHT PLATE HORN	17	1	P20-4809	RIGHT ARM ASSEMBLY
8	4	DA1E03823416NU	HEX SCREW $\Phi$ 3/8" -16x2-3/4"L(70mm)	18	1	P07-0440	SEAT PAD
9	1	P20-4808	LEFT ARM ASSEMBLY	19	3	DA1E03823416YU	HEX SCREW $\Phi$ 3/8" -16x2-3/4"L (70mm) W/NP
10	2	P20-4810	ROTATIONAL GRIP				



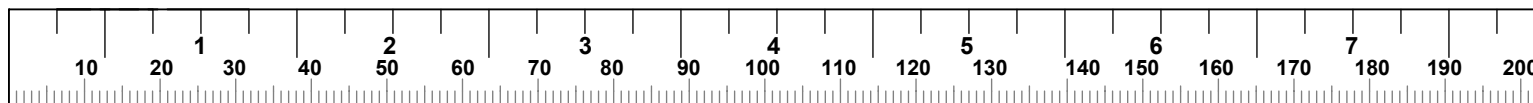
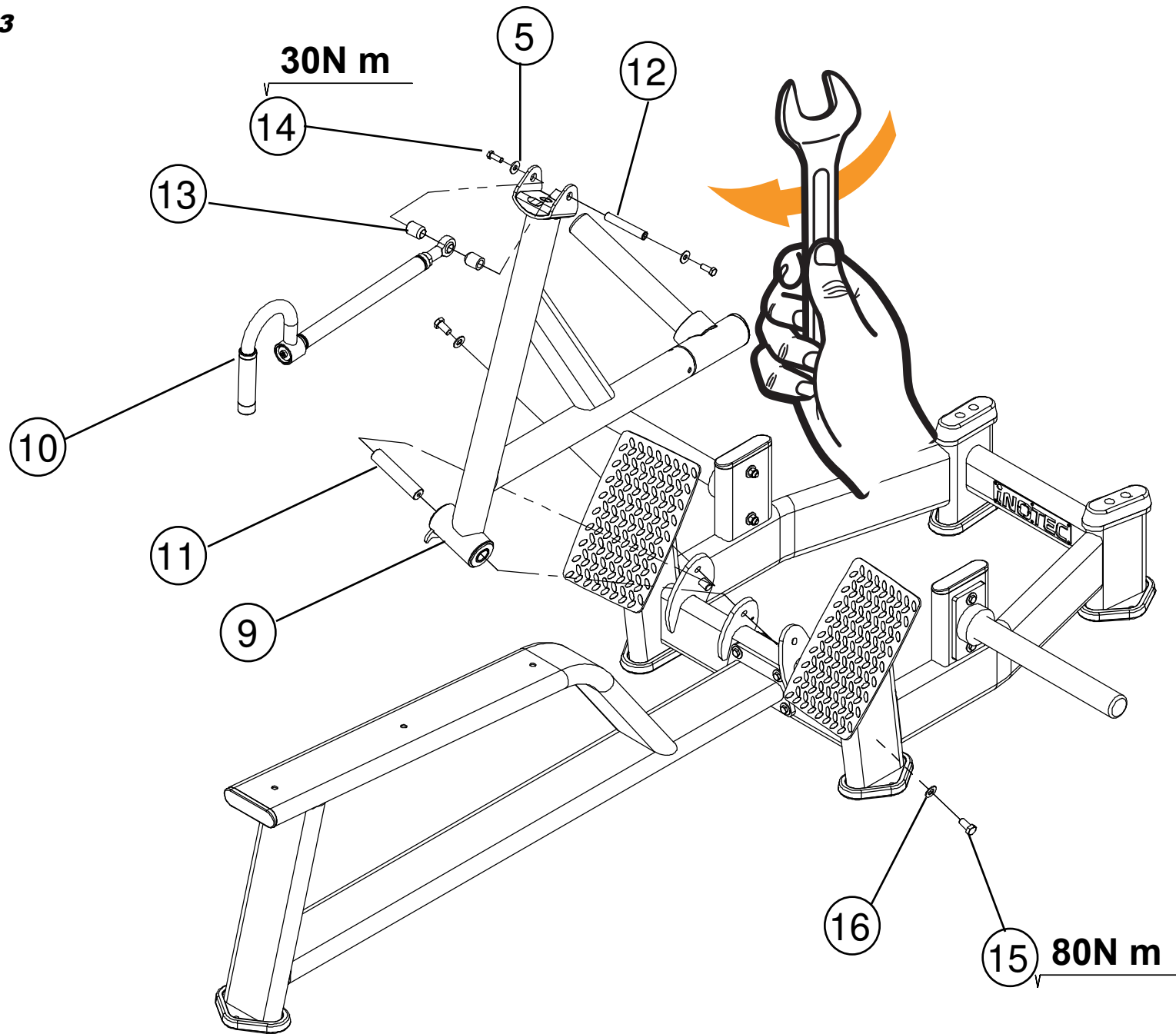
**STEP 1**



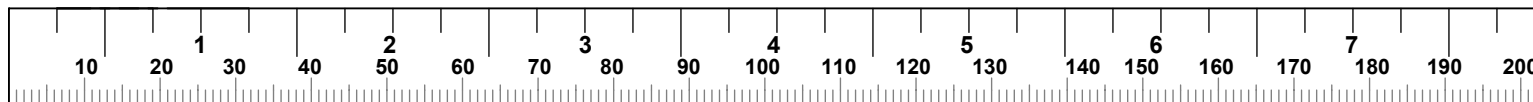
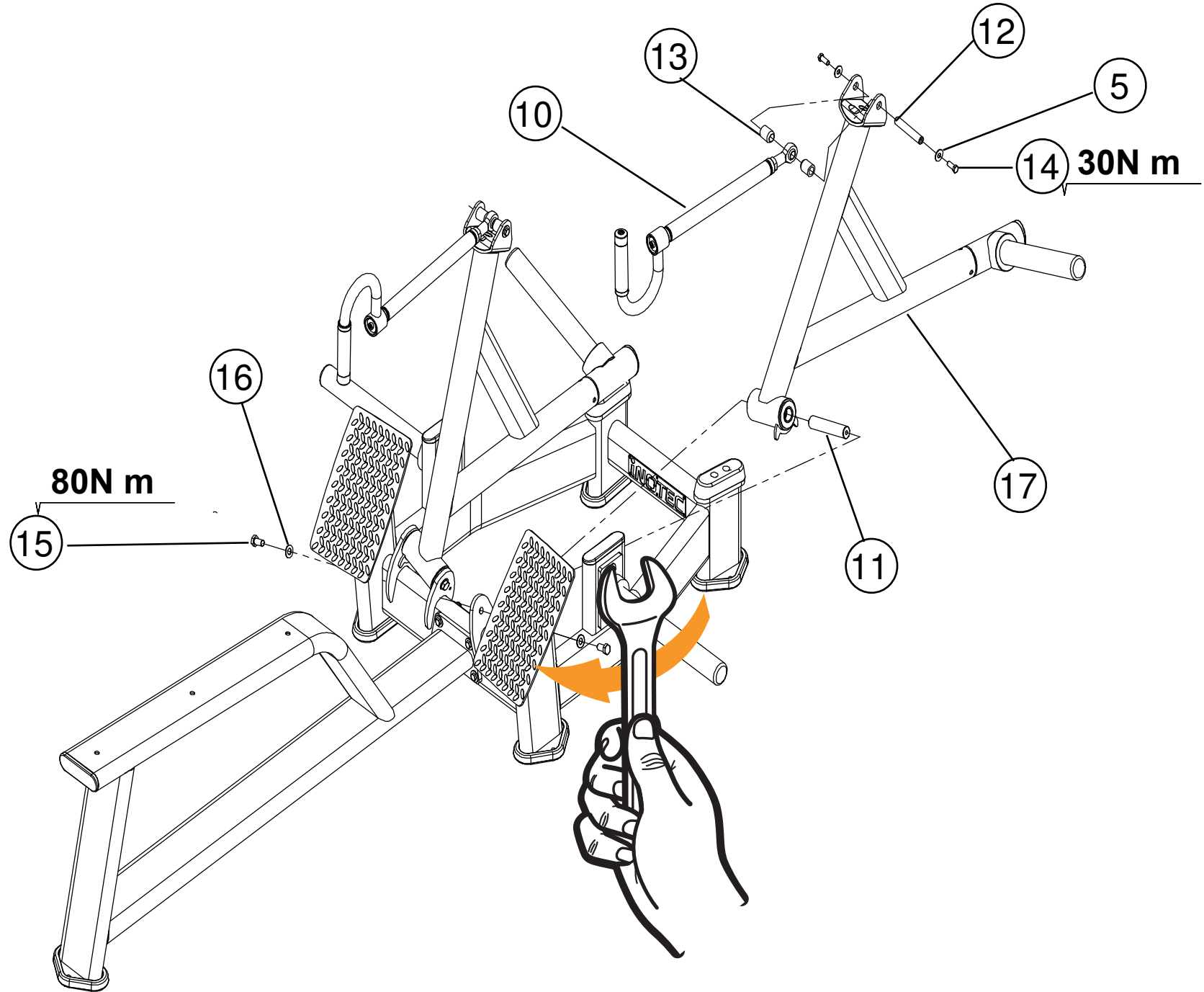
**STEP 2**



**STEP 3**



**STEP 4**



**STEP 5**

