

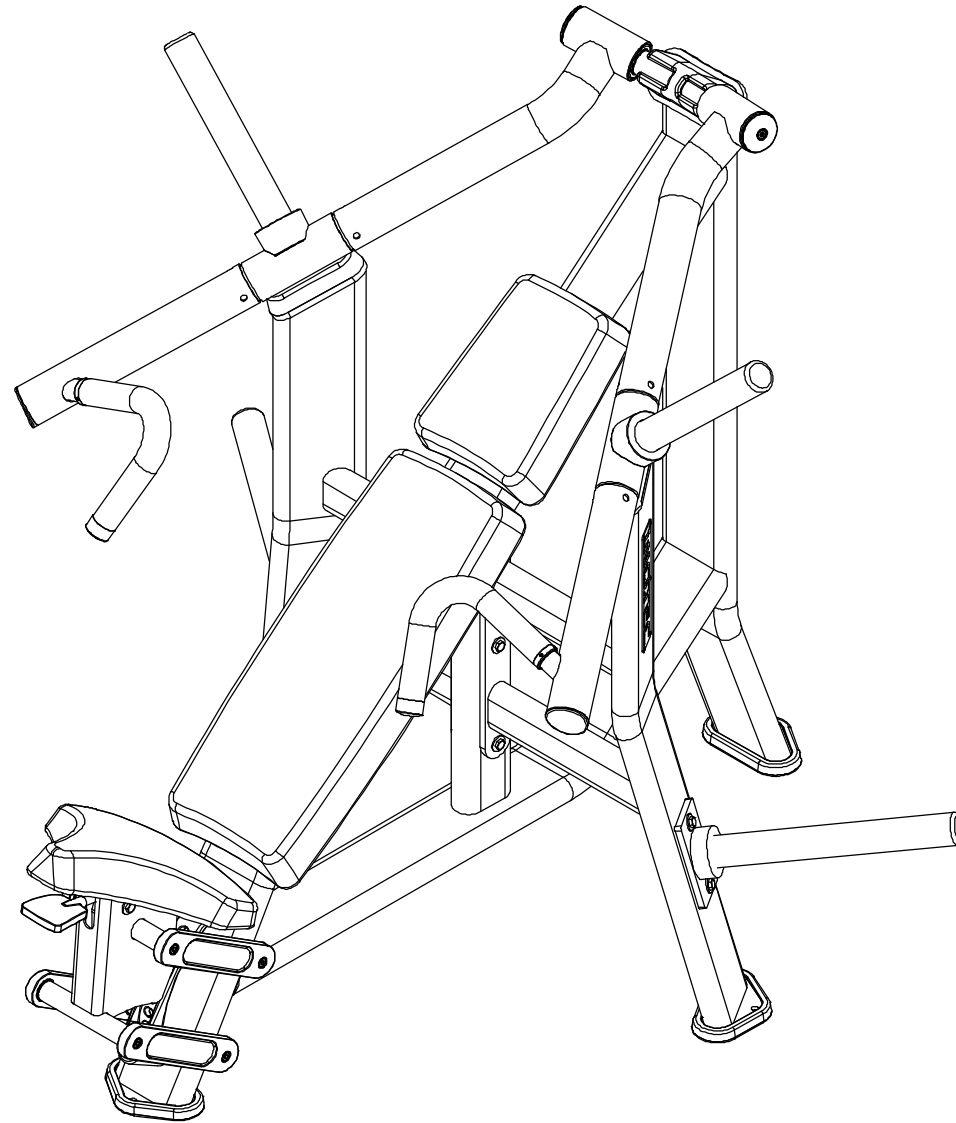
Инструкция

Грудной жим на свободных весах Inotec A2

Полезные ссылки:

[Грудной жим на свободных весах Inotec A2 - смотреть на сайте](#)

iNOTECH

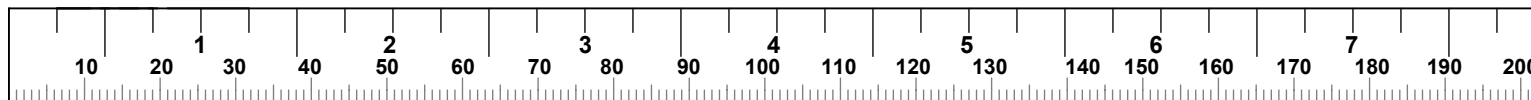


ATHLETIC LINE-CHEST PRESS

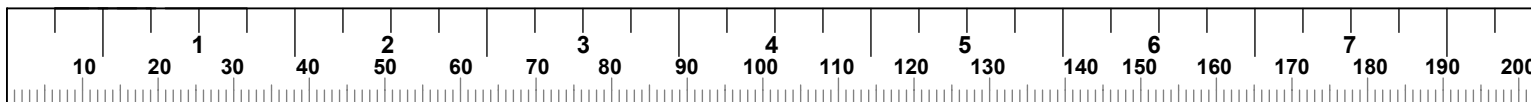
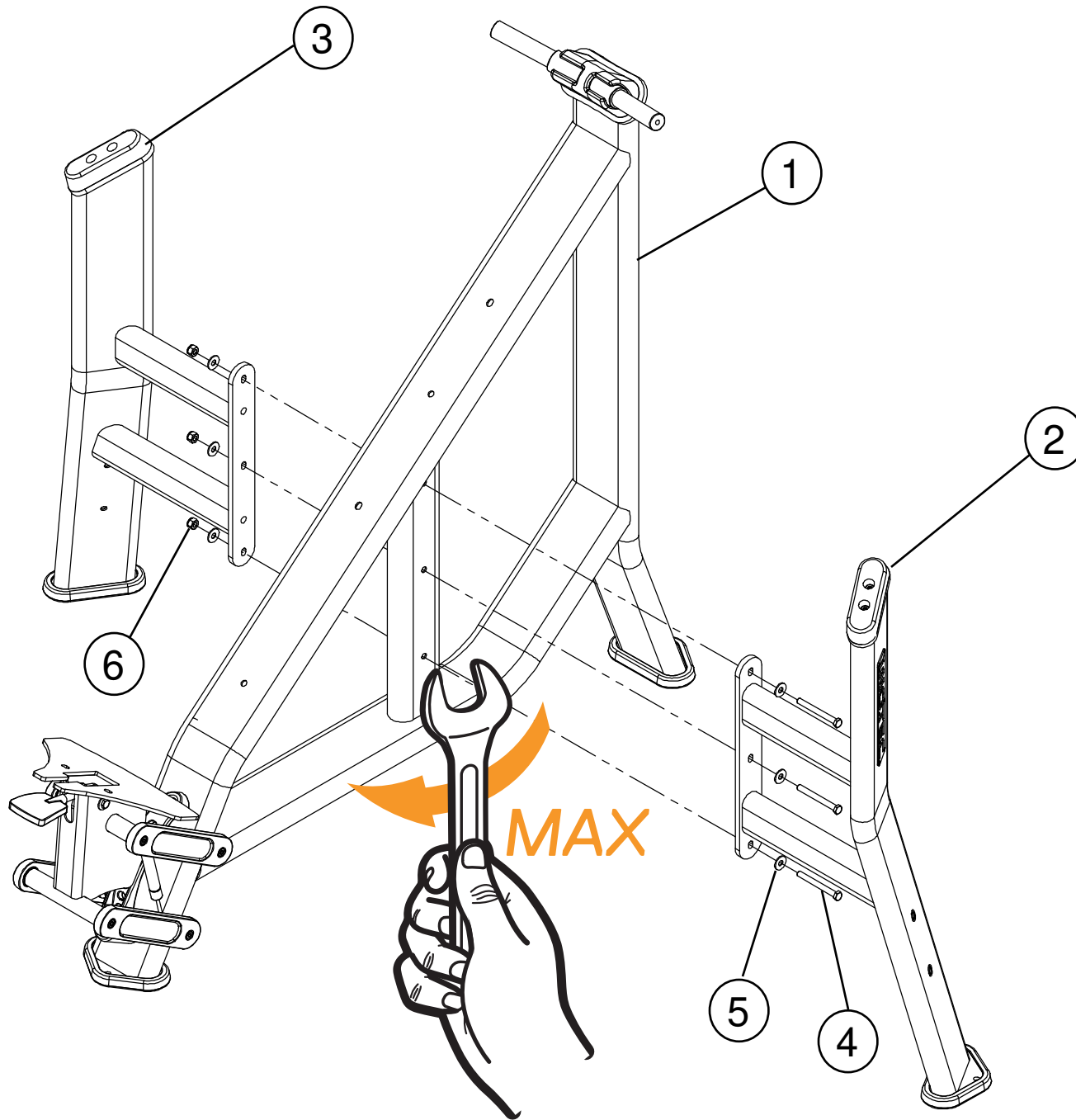
Assembly Guide

A2

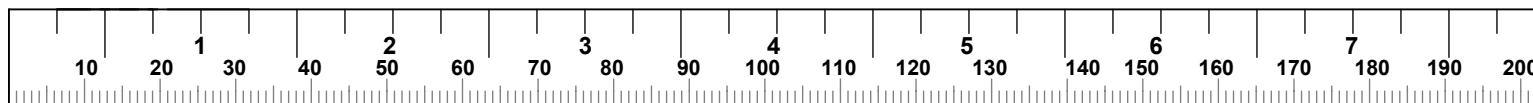
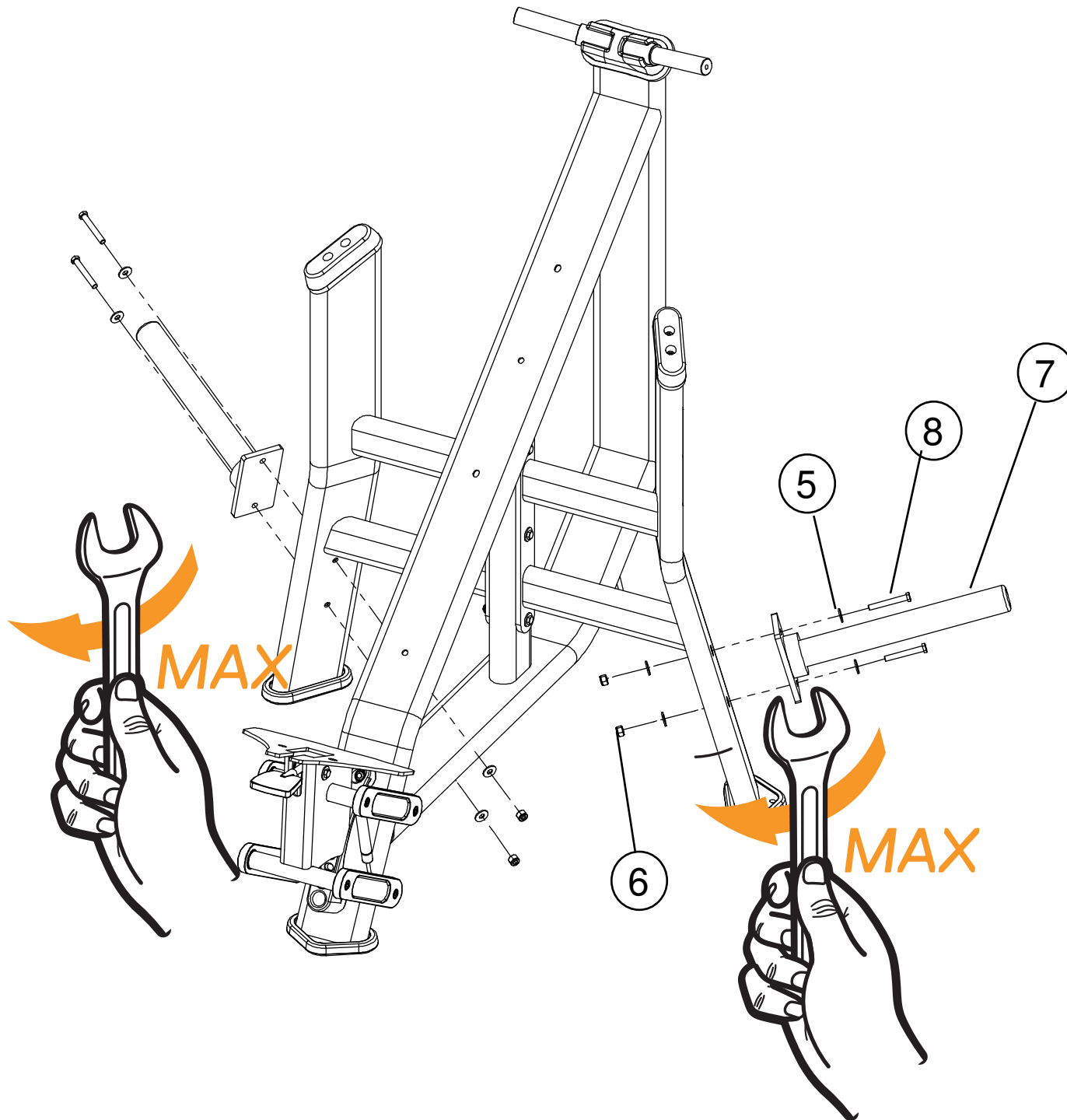
ITEM	QTY	PART NO	DESCRIPTION	ITEM	QTY	PART NO	DESCRIPTION
1	1	P20-4848	BASE ASSEMBLY	10	1	P20-4852	RIGHT ARM ASSEMBLY
2	1	P20-4849	LEFT SUPPORT TUBE	11	2	DABE03810016AYU	HEX SCKET HEAD SCREW Φ 3/8" -16 x 1"L (25.4mm) W/NP
3	1	P20-4850	RIGHT SUPPORT TUBE	12	2	P05-1350	ALUMINUM CAP
4	3	DA1E03831216NU	HEX SCREW Φ 3/8" -16 x 3-1/2"L(89mm)	13	1	P07-0449	BACK PAD
5	20	DC125010020U	FLAT WASHER	14	1	P07-0441	HEAD PAD
6	7	DB2E03811000U	NYLON NUT	15	4	DA1E03823416YU	HEX SCREW Φ 3/8" -16x2-3/4"L(70mm) W/NP
7	2	P20-4814	WEIGHT PLATE HORN	16	1	P07-0434	SEAT PAD
8	4	DA1E03823416NU	HEX SCREW Φ 3/8" -16x2-3/4"L(70mm)	17	2	DA1E03811416YU	HEX SCREW Φ 3/8" -16x1 1/4"L(31.8mm) W/NP
9	1	P20-4851	LEFT ARM ASSEMBLY				



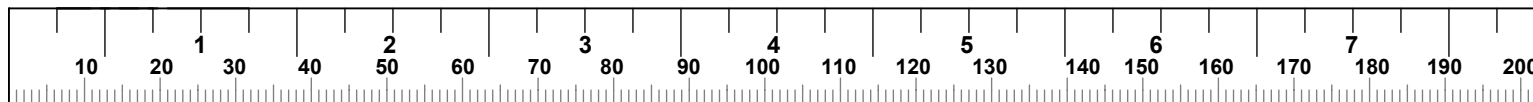
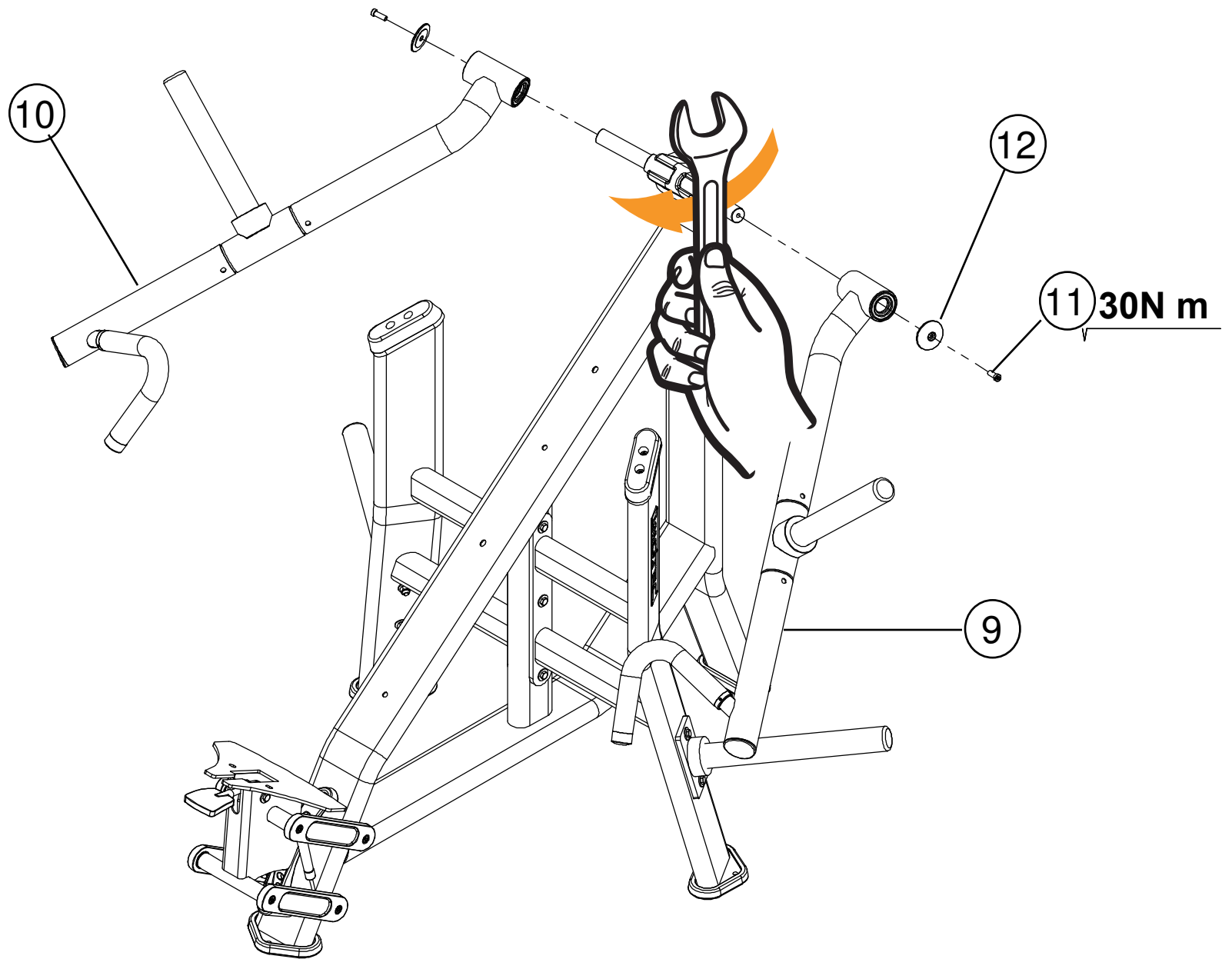
STEP 1



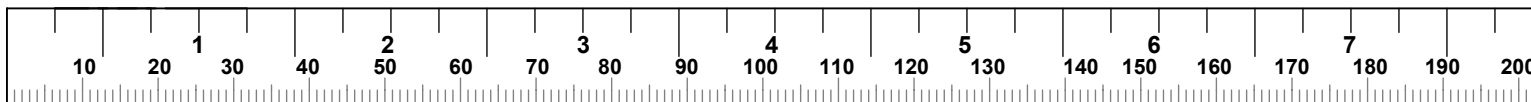
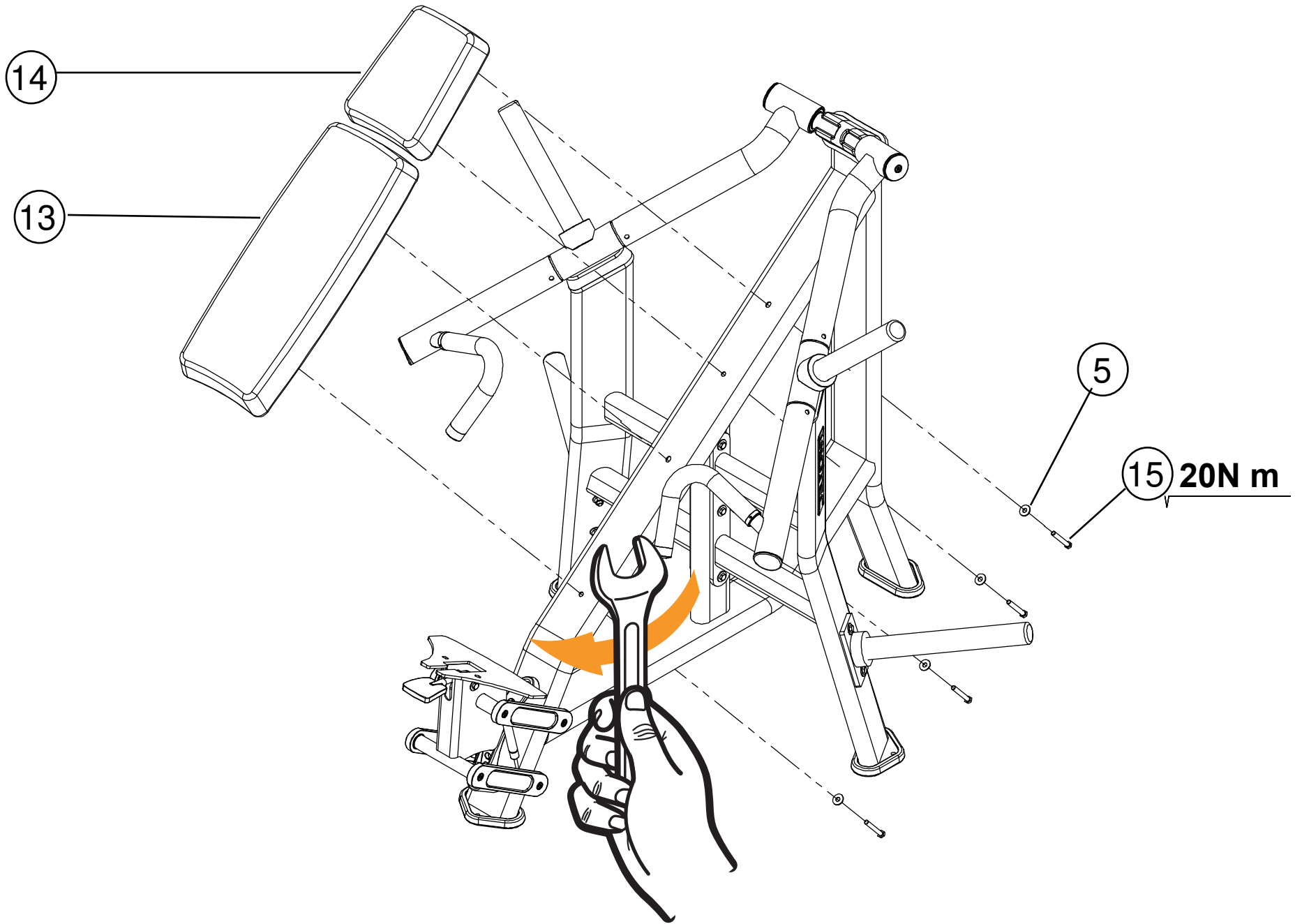
STEP 2



STEP 3



STEP 4



STEP 5

