

Инструкция

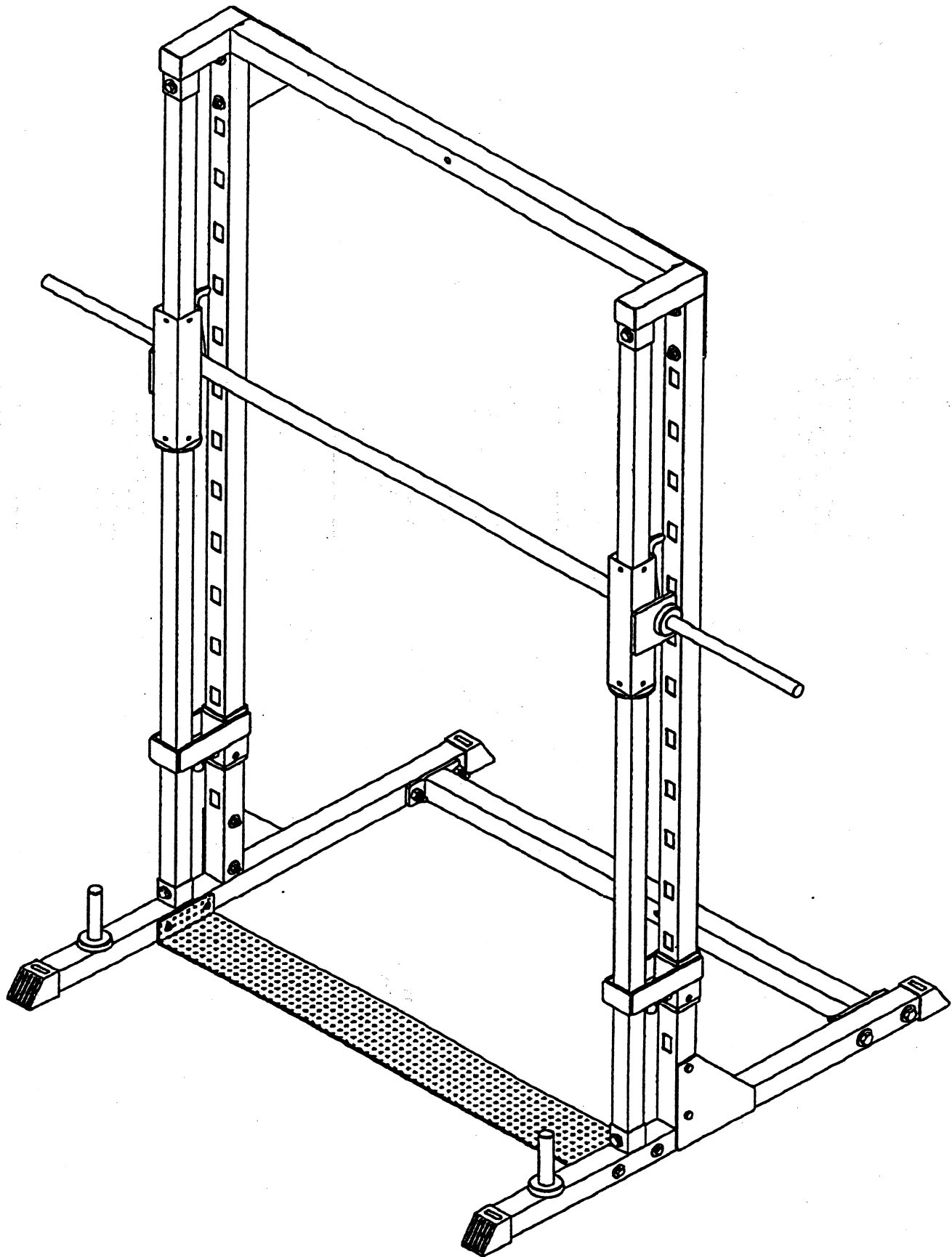
Машина Смита Body Solid Powerline PSM144

Полезные ссылки:

[Машина Смита Body Solid Powerline PSM144 - смотреть на сайте](#)

[Машина Смита Body Solid Powerline PSM144 - читать отзывы](#)

PSM-144

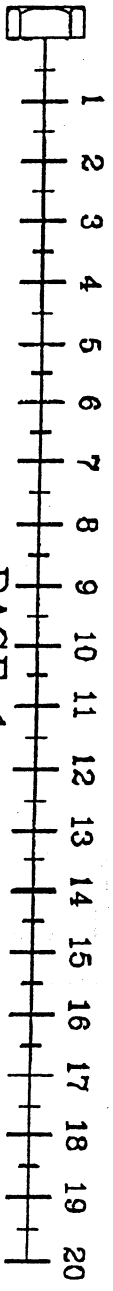
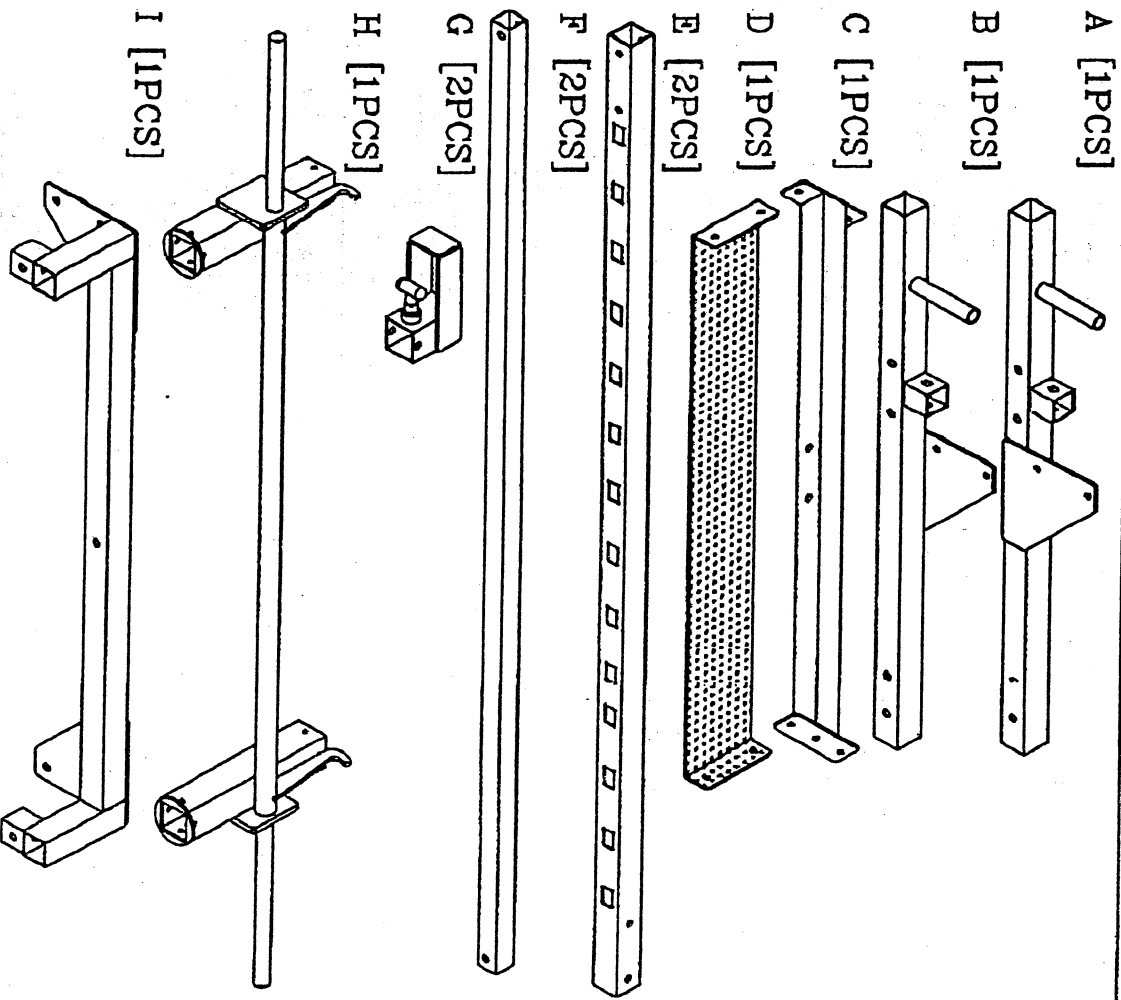
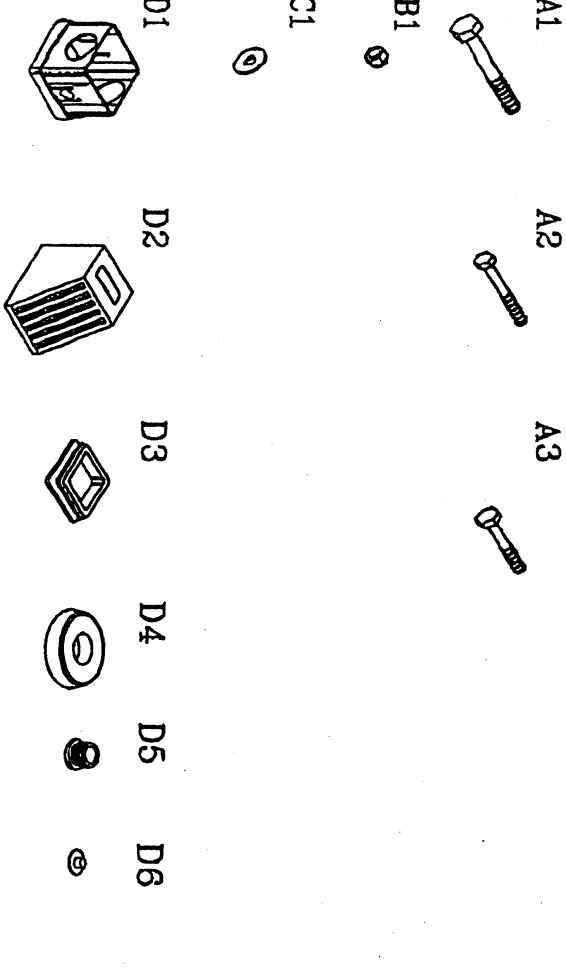


VERSION 0207

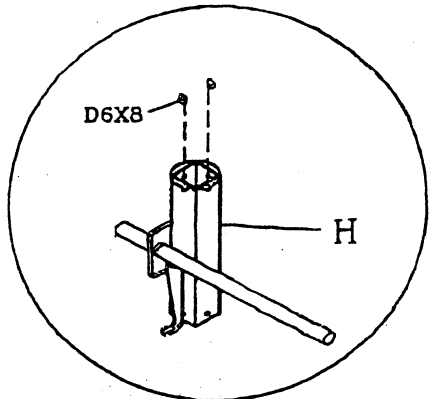
HARDWARE ILLUSTRATION SHEET

PARTS ILLUSTRATION SHEET

	Qty.
A1. M10X65L HEX HEAD BOLT -----	[4PCS]
A2. M10X70L HEX HEAD BOLT -----	[12PCS]
A3. M10X60L HEX HEAD BOLT -----	[4PCS]
B1. M10 NYLON LOCK NUT -----	[20PCS]
C1. M10 (1.D) WASHER -----	[24PCS]
D1. 60X50 NYLON BUSHING (9211-033) -----	[4PCS]
D2. 2"X2" FOOT CAP (9212-032) -----	[4PCS]
D3. 2"X2" END CAP (9211-005) -----	[2PCS]
D4. Ø2 1/2" RUBBER DOUNT (9310-011) -----	[4PCS]
D5. Ø1" ROUND END CAP (9211-016) -----	[2PCS]
D6. Ø8 ROUND END CAP (9211-034) -----	[16PCS]



PSM-144



Using a pair of pliers, press D6 round end caps into all Sides of I weight carriage—Make Sure flat surface of caps are On the inside of carriages.

