

Инструкция

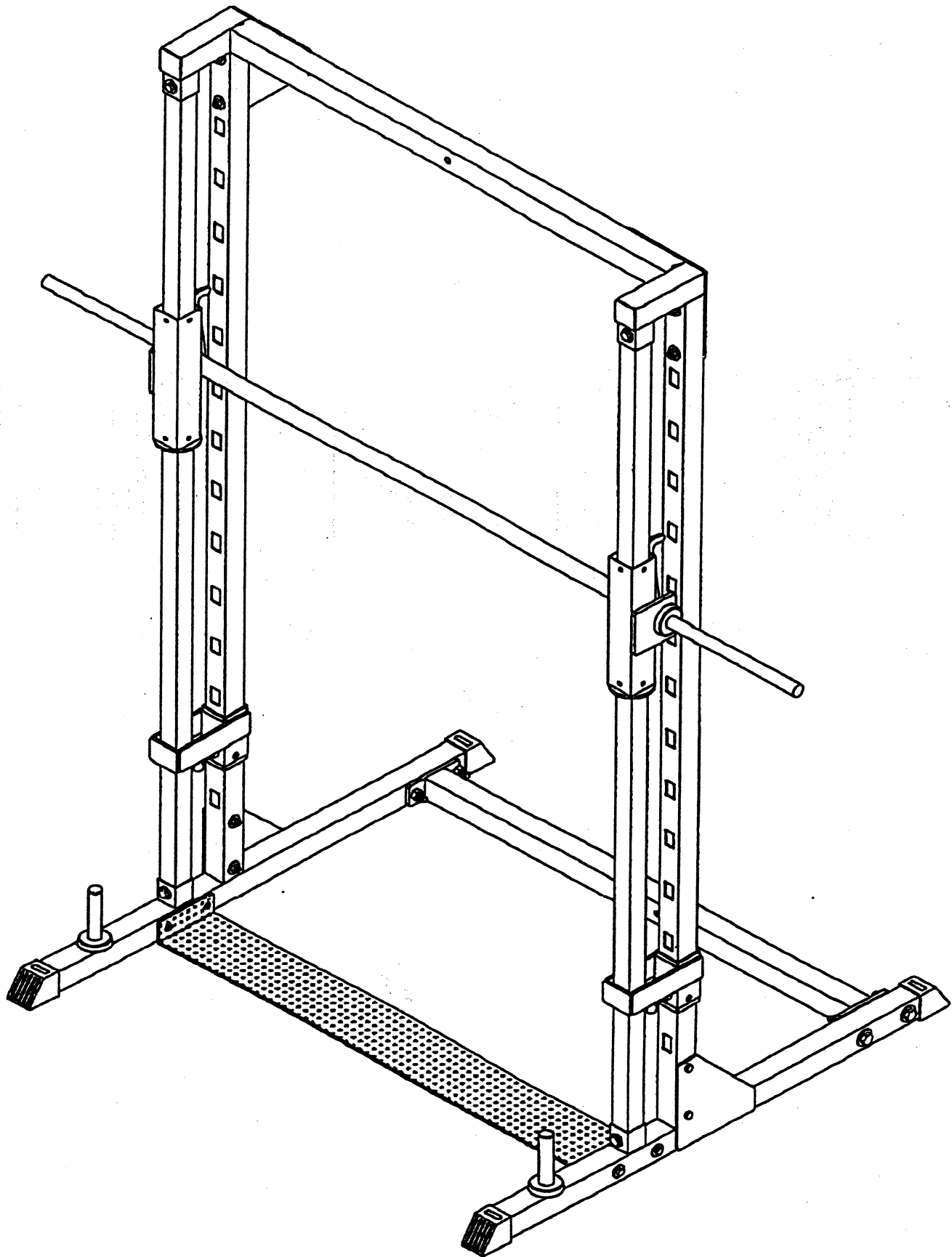
Машина Смита Body Solid POWERLINE PSM144X

Полезные ссылки:

[Машина Смита Body Solid POWERLINE PSM144X - смотреть на сайте](#)

[Машина Смита Body Solid POWERLINE PSM144X - читать отзывы](#)

PSM-144

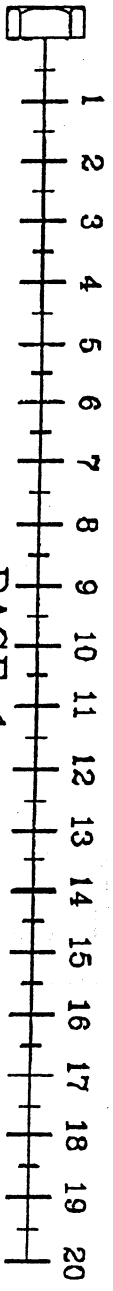
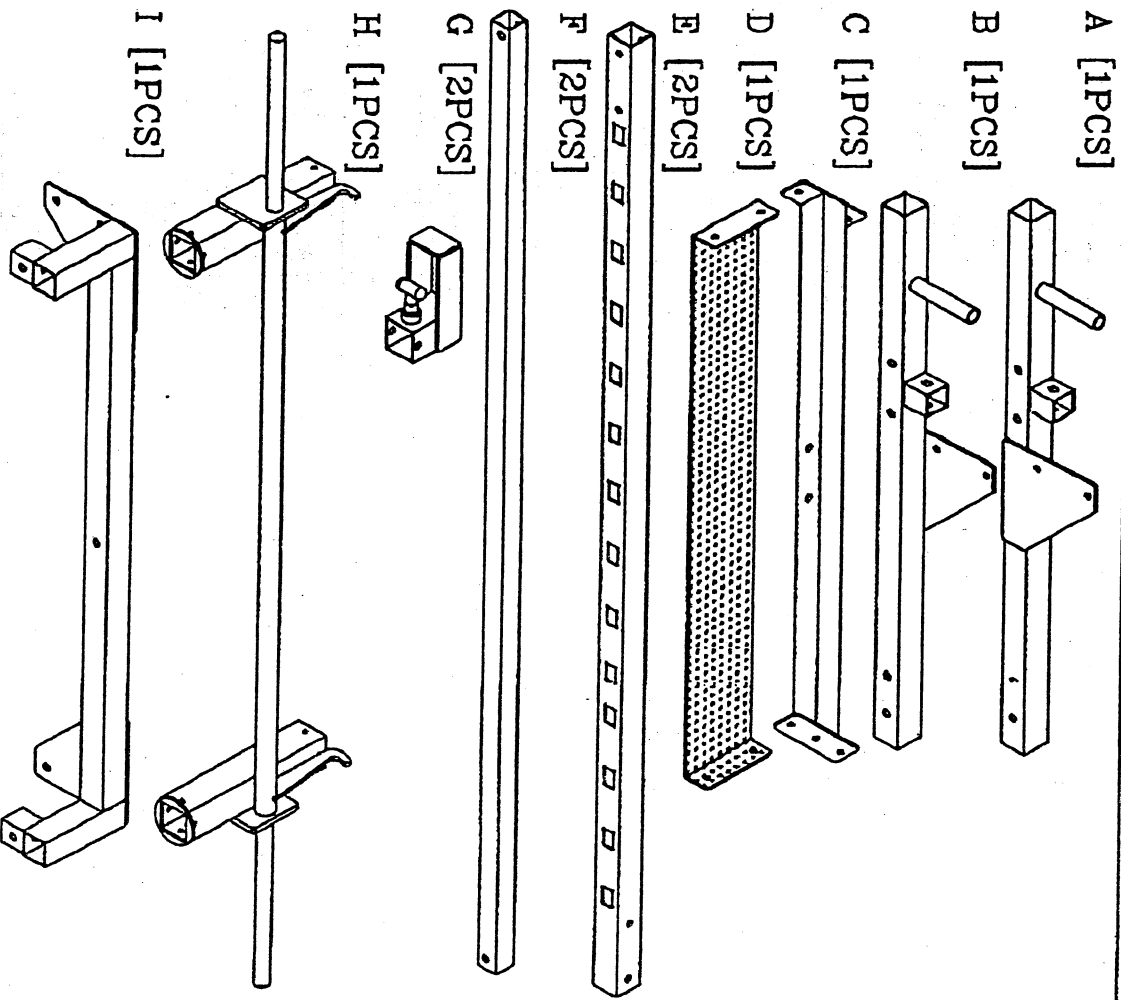
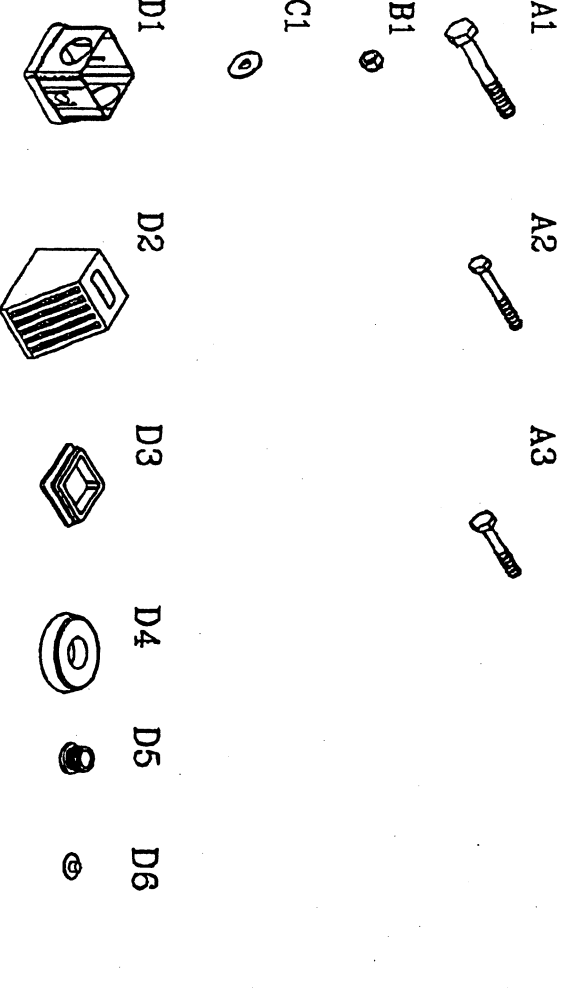


VERSION 0207

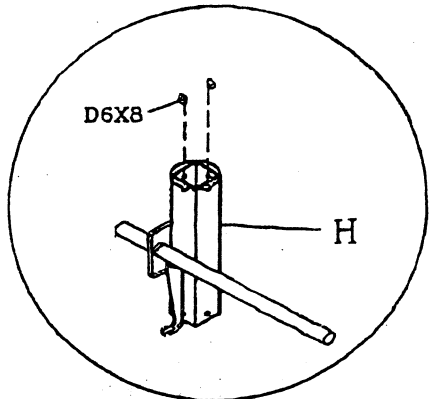
HARDWARE ILLUSTRATION SHEET

PARTS ILLUSTRATION SHEET

- | | | | |
|-----|---------------------------------|-------|---------|
| A1. | M10X65L HEX HEAD BOLT | ----- | [4PCS] |
| A2. | M10X70L HEX HEAD BOLT | ----- | [12PCS] |
| A3. | M10X60L HEX HEAD BOLT | ----- | [4PCS] |
| B1. | M10 NYLON LOCK NUT | ----- | [20PCS] |
| C1. | M10 (1.D) WASHER | ----- | [24PCS] |
| D1. | 60X50 NYLON BUSHING (9211-033) | ----- | [4PCS] |
| D2. | 2"X2" FOOT CAP (9212-032) | ----- | [4PCS] |
| D3. | 2"X2" END CAP (9211-005) | ----- | [2PCS] |
| D4. | Ø2 1/2" RUBBER DOUNT (9310-011) | ----- | [4PCS] |
| D5. | Ø1" ROUND END CAP (9211-016) | ----- | [2PCS] |
| D6. | Ø8 ROUND END CAP (9211-034) | ----- | [16PCS] |



PSM-144



Using a pair of pliers, press D6 round end caps into all Sides of I weight carriage—Make Sure flat surface of caps are On the inside of carriages.

