

Инструкция

Разгибание спины Svensson Industrial H3031 Matte black

Полезные ссылки:

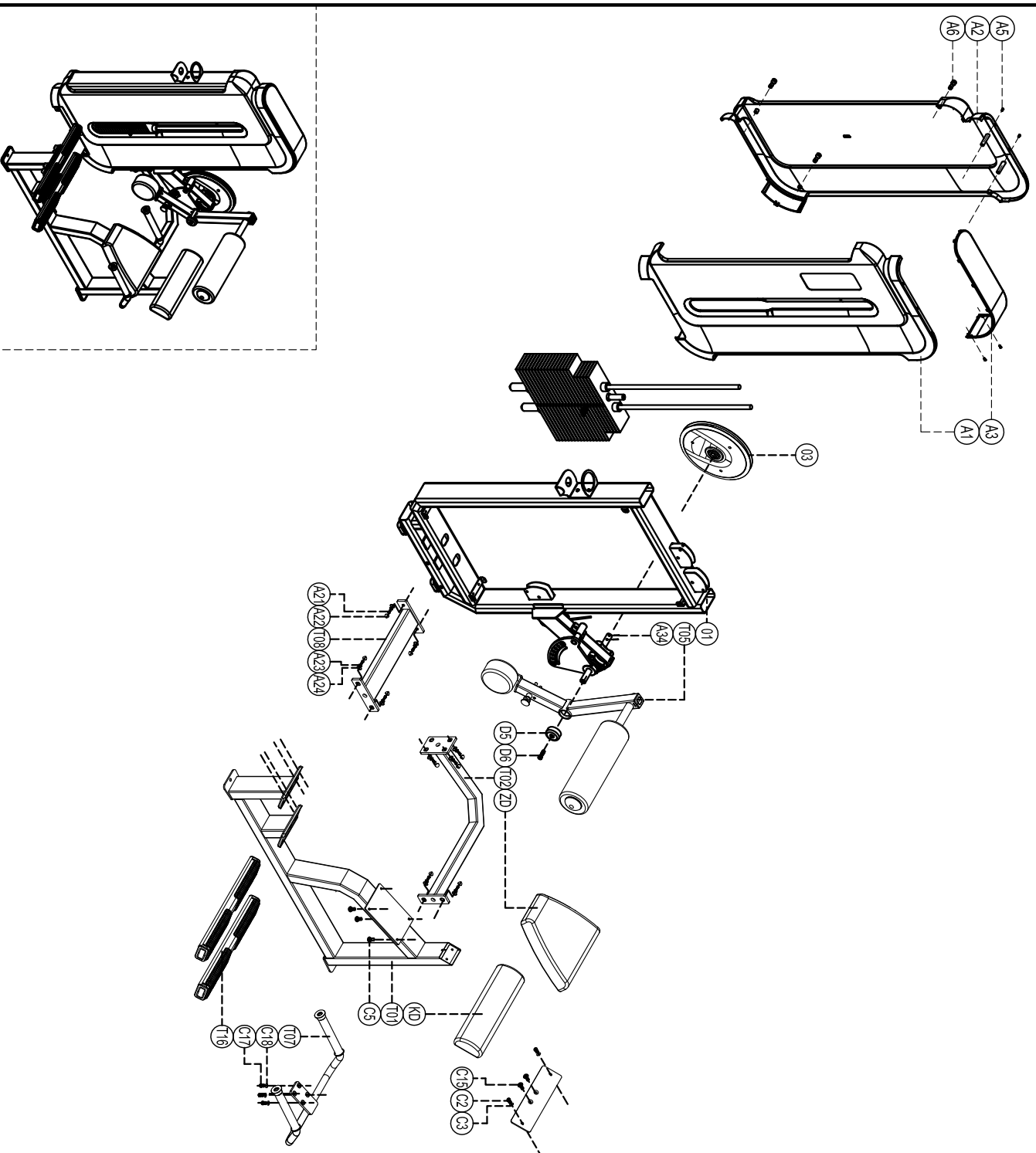
[Разгибание спины Svensson Industrial H3031 Matte black - смотреть на сайте](#)

[Разгибание спины Svensson Industrial H3031 Matte black - читать отзывы](#)

Exploded

H3031 Ab Back extension

please note :parts didn't demollitione part and fast emers not listde on the introduction



| | | |
|--------|------------------------------------|----------|
| D6 | Socket Cap inner hex M10*16 | 1 |
| D5 | Aluminum top cover B309 | 1 |
| C19 | Spring washer Φ10 | 4 |
| C17 | Outer hex screw M10*30 | 4 |
| C15 | Sink inner hex screw M10*20 | 2 |
| C5 | Sink inner hex screw M8*35 | 4 |
| C3 | Flat washer Φ8.3*Φ20*11.5 | 2 |
| C2 | Cup head inner hex screw M8*35 | 2 |
| B | weight stack set | 1 |
| A34 | Dowel pin Φ8*50 | 2 |
| A24 | Gasket D4003 Φ29.8*Φ12*14 | 18 |
| A23 | Spring washer Φ12 | 18 |
| A22 | Screw cap S277 Φ3.3*16 | 18 |
| A21 | Outer hex screw M12*35 | 18 |
| A6 | Cup head inner hex screw M5*15 | 8 |
| A5 | Cup head cross tapping screw S7388 | 4 |
| A3 | Top cover | 1 |
| A2 | Back shroud | 1 |
| A1 | Front shroud | 1 |
| KD | Backrest | 1 |
| ZD | Upholstery | 1 |
| T16 | Frame for footrest | 2 |
| T08 | Bottom connector | 1 |
| T07 | Handle set | 1 |
| T05 | Working ara support | 1 |
| 01 | Door frame | 1 |
| T03 | Cam set | 1 |
| T02 | Back support set | 1 |
| T01 | Bent frame | 1 |
| Number | Name | Quantity |