

## **Инструкция**

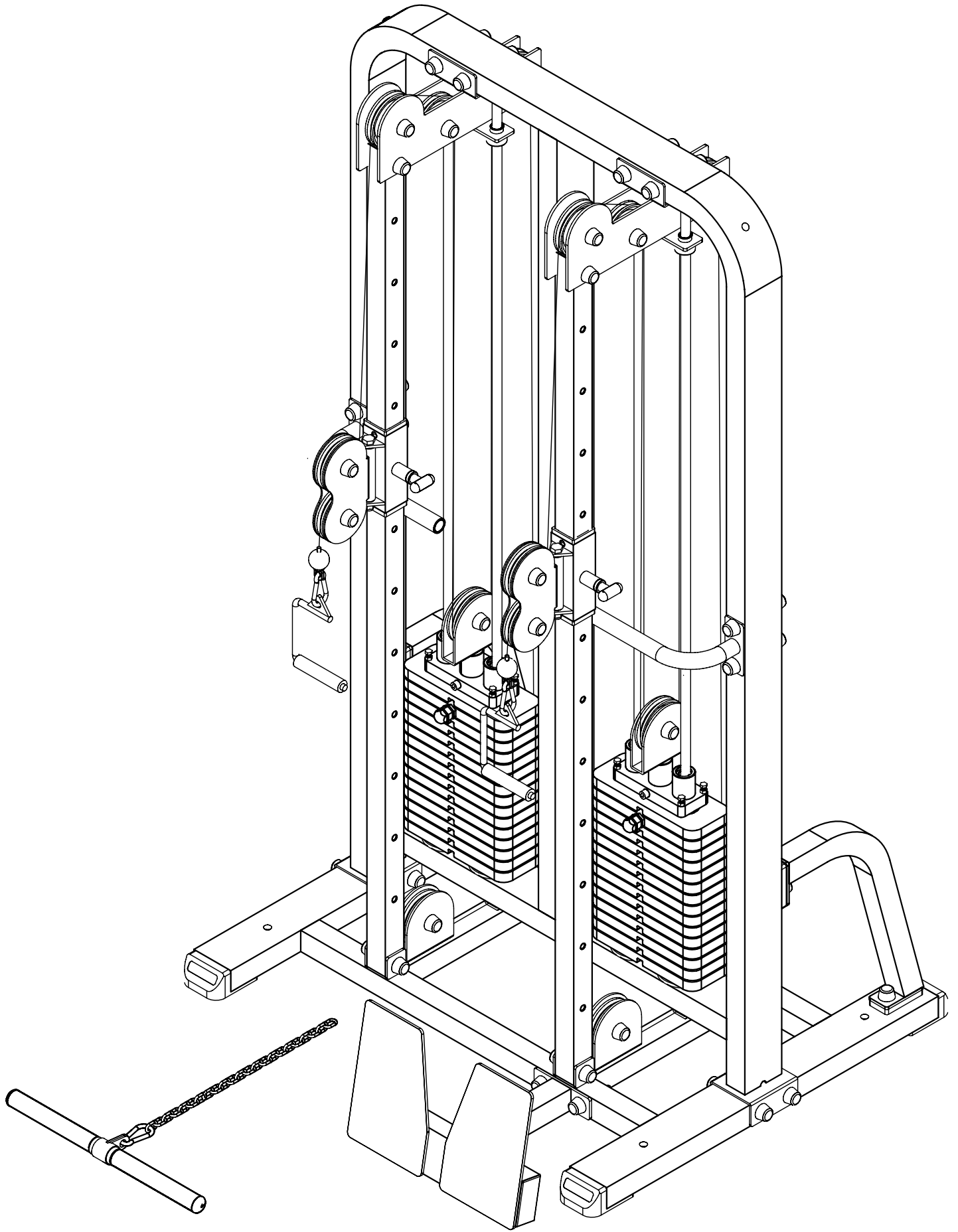
### **Сдвоенная блочная стойка Body Solid ProClub SDC-2000G**

Полезные ссылки:

[Сдвоенная блочная стойка Body Solid ProClub SDC-2000G - смотреть на сайте](#)

[Сдвоенная блочная стойка Body Solid ProClub SDC-2000G - читать отзывы](#)

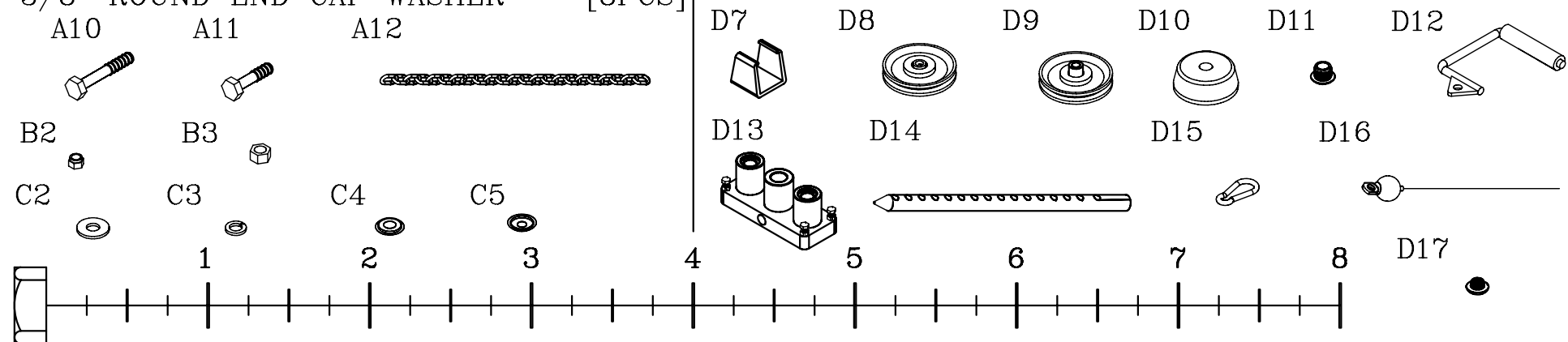
SDC-2000G



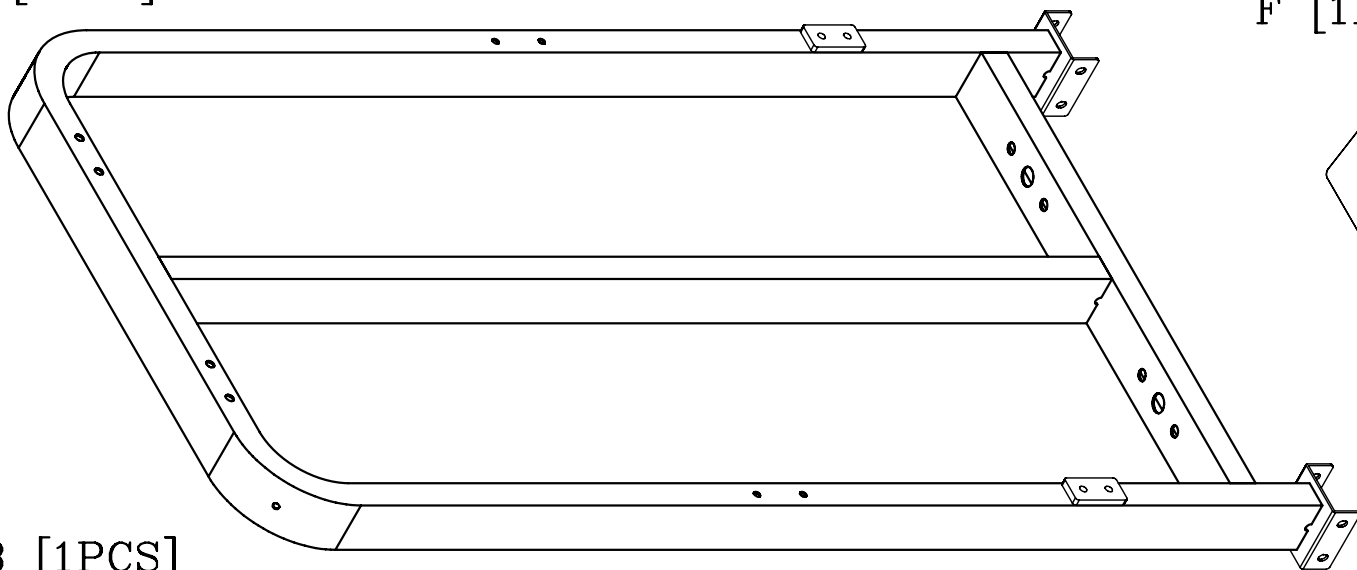
VERSION 200505

		Qty.
A1	A1. 1/2"X6 1/4" HEX HEAD BOLT-----	[2PCS]
	A2. 1/2"X5" HEX HEAD BOLT-----	[8PCS]
	A3. 1/2"X3 1/4" HEX HEAD BOLT-----	[10PCS]
A2	A4. 1/2"X2 1/4" HEX HEAD BOLT-----	[6PCS]
	A5. 1/2"X1" HEX HEAD BOLT-----	[4PCS]
	A6. 7/16"X1 1/2" ROUND BOLT-----	[2PCS]
A3	A7. 1/2"X1 1/2" HEX HEAD BOLT-----	[2PCS]
	A8. 3/8"X4 3/4" HEX HEAD BOLT-----	[4PCS]
	A9. 10LB PIN-----	[2PCS]
A4	A10. 1/2"X3" HEX HEAD BOLT-----	[2PCS]
	A11. 1/2"X2" HEX HEAD BOLT-----	[4PCS]
A5	A12. STEEL CHAIN-----	[1PCS]
A6	B1. 1/2" NYLON LOCK NUT-----	[32PCS]
	B2. 3/8" NYLON LOCK NUT-----	[4PCS]
	B3. 1/2" LOCK NUT-----	[2PCS]
A7	C1. 3/8" (I.D) WASHER-----	[4PCS]
	C2. 1/2" (I.D) WASHER-----	[2PCS]
	C3. 1/2" SPRING WASHER-----	[2PCS]
A8	C4. 1/2" ROUND END CAP WASHER---	[64PCS]
	C5. 3/8" ROUND END CAP WASHER---	[8PCS]

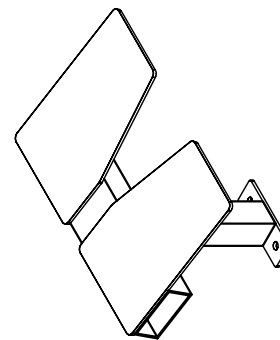
		Qty.
D1.	1/2" BOLT CAP -----	[72PCS]
D2.	2"X4" END CAP (9211-014) -----	[2PCS]
D3.	ø5/8" ROUND END CAP (9211-015)-----	[6PCS]
D4.	2"X4" FOOT CAP (9211-028) -----	[4PCS]
D5.	60X50 NYLON BUSHING (9211-033)-----	[4PCS]
D6.	ø3/4" SHAFT COLLAR (9211-050)-----	[4PCS]
D7.	2"X2" RUBBER DOUNT (9212-010)-----	[2PCS]
D8.	ø4 1/2"X25L PULLEY (9213010+8530006)--	[10PCS]
D9.	ø4 1/2"X50L PULLEY (9213010+8530005)---	[6PCS]
D10.	ø4" RUBBER DONUT (9310-017) -----	[4PCS]
D11.	ø31.8 ROUND END CAP (9211-023)-----	[2PCS]
D12.	STIRRUP HANDLE (8290-002)-----	[2PCS]
D13.	CHROME TOP PLATE (8400-002)-----	[2PCS]
D14.	WEIGHT SELECTOR BAR (8220-061)-----	[2PCS]
D15.	SPRING SNAP LINK (8810-001)-----	[3PCS]
D16.	STEEL CABLE-----	[2PCS]
D17.	ø1"x2.5T ROUND END CAP(9260-021)-----	[2PCS]



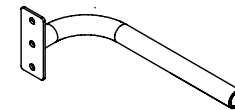
A [1PCS]



F [1PCS]



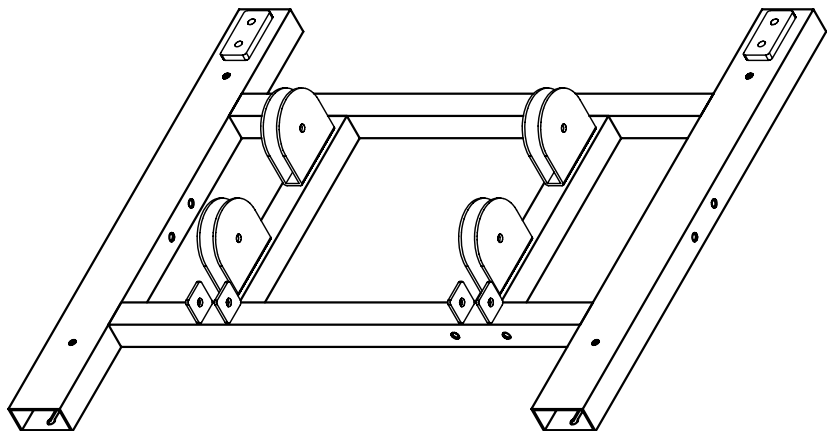
E [2PCS]



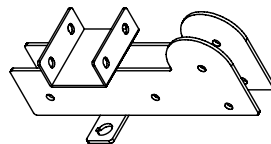
G [2PCS]



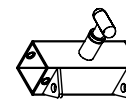
B [1PCS]



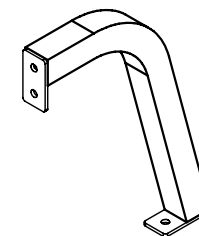
D [2PCS]



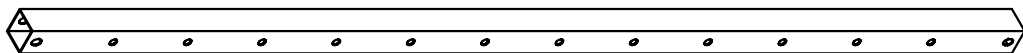
H [2PCS]



I [2PCS]



C [2PCS]



J [4PCS]



K [1PCS]



