

## **Инструкция**

### **Сгибание ног сидя Protrain V8-505-200**

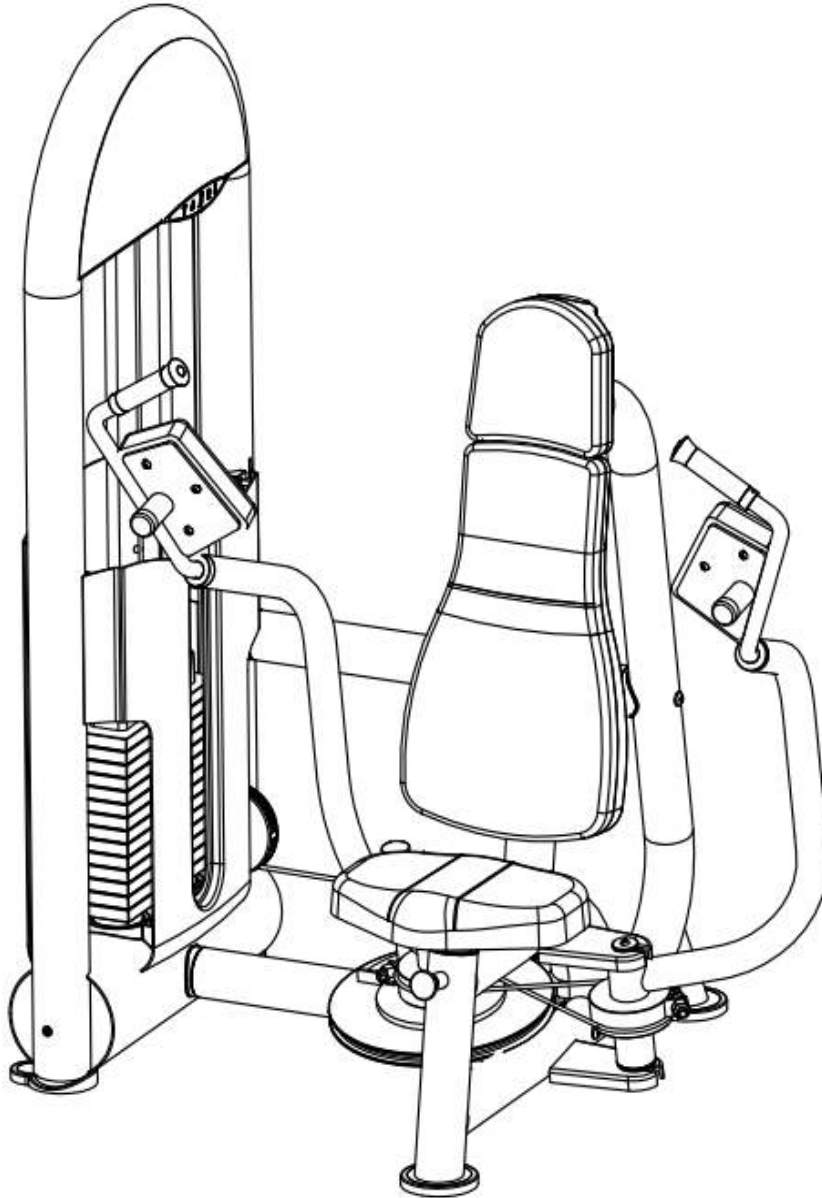
Полезные ссылки:

[Сгибание ног сидя Protrain V8-505-200 - смотреть на сайте](#)

[Сгибание ног сидя Protrain V8-505-200 - читать отзывы](#)

# 6207 Installation Instruction

## Butterfly



# Catalogue

Brief	.....02
Frame Installation	.....03
Force Arm Installation	.....05
Accessories & Cushion Installation	.....06
Slip-Line Wheel Installation	.....07
Weight Stack & Cable Installation	.....08
Cover Installation	.....09
Accessories List	.....10
Bolts & Gaskets Model	.....12

## Briefs

Please take the time to carefully read the instruction before installing .Please refer to the manual to determine the list of all components were packaged well. (If there have some parts missed or damaged please immediately call our customer service department) Please refer to the installation instruction while installing.

This device designed to provide the most effective and smoothest training movements. After installing, you can only know how to use the products after you know all the functions. If there is any question, please check the installation instruction and find out the wrong steps during the installing. If still not work, please contact the distributors authorised by original factory. The code and manual will be needed.

### Tools:

Rubber stick

Levelling instrument

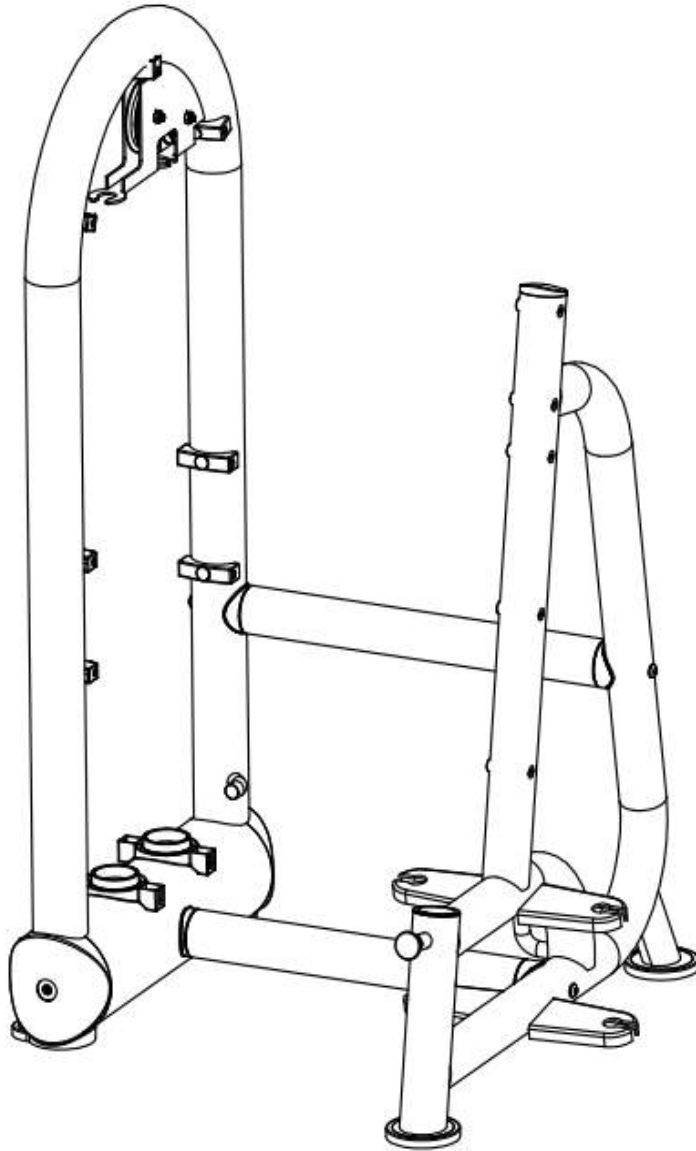
Socket head screw wrench

More than 2 person

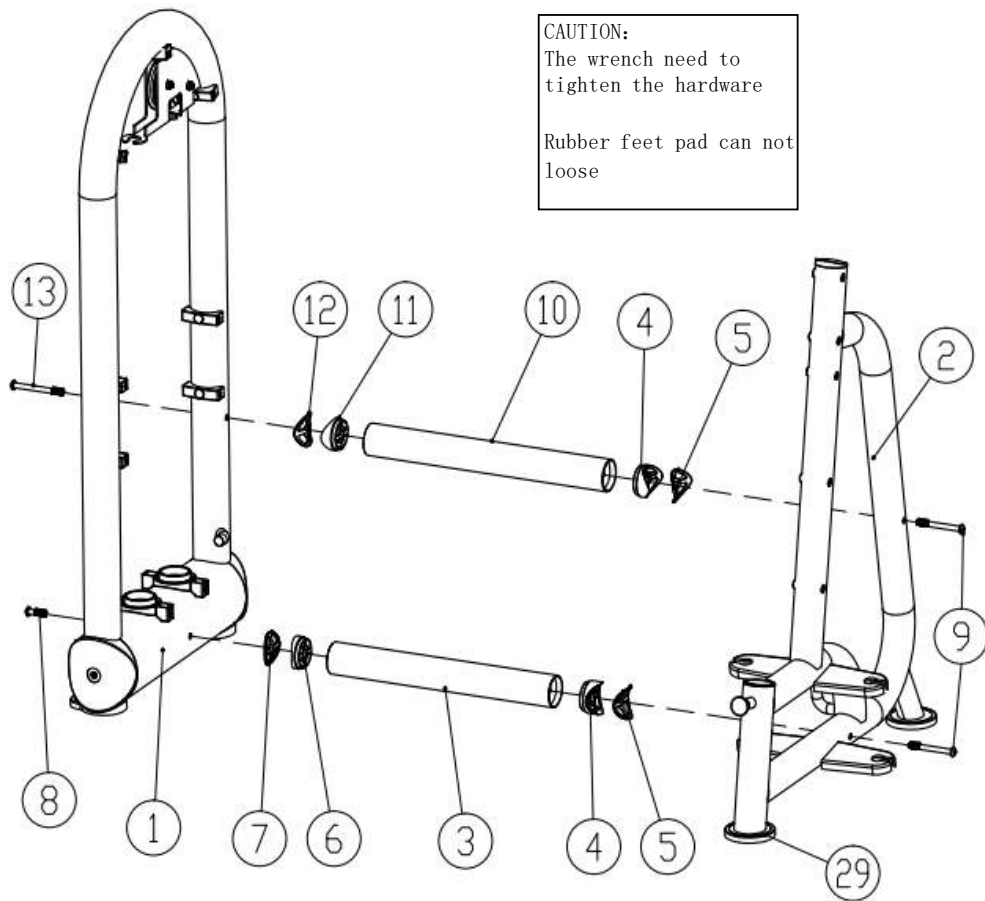
Circlip pliers

The adjustable wrench

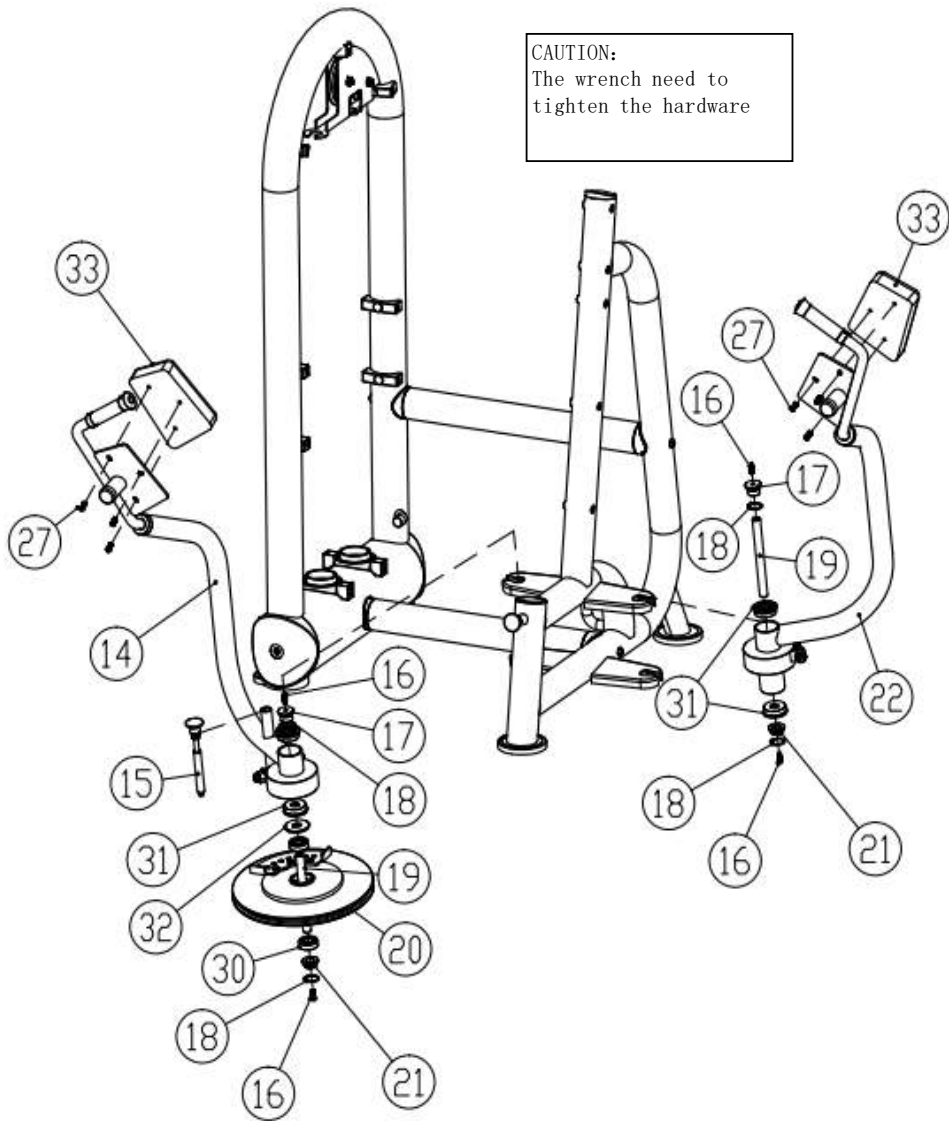
## Installation of the Framework



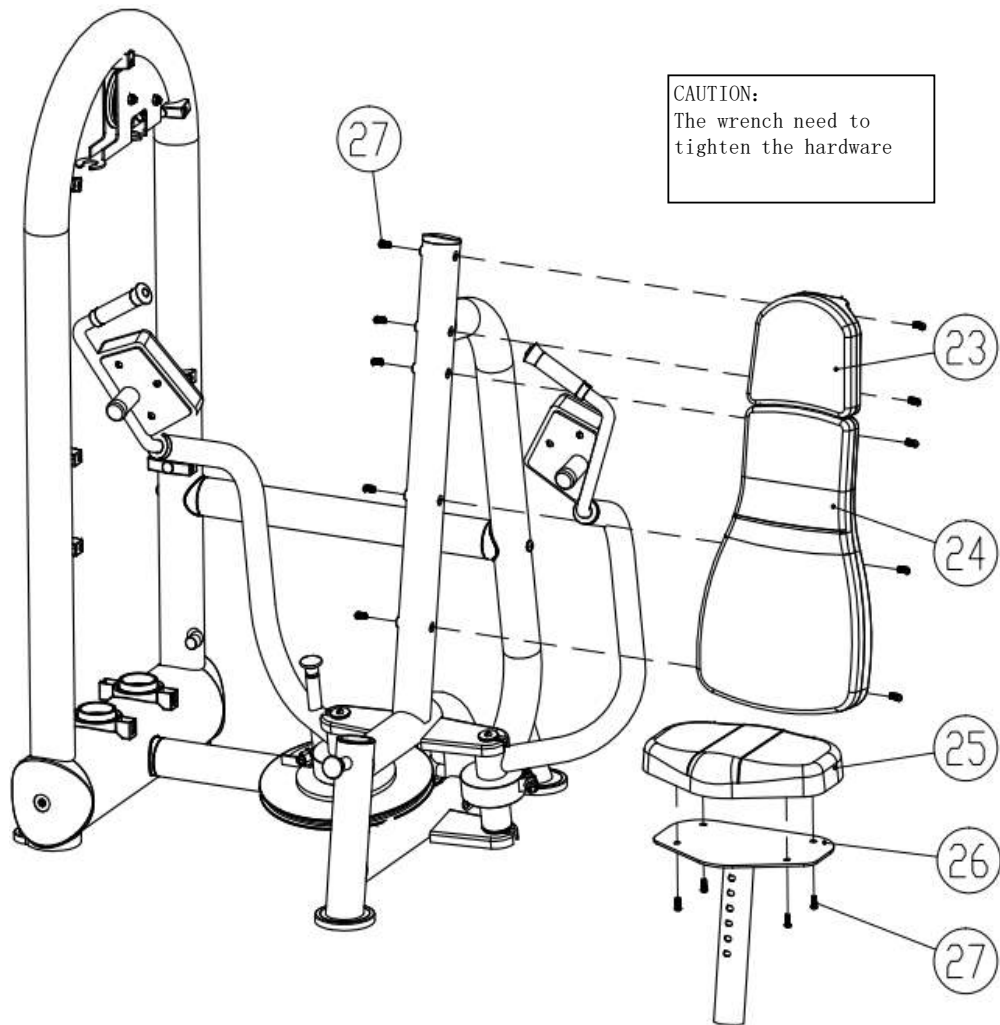
## Installation of the framework



## Force Arm Installation

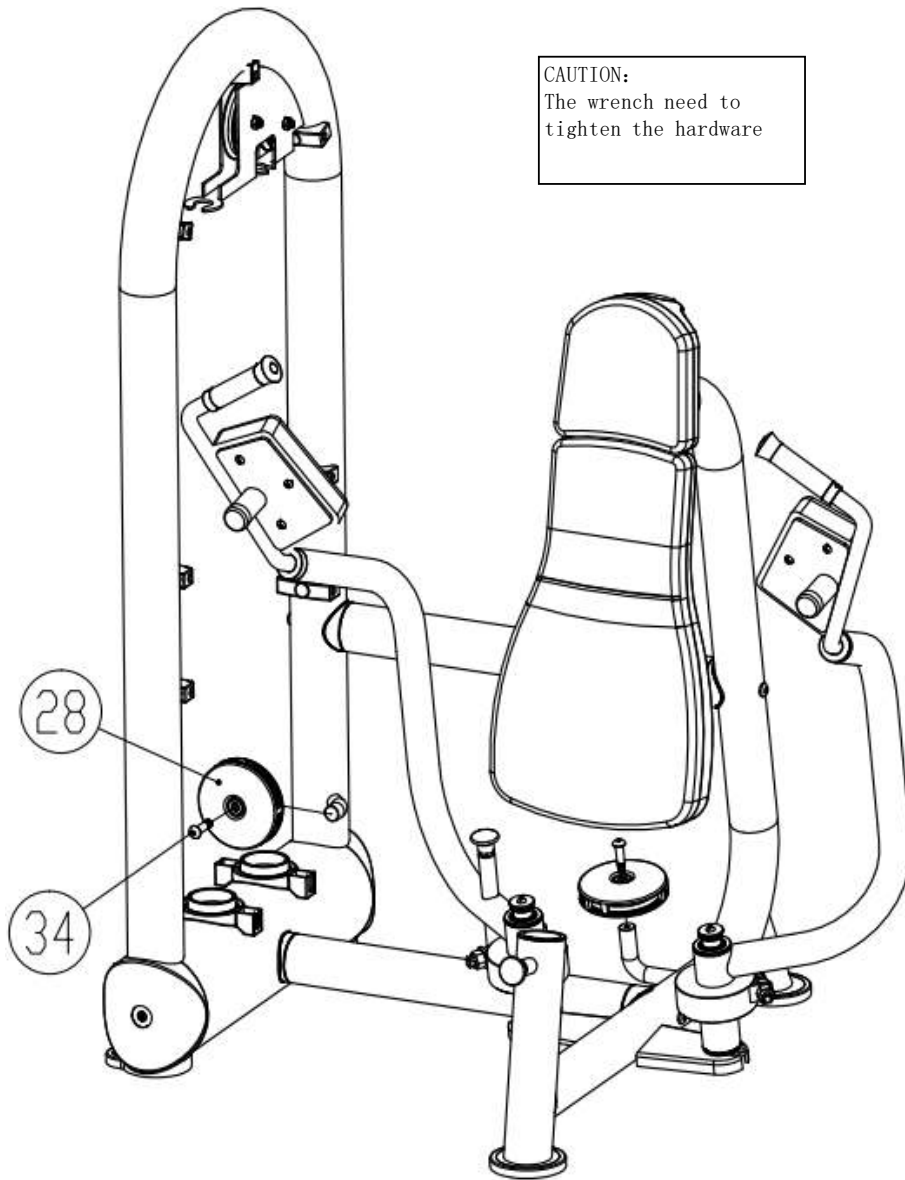


## Accessories and Cushion Installation

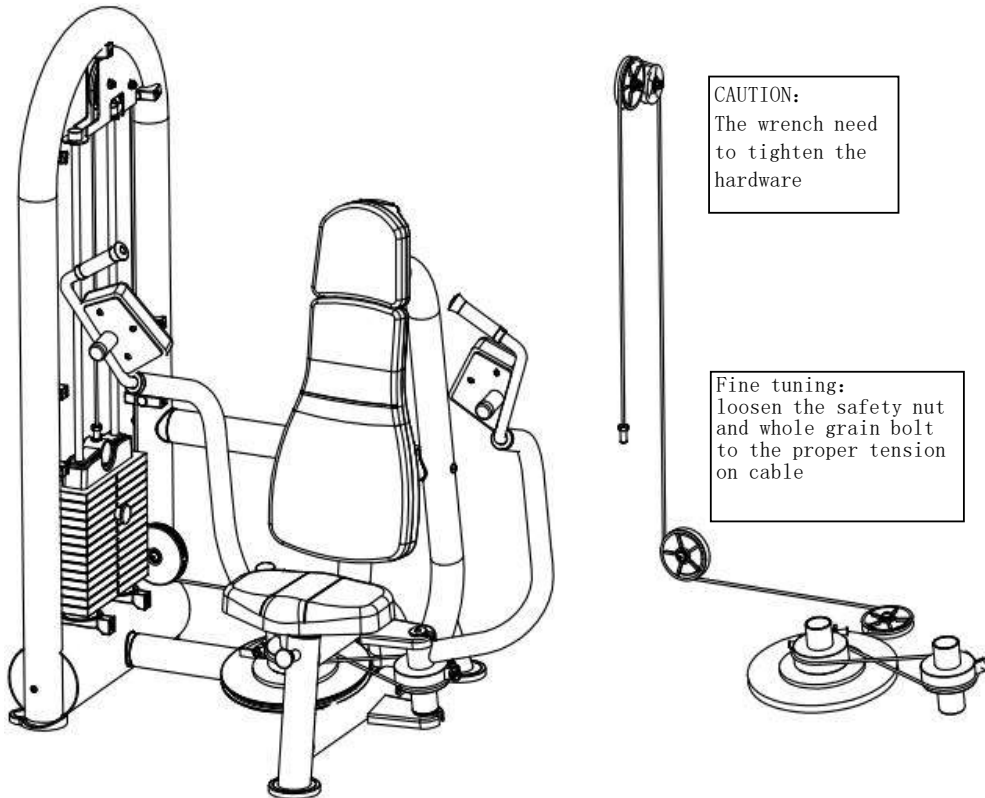




## Slip-Line Wheel Installation



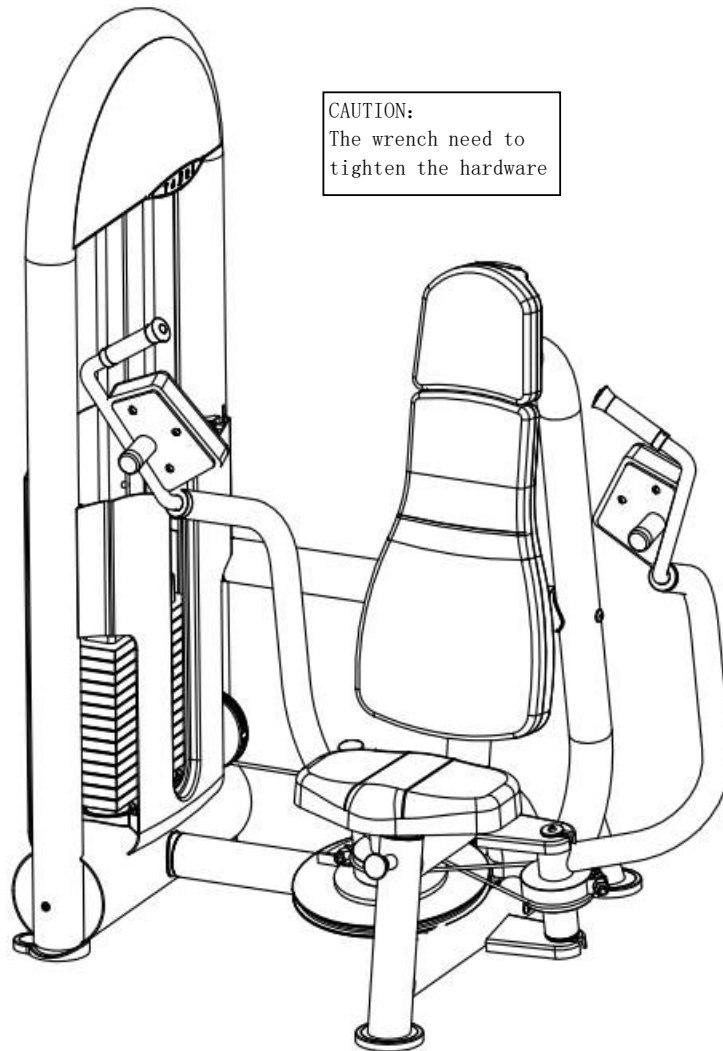
## Weight Stack & Cable Installation



### Important Notification

Please read the 6200 Installation Instruction as the reference to install the Balance Weight Frame and required accessories.

## Cover Installation



### Important Notification

Now 6207 has been assembled. You need to take the time to make sure your device is square and vertical. With a spirit level to check whether the guide bar perpendicular in the two directions. If not, then you have to loosen some of the vertical frame reassembly hardware and tighten the bolts.

### Accessories List

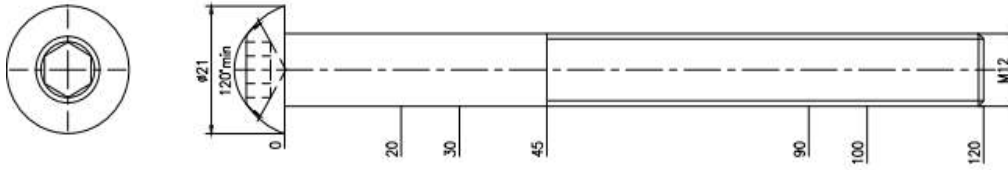
No.	Drawing No.	Name & Specification	Material	Qty
1	6207-01	Balance Weight Frame	Element	1
2	6207-02	Corner Holder	Element	1
3	6207-03	Base Beam	Element	1
4	6207-04	Cast steel joints V $\phi 20*\phi 76*41*R40mm$	Cast Steel	2
5	6207-05	Plastic joints V $\phi 76*R38mm$	PA	2
6	6207-06	Cast steel joints VII $\phi 20*\phi 76*26*R92mm$	Cast Steel	1
7	6207-07	Plastic joints VII $\phi 76*R90mm$	PA	1
8	6207-08	Hexagon socket button head screws M12*50mm	SUS304	1
9	6207-09	Hexagon socket button head screws M12*120mm	SUS304	2
10	6207-10	Top Beam	Element	1
11	6207-11	Cast steel joints VI $\phi 20*\phi 76*36*R46.5mm$	Cast Steel	1
12	6207-12	Plastic joints VI $\phi 76*R44.5mm$	PA	1
13	6207-13	Hexagon socket button head screws M12*130mm	SUS304	1
14	6207-14	Right Force Arm	Element	1
15	6207-15	Pull Pin	Element	1
16	6207-16	Hexagon socket button head screws M8*25mm	SUS304	4
17	6207-17	Force Arm Shaft Fixing Sleeve I	45	2
18	6207-18	Clamp Spring $\phi 30*1.2mm$	65Mn	4
19	6207-19	Force Arm Shaft $\phi 20*210mm$	45	2

Model: 6207

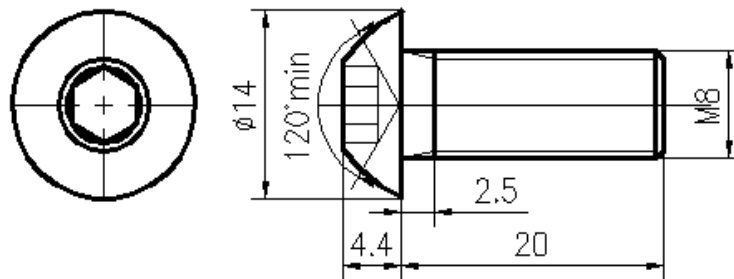
### Accessories List

No.	Drawing No.	Name & Specification	Material	Qty
20	6207-20	Regulate Plate	Element	1
21	6207-21	Force Arm Shaft Fixing Sleeve II	Element	2
22	6207-22	Left Force Arm	Element	1
23	6207-23	Headrest Set	Element	1
24	6207-24	Back Pad Set	Element	1
25	6207-25	Leather Saddle Set	Element	1
26	6207-26	Seat Board	Element	1
27	6207-27	Hexagon socket button head screws M8*20mm	SUS304	14
28	6207-28	Slip-Line Wheel Set $\phi$ 120	Element	2
29	6207-29	$\phi$ 100 Rubber Foot pad	Rubber	2
30	6207-30	6204 Deep Groove Ball Bearing	Element	2
31	6207-31	6004 Deep Groove Ball Bearing	Element	4
32	6207-32	Plastic Gasket 5* $\phi$ 50mm	PA	1
33	6207-33	Elbow Pad	Element	2
34	6207-34	Slip-Line Wheel Shaft M10*47mm	SUS304	2

## Bolts & Gaskets Model



Hexagon socket button head screws M12\*20mm M12\*30mm M12\*100mm M12\*120mm



Hexagon socket button head screws M8\*20mm