

Инструкция

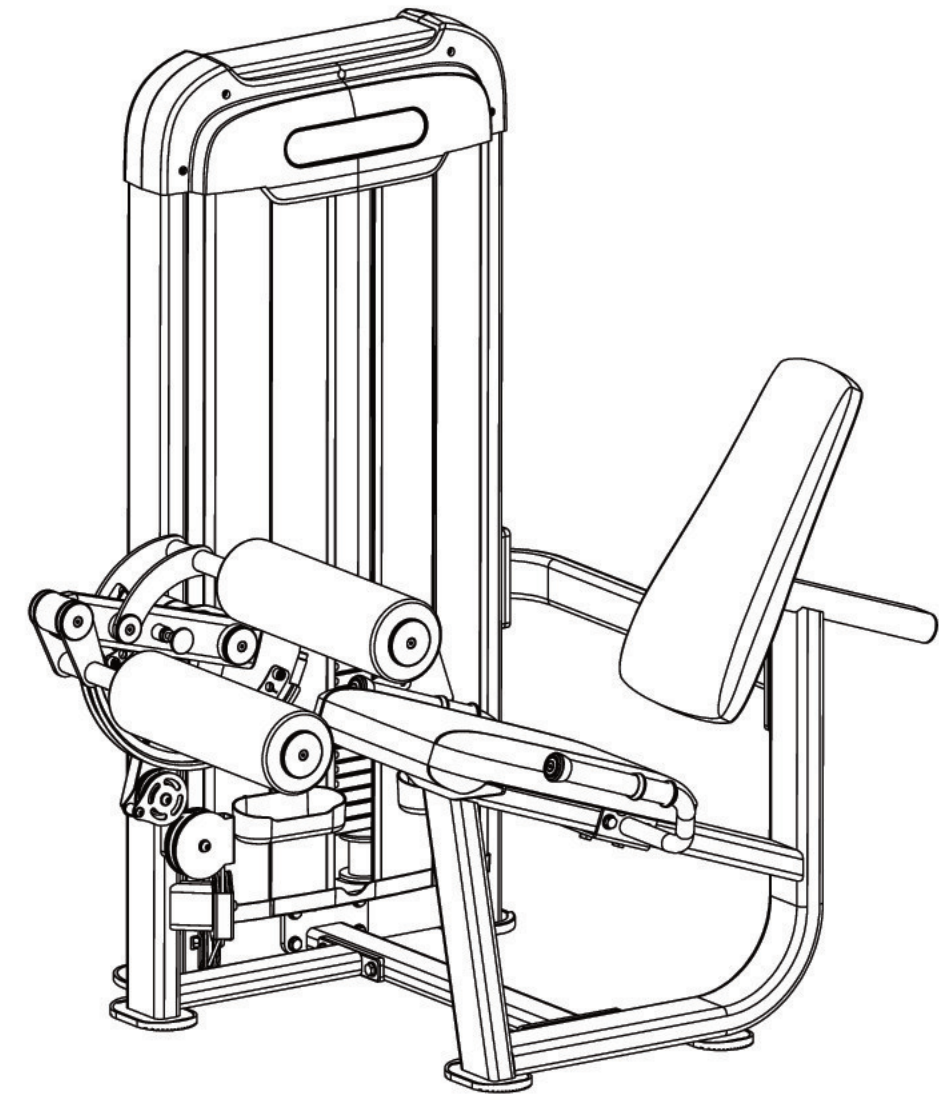
Сгибание/разгибание ног сидя AnyFit PS04-96

Полезные ссылки:

[Сгибание/разгибание ног сидя AnyFit PS04-96 - смотреть на сайте](#)

[Сгибание/разгибание ног сидя AnyFit PS04-96 - читать отзывы](#)

AnyFit®



AnyFit®

ANYFIT HEALTH TECH GMBH (international)
Hanauer Landstr. 287-289,60314 Frankfurt am Main,DE
P:+49(0)69 90439168
F:+49(0)69 90439169
W:www.anyfit.de

LEG EXTENSION / LEG CURL PS04

Copyright © 2018 Anyfit . All rights reserved .

Before use, please read through the guide book and keep well.

**LEG EXTENSION
/ LEG CURL
PS04**



CAUTION:

Read all precautions and instructions in this manual
before using this equipment.

TABLE OF CONTENTS

Important Safety Instructions	3
Instructions	4
Parts List	5
Exploded View	7
Measurement Guide	9
Assembly Instructions	10
Assembly	11
Maintenance Schedule	17
General Maintenance Information	18
Weight Training Tips	20
Specifications	20

Important Safety Instructions

Before beginning any fitness program, you should obtain a complete physical examination from your physician. When using exercise equipment, basic precautions should always be taken, including the following:

- Read all instructions before using the equipment. These instructions are written to ensure your safety and to protect the unit.
- Do not allow children on or near the equipment.
- Use the equipment only for its intended purpose as described in this guide. Do not use accessory attachments that are not recommended by the manufacturer: such attachments might cause injuries.
- Wear proper exercise clothing and shoes for your workout---no loose clothing.
- Be careful when getting on or off the equipment.
- Do not overexert yourself or work to exhaustion.
- If you feel any pain or abnormal symptoms, stop your workout immediately and consult your physician.
- Never operate the unit when it has been dropped or damaged.
- Never drop or insert anything into any opening in the equipment.
- Always check the unit and its cables before each use. Make sure that all fasteners and cables are secure and in good working condition.
- Frayed or worn cables can be dangerous and may cause injury. Periodically check these cables for any indication of wear.
- Keep hands, limbs, loose clothing and long hair well out of the way of moving parts.
- Do not attempt to lift more weight than you can control safely.
- Do not use the equipment outdoors.

Personal Safety During Assembly

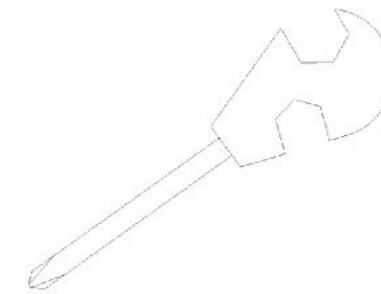
- Read each step in the assembly instructions and follow the steps in sequence. Do not skip ahead. If you skip ahead, you may learn later that you have to disassemble components and that you may have damaged the equipment.
- Assemble and operate the equipment on a solid, level surface. Locate the unit a few feet from walls or furniture to provide easy access. The equipment is designed for your enjoyment. By following these precautions and using common sense, you will have many safe and pleasurable hours of healthful exercise with the equipment.

Instructions

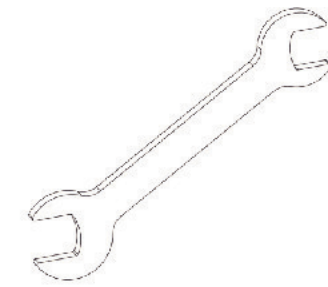
Before beginning assembly please take the time to read instructions thoroughly. Please use the various lists in this manual to make sure that all parts have been included in your carton. When ordering, use part number and description from the lists. Use only our replacement part when servicing. Failure to do so will void your warranty and could result in personal injury.

The equipment is designed to provide the smoothest, most effective exercise motion possible. After assembly, you should check all functions to ensure correct operation. If you experience problems, first recheck the assembly instructions to locate any possible errors made during assembly. If you are unable to correct the problem, call your authorized dealer. Be sure to have your serial number and this manual when calling. When all parts have been accounted for, continue on.

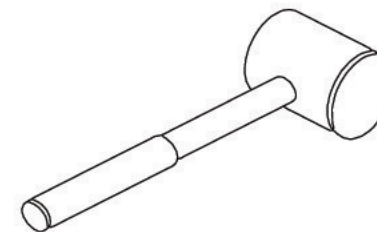
Tools Required



Punch Wrench



Wrench



Rubber Mallet



Hex Key Wrench Set

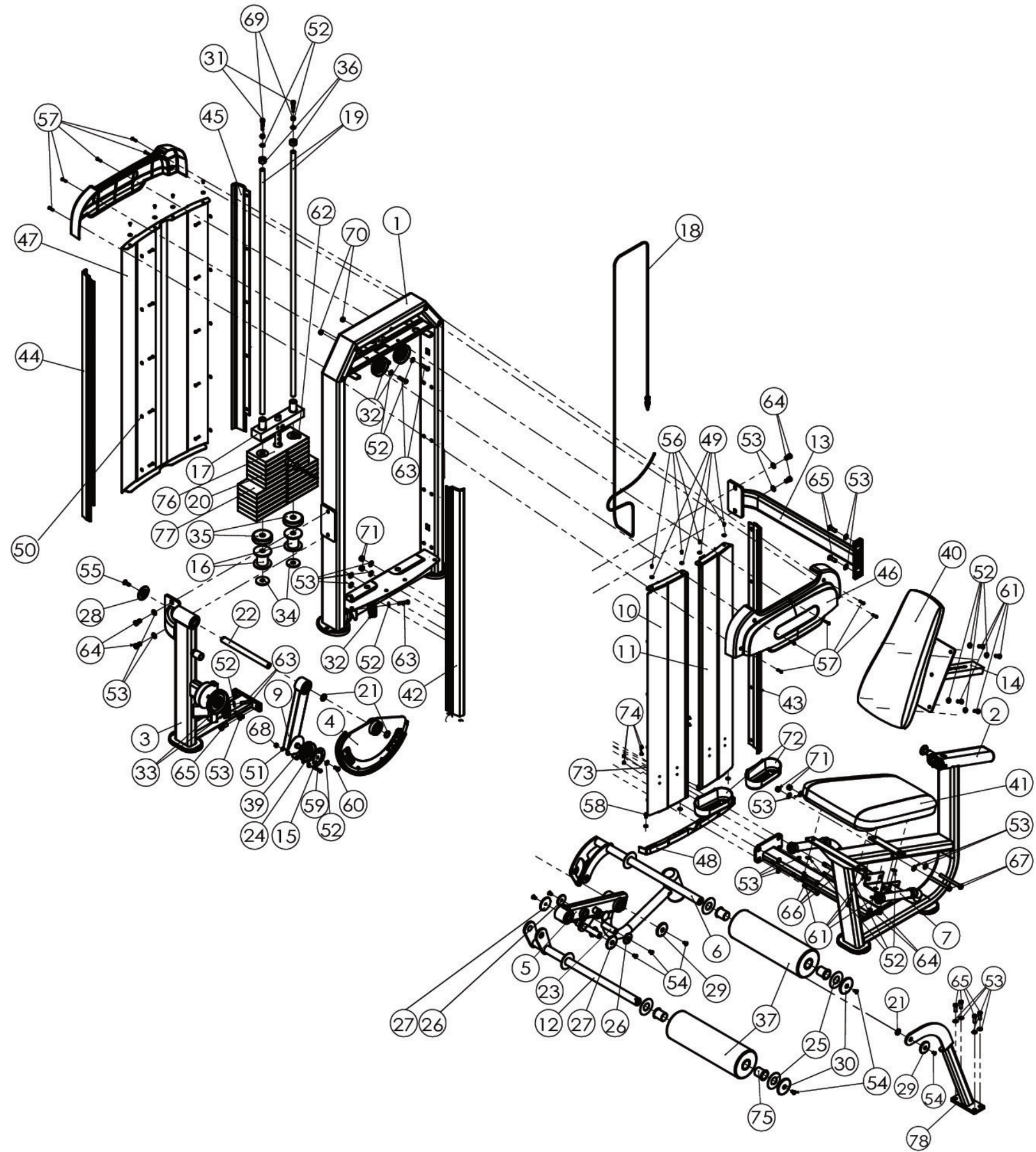
Parts List

Note: some of these parts may come pre-installed.

ITEM NO.	DESCRIPTION	Qty
1	Weight Frame Assembly	1
2	Main Frame Assembly	1
3	Rotating Plate Support Frame	1
4	Rotating Plate Assembly	1
5	Rotating Plate Arm Bracket	1
6	Curl Foam Frame Assembly	1
7	Handle Frame Assembly	1
8	Bottom Connection Frame Assembly	1
9	Rotating Plate Swing Frame Assembly	1
10	Front Cover (Left)	1
11	Front Cover (Right)	1
12	Extension Foam Frame Assembly	1
13	Central Connection Frame	1
14	Back Pad Frame	1
15	Pulley Protection Cover	1
16	Weight Support	2
17	Top Plate Assembly	1
18	Cable	1
19	Guiding Rod	2
20	Magnetic Selection Pin	1
21	Bearing Washer	3
22	Rotating Shaft	1
23	Short Shaft	2
24	Aluminum Pulley $\phi 89$	1
25	Stainless Plate	4
26	Outer End Cap $\phi 50$	2
27	Outer End Cap $\phi 65$	2
28	Outer End Cap $\phi 11 \times \phi 65 \times 12.9$	1
29	Bearing Cap $\phi 65$	1
30	Outer End Cap $\phi 80$	2
31	Socket Head Cap Screw $\phi 7.5 \times M10 \times 45$	2
32	Pulley Group $\phi 89$	3
33	Pulley Group $\phi 114$	2
34	Rubber Pad $\phi 60 \times \phi 19.3 \times 5$	2
35	Buffer Pad of Weight Plates	2
36	Guiding Rod Cover	2
37	Long Foam	2
39	Cable Cover	1

ITEM NO.	DESCRIPTION	Qty
40	Back Pad	1
41	Seat Pad	1
42	Side Cover (Right Front)	1
43	Side Cover (Left Front)	1
44	Side Cover (Right Rear)	1
45	Side Cover (Left Rear)	1
46	Top Cover	2
47	Back Cover	1
48	Bottom Cover	1
49	Flat Washer $\phi 5.5 \times \phi 15 \times 1$	8
50	Flat Washer $\phi 6.5 \times \phi 12 \times 1.2$	20
51	Flat Washer $\phi 8.5 \times \phi 16 \times 1.5$	6
52	Flat Washer $\phi 11 \times \phi 20 \times 2$	19
53	Flat Washer $\phi 13 \times \phi 24 \times 2$	28
54	Flat head Cap Screw M8 \times 16	7
55	Flat head Cap Screw M10 \times 30	1
56	Button Head Cap Screw M5 \times 10	8
57	Button Head Cap Screw M6 \times 20	30
58	Button Head Cap Screw M8 \times 16	4
59	Button Head Cap Screw M8 \times 40	1
60	Button Head Cap Screw M10 \times 20	1
61	Button Head Cap Screw M10 \times 30	8
62	Socket Head Cap Screw M10 \times 35	1
63	Button Head Cap Screw M10 \times 45	5
64	Hex Head Bolt M12 \times 25	6
65	Hex Head Bolt M12 \times 35	10
66	Hex Head Bolt M12 \times 85	4
67	Hex Head Bolt M12 \times 130	2
68	Nut M8	1
69	Hex Nut M10	2
70	Nut M10	2
71	Nut M12	6
72	Storage Box	2
73	Flat Washer $\phi 4.3 \times \phi 12 \times 1$	8
74	Cross Recessed Round Head Screw	8
75	Liner Bushing $\phi 36$	4
76	Weight Plates (6Kg)	6
77	Weight Plates (9Kg)	6
78	Reinforced Fixed Welding	1

Exploded View



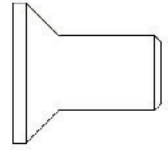
Measurement Guide



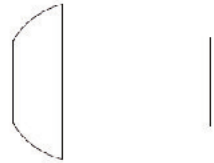
Cross Recessed Pan Head Tapping Screw



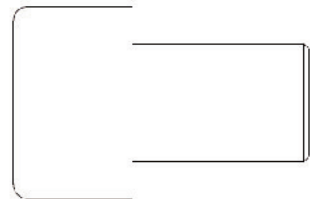
Hex Socket Set Screw with Flat Point



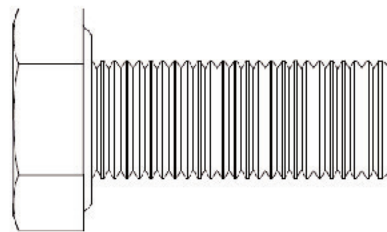
Flat Head Cap Screw



Button Head Cap Screw



Socket Head Cap Bolt



Hex Bolt



Assembly Instructions

Assembly of the equipment takes professional installers about 2 hours. If this is the first time you have assembled this type of equipment, plan to spend more time. It is strongly recommended to assemble the equipment by professional installers. You may find it quicker, safer, and easier to assemble this equipment with the help of a friend, as some of components may be large, heavy or awkward to handle alone. It is important that you assemble your product in a clean, clear, uncluttered area. This will enable you to move around the product while you are fitting components and reduce the possibility of injury during assembly.

Note: As with any assembled part, proper alignment and adjustment is critical. While tightening the fasteners, be sure to leave room for adjustments. Do not fully tighten the fasteners until instructed to do so. Be careful to assemble the components in the sequence presented in this guide.

Assembly

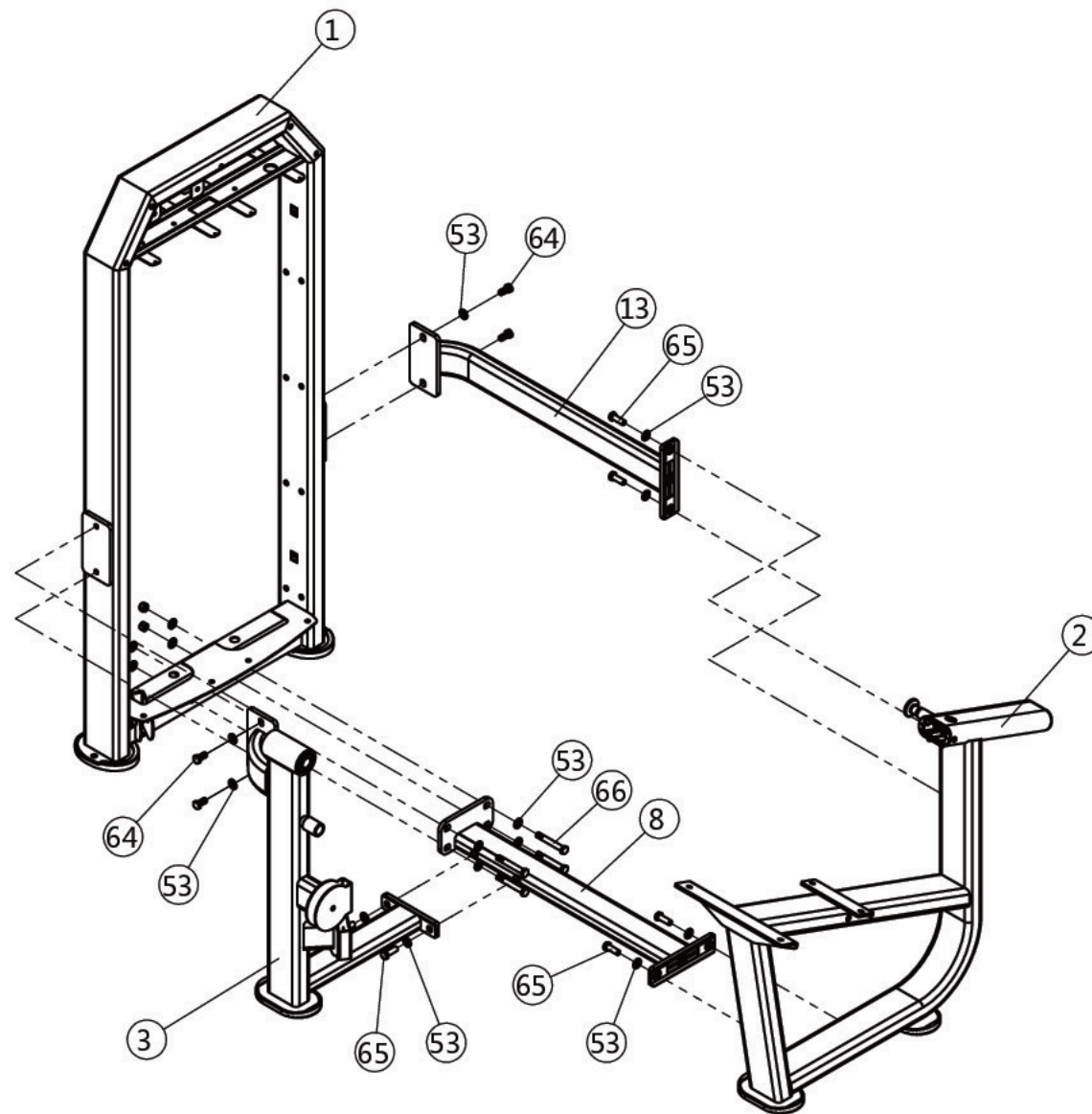
Step 1

1. Attach Weight Frame Assembly (#1), Rotating Plate Support Frame (#3), Central Connection Frame (#13), Bottom Connection Frame Assembly (#8) using:

12 × Flat Washer $\Phi 13 \times \Phi 24 \times 2$ (#53) 4 × Hex Head Bolt M12X25 (#64)
 4 × Hex Head Bolt M12X35 (#65) 4 × Hex Head Bolt M12X85 (#66)

2. Attach Main Frame Assembly (#2) to Bottom Connection Frame Assembly (#8) using:

2 × Hex Head Bolt M12X35 (#65) 4 × Flat Washer $\Phi 13 \times \Phi 24 \times 2$ (#53)



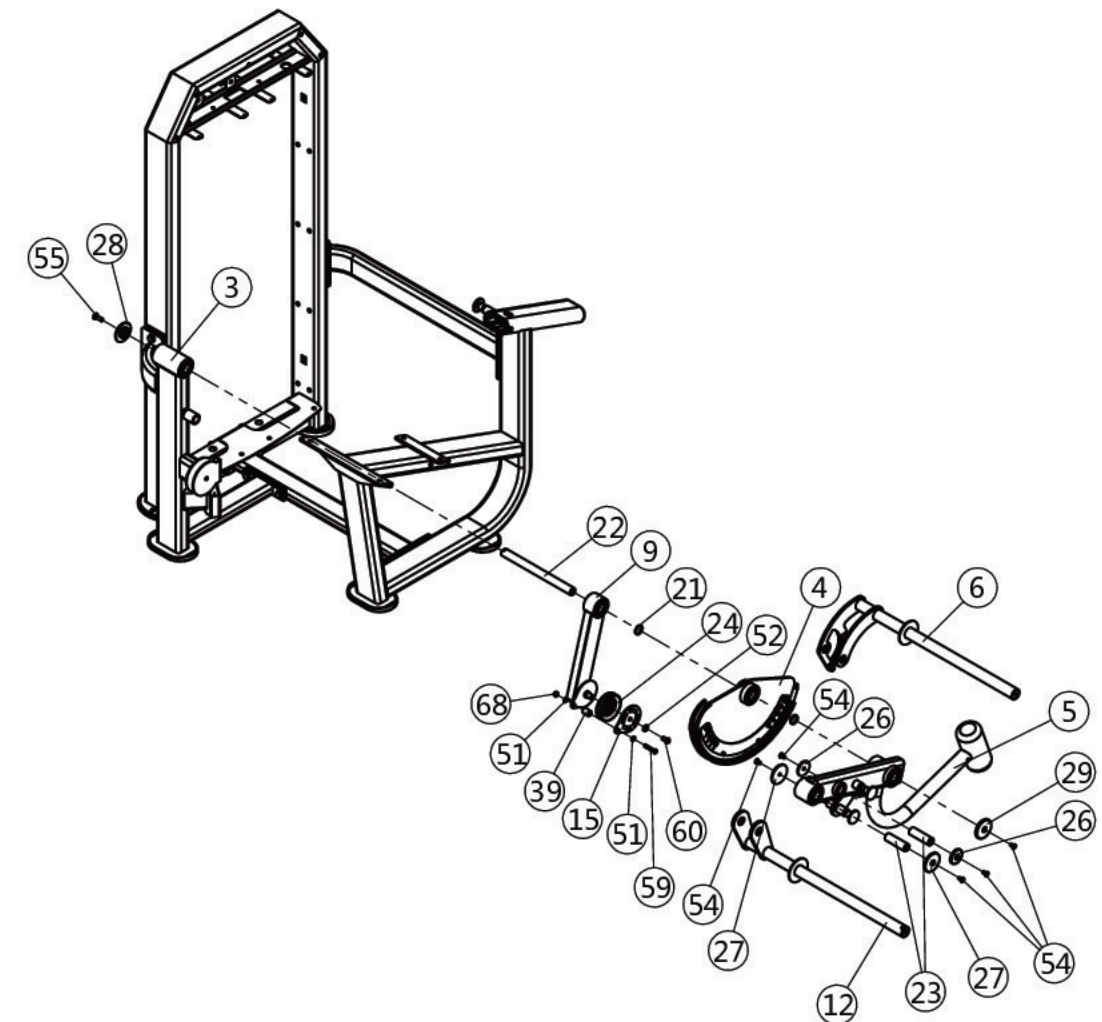
Step 2

1. Attach Rotating Shaft (#22), Rotating Plate Swing Frame Assembly (#9), Rotating Plate Assembly (#4), Rotating Plate Arm Bracket (#5), 3 × Bearing Washer (#21), Pulley Protection Cover (#15), Aluminum Pulley $\varphi 89$ (#24), Cable Cover (#39), Outer End Cap $\Phi 11 \times \Phi 65 \times 12.9$ (#28), Bearing Cap $\varphi 65$ (#29), 1X Reinforced Fixed Welding (#78) to Rotating Plate Support Frame (#3) using:

1 × Flat head Cap Screw M10×30 (#55) 1 × Flat head Cap Screw M8×16 (#54)
 1 × Button Head Cap Screw M10X20 (#60) 1 × Flat Washer $\Phi 11 \times \Phi 20 \times 2$ (#52)
 1 × Button Head Cap Screw M8X40 (#59) 1 × Flat Washer $\Phi 8.5 \times \Phi 16 \times 1.5$ (#51)
 4 × Hex Head Bolt M12X35 (#65) 4 × Flat Washer $\varphi 13 \times \varphi 24 \times 2$ (#53)
 1 × Nut M8 (#68)

2. Attach Curl Foam Frame Assembly (#6), Extension Foam Frame Assembly (#12), 2 × Short Shaft (#23), 2 × Outer End Cap $\varphi 50$ (#26), 2 × Outer End Cap $\varphi 65$ (#27) using:

4 × Flat head Cap Screw M8×16 (#54)

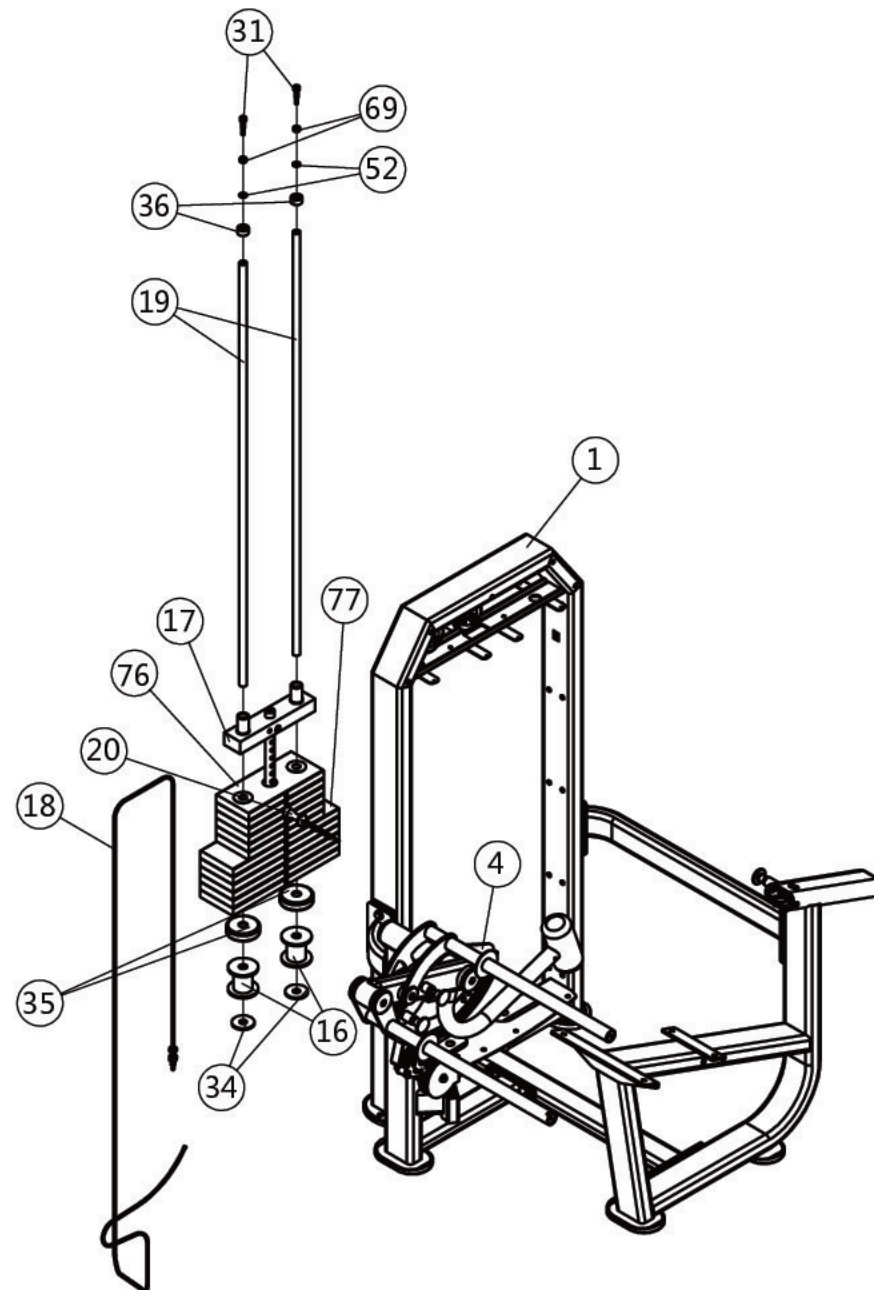


Step 3

1. Attach 2×Guiding Rod (#19), 2×Guiding Rod Cover (#36), 1×Top Plate Assembly (#17), Weight Plates (#76), (#77), 2×Buffer Pad of Weight Plates (#35), 2×Weight Support (#16), 2×Rubber Pad $\Phi 60 \times \Phi 19.3 \times 5$ (#34) to Weight Frame Assembly (#1) using :

2 × Socket Head Cap Screw $\varphi 7.5 \times M10 \times 45$ (#31) 2 × Hex Nut M10 (#69)
 2 × Flat Washer $\Phi 11 \times \Phi 20 \times 2$ (#52)

2. Connect Top Plate Assembly (#17) to Rotating Plate Assembly (#4) thru cable (#18), make sure the cable goes through the pulley correctly as per the picture below shows,



Step 4

1. Attach Storage Box (#72) to Front Cover (Left) (#10) and Front Cover (Right) (#11) using:

8 × Cross Recessed Round Head Screw (#74)
 8 × Flat Washer $\Phi 4.3 \times \Phi 12 \times 1$ (#73)

2. Attach Front Cover (Left) (#10), Front Cover (Right) (#11), Side Cover (Right Front) (#42), Side Cover (Left Front) (#43), Bottom Cover (#48) to Weight Frame Assembly (#1) using:

4 × Flat Washer $\Phi 5.5 \times \Phi 15 \times 1$ (#49) 10 × Flat Washer $\Phi 6.5 \times \Phi 12 \times 1.2$ (#50)
 4 × Flat Washer $\Phi 8.5 \times \Phi 16 \times 1.5$ (#51) 4 × Button Head Cap Screw M5X10 (#56)
 10 × Button Head Cap Screw M6X20 (#57) 4 × Button Head Cap Screw M8X16 (#58)

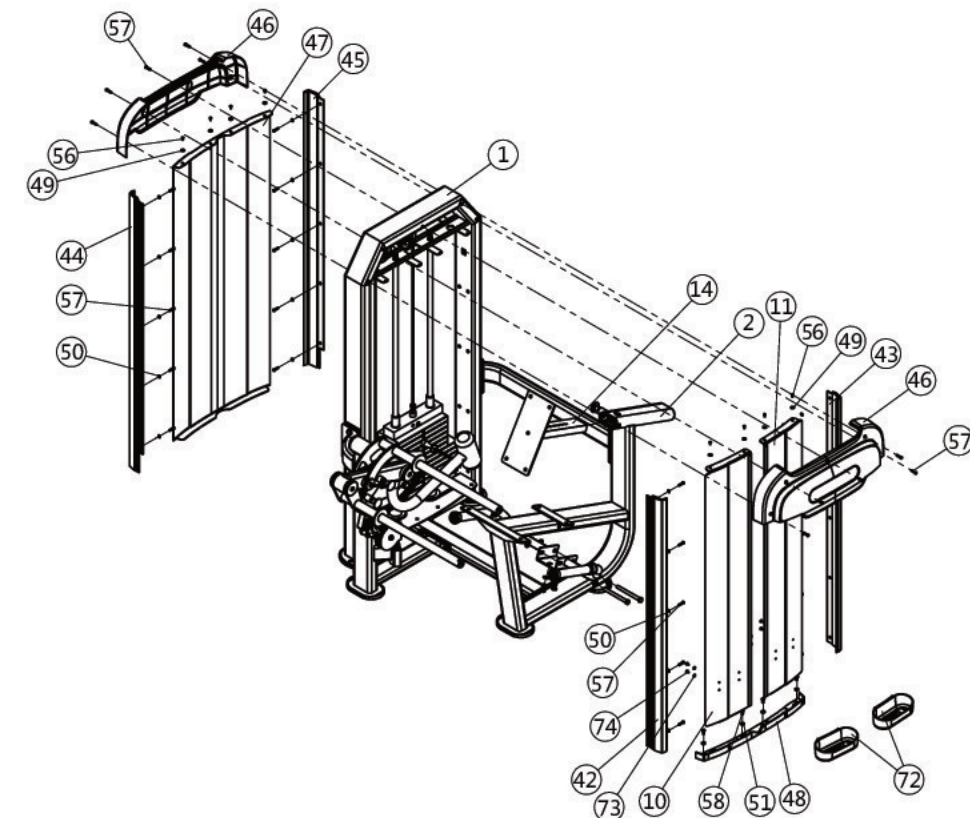
3. Attach Back Cover (#47), Side Cover (Right Rear) (#44), Side Cover (Left Rear) (#45) to Weight Frame Assembly (#1) using:

4 × Flat Washer $\Phi 5.5 \times \Phi 15 \times 1$ (#49) 10 × Flat Washer $\Phi 6.5 \times \Phi 12 \times 1.2$ (#50)
 4 × Button Head Cap Screw M5X10 (#56) 10 × Button Head Cap Screw M6X20 (#57)

4. Attach 2×Top Cover (#46) to Weight Frame Assembly (#1) using:

10 × Button Head Cap Screw M6X20 (#57)

5. Attach Back Pad Frame (#14) to Main Frame Assembly (#2)



Step 5

1. Attach Back Pad (#40) to Back Pad Frame (#14) using:

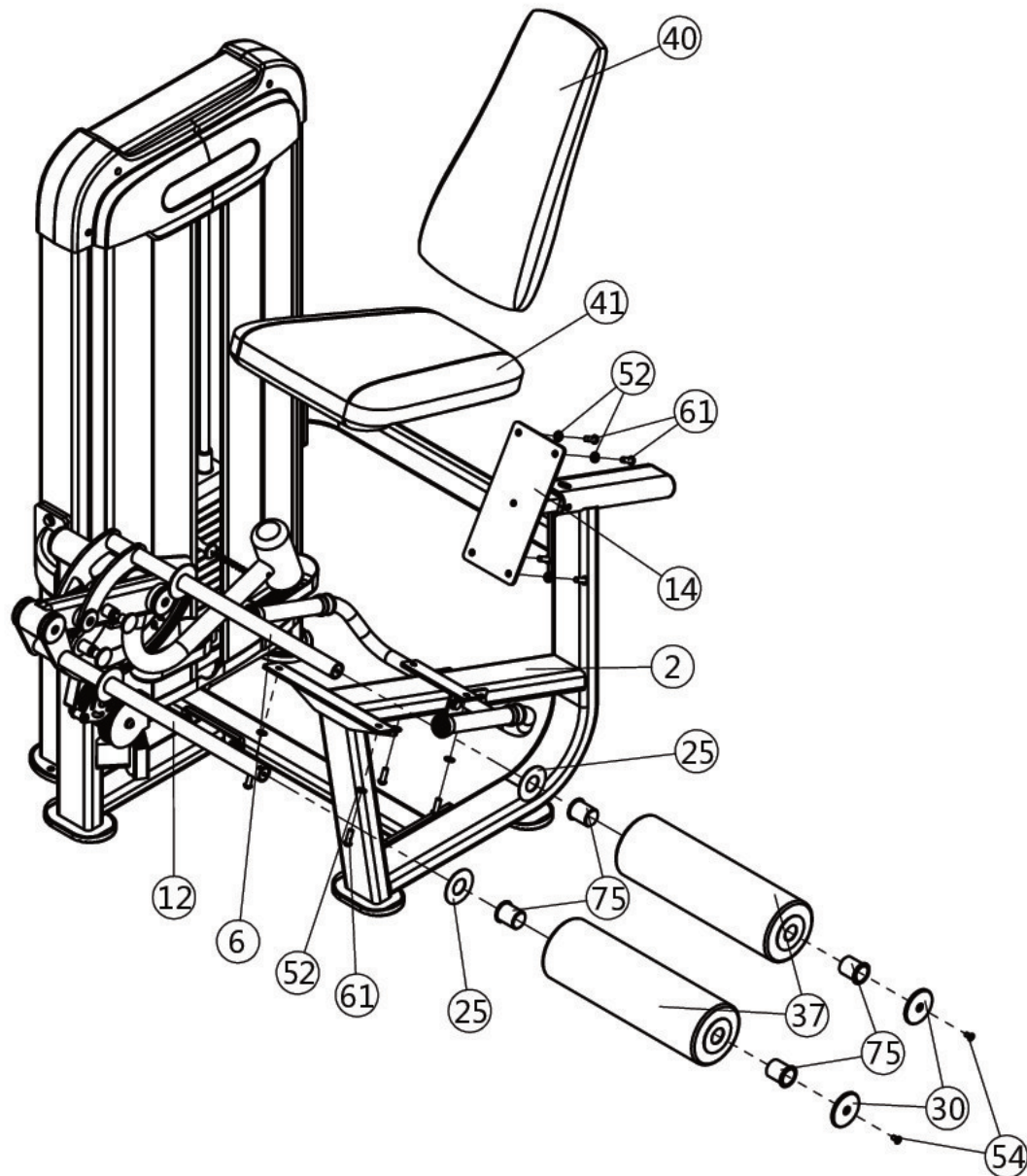
4 × Button Head Cap Screw M10X30 (#61) 4 × Flat Washer Φ 11X Φ 20X2 (#52)

2. Attach Seat Pad (#41) to Main Frame Assembly (#2) using:

4 × Button Head Cap Screw M10X30 (#61) 4 × Flat Washer Φ 11X Φ 20X2 (#52)

3. Attach 2 × Long Foam (#37), 4 × Liner Bushing ϕ 36 (#75), 2 × Outer End Cap ϕ 80 (#30), 2 × Stainless Plate (#25) to Curl Foam Frame Assembly (#6) and Extension Foam Frame Assembly (#12) using:

2 × Flat head Cap Screw M8×16 (#54)



Maintenance Schedule

ROUTINE	COMMERCIAL MAINTENANCE	HOME MAINTENANCE	LATEST DATE ENTRY						
Inspect: Links, Pull Pins, Snap Locks, Swivels, Weight Stack Pins	DAILY	WEEKLY							
Clean: Upholstery	DAILY	WEEKLY							
Inspect: Cables or Belts and their tension	DAILY	WEEKLY							
Inspect: Accessory Bars, and Handles	WEEKLY	3 MONTHS							
Inspect: All Decals	WEEKLY	3 MONTHS							
Inspect: All Nuts and Bolts, Tighten if needed	WEEKLY	3 MONTHS							
Inspect: Anti-skid Surface	WEEKLY	3 MONTHS							
Clean&Lubricate: Guide rods with a Teflon(PTFE) based lubricant(Superlube)	MONTHS	3 MONTHS							
Lubricate: Seat Sleeves, Turcite Bushings, Linear Bearing	MONTHS	3 MONTHS							
Clean and Wax: All Glossy Finishes	6 MONTHS	YEARLY							
Repack with Grease: Linear Bearings	6 MONTHS	YEARLY							
Replace: Cables, Belts and Connecting Parts	YEARLY	3 YEARS							

General Maintenance Information

Links, Pull-Pins, Snap Hooks, Swivels, Weight Stack Pins:

- Check all pieces for signs of visible wear or damage.
- Check springs in snap hooks and pull-pins for proper tension and alignment.
- If the spring sticks or has lost its rigidity, replace it immediately.

Upholstery:

- To ensure prolonged upholstery life and proper hygiene, all upholstered pads should be wiped down with a damp cloth after every workout.
- Periodically take the time to use a mild soap or approved vinyl upholstery cleaner to deter the onset of cracking or drying.
- Avoid using any abrasive cleaners or cleaners not intended for use on vinyl.
- Replace ripped or worn upholstery immediately. Keep sharp or pointed objects clear of all upholstery.

Decals:

- Inspect and familiarize yourself with any safety warnings or other user information posted on each decal.

Nuts and Bolts:

- Inspect all nuts and bolts for any loosening and tighten if needed.
- Go through a re-tightening sequence periodically to ensure that all hardware is tensioned proper.

Anti-Skid Surfaces:

- These surfaces are designed to supply secure footing and need to be replaced if they appear worn or become slippery.

Belts and Cables:

- We use only high quality belt, and mil-spec cables.
- Visually inspect the belts and cables for fraying, cracking, peeling or discoloration.
- While the machine is not in use, carefully run your fingers along the belt or cable to feel for thinning or bulging areas.
- Replace belts and cables immediately at the first signs of damage or wear. Do not use equipment until belts or cables have been replaced.

Weight Training Tips

Belt and Cable Tensions:

- Referring to the Owner's Manual, when belts or cables are used check all bolts attachment to be sure they are properly attached.
- Check slack in cables and re-adjust cable tension if needed.

Seat Sleeves, Guide Rods:

- Wipe down adjusting tubes with a dust free rag before applying lubricant.
- Lubricate seat sleeves and Guide Rods with silicon or Teflon based lubricant spray.

Linear Bearings:

- Referring to the owner's manual carefully disassembly the bearing from its housing and place a finger full of light grease (lithium, super lube, etc) into the inside of the bearing. Use your finger, press the grease into the ball-bearings and their tracks. Repeat until the ball-bearing tracks are full of grease. Insert the shaft back into the bearing and wipe off excess grease.

Use this manual to guide you through the basic exercises you can perform on your equipment. To gain maximum results and avoid possible injury, consult a fitness professional to develop your complete exercise program.

Always consult your physician before starting any exercise program.

To be successful in your exercise program, it is important to develop an understanding of the basic principles of strength training. Now that you have your equipment, it is only natural that you want to get started immediately. First, determine a set of realistic goals and objectives for yourself. By deciding on an exercise plan that is right for you prior to starting, you will contribute significantly to your success.

Warm up properly before engaging in weight resistance training. Stretching, yoga, jogging, calisthenics or other cardiovascular exercise can help prepare your body for the heavier workload of lifting weights.

Learn how to perform the exercise correctly before using heavy weight. Correct form is important to avoid injury and to ensure that you work the proper muscle groups.

Know your limitations. If you are new to weight training or are embarking on an exercise regimen after a long layoff, start slowly and build foundational strength over a longer period of time.

Pay attention to your breathing. Exhale when you exert is a general rule of thumb. Never hold your breath.

Specifications

Class: S
Maximum Load of Trainer: 150Kgs/330Lbs