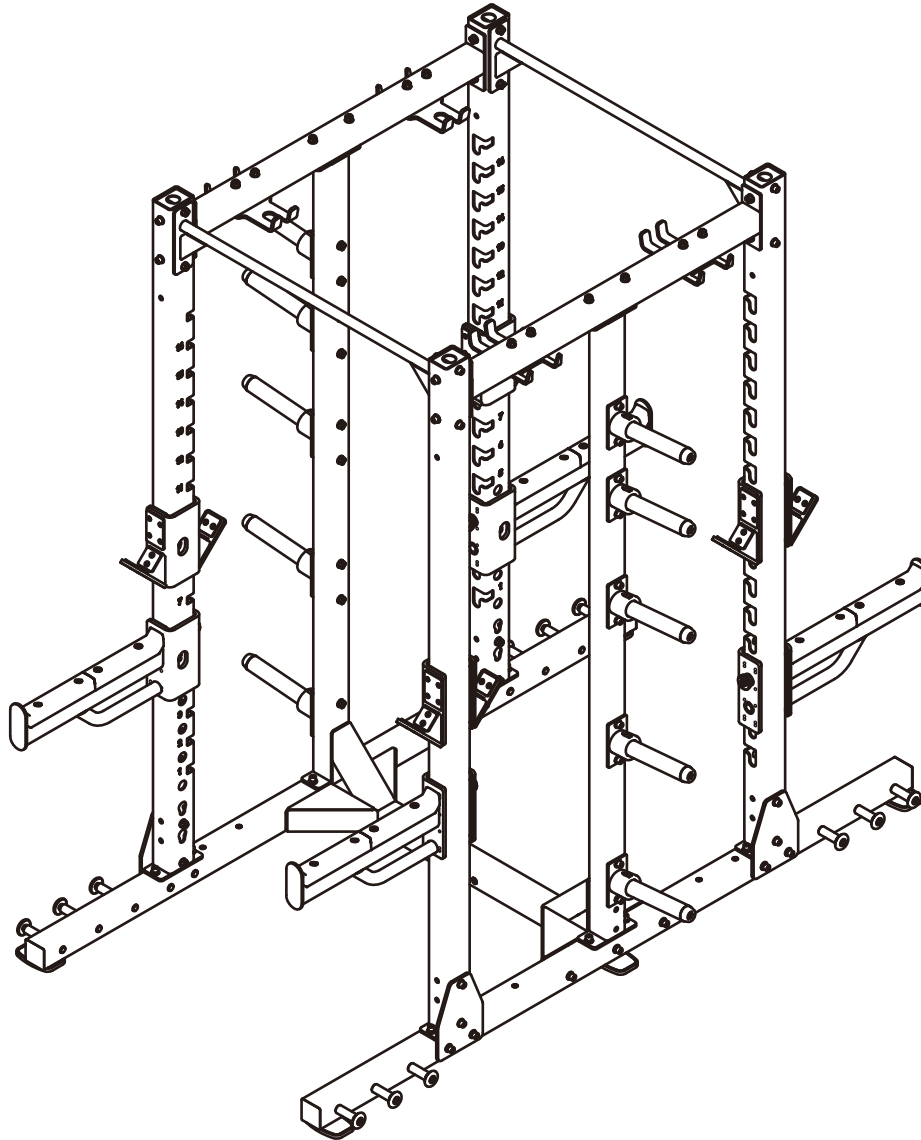


Инструкция

Силовая рама двойная, двусторонняя Impulse HSPR03

Полезные ссылки:

[Силовая рама двойная, двусторонняя Impulse HSPR03 - смотреть на сайте](#)



HSPR03

Combo Rack

OWNER'S MANUAL

20V

CAUTION! Read all precautions and instructions in this manual before using this equipment.

Table Of Contents

CAUTION!

Read all precautions and instructions in this manual before using this equipment.

Important Safety Instructions-----	3
Instructions-----	5
Exploded View and Parts List-----	6
Measurement Guide-----	11
Assembly Instructions-----	12
Assembly-----	13
Adjust Instructions and Exercise Instructions-----	18
Maintenance Schedule-----	19
General Maintenance Information-----	20
Weight Training Tips-----	21

Important Safety Instructions

Before beginning any fitness program, you should obtain a complete physical examination from your physician. When using exercise equipment, basic precautions should always be taken, including the following:

1. Read all instructions before using the equipment.
These instructions are written to ensure your safety and to protect the unit.
2. Use the equipment only for its intended purpose as described in this guide.
Do not use accessory attachments that are not recommended by the manufacturer: such attachments might cause injuries.
3. The product should only be used on a level surface and is with 0.6 meters space around the product.
Do not use the equipment outdoors.
4. Do not allow children on or near the equipment. And children are not allowed to use this equipment.
Teenagers should use this equipment with adult supervision.
5. Do not overexert yourself or work to exhaustion.
Do not attempt to lift more weight than you can control safely.
If you feel any pain or abnormal symptoms, stop your workout immediately and consult your physician.
6. This equipment is not used as medical apparatus and instruments.
7. Never operate the unit when it has been dropped or damaged.
Never drop or insert anything into any opening in the equipment.
Always check the unit and its cables before each use. Make sure that all fasteners and cables are secure and in good working condition.
Frayed or worn cables can be dangerous and may cause injury. Periodically check these cables for any indication of wear.
Keep hands, limbs, loose clothing and long hair well out of the way of moving parts.
8. Be careful when getting on or off the equipment.
9. Wear proper exercise clothing and shoes for your workout, no loose clothing.

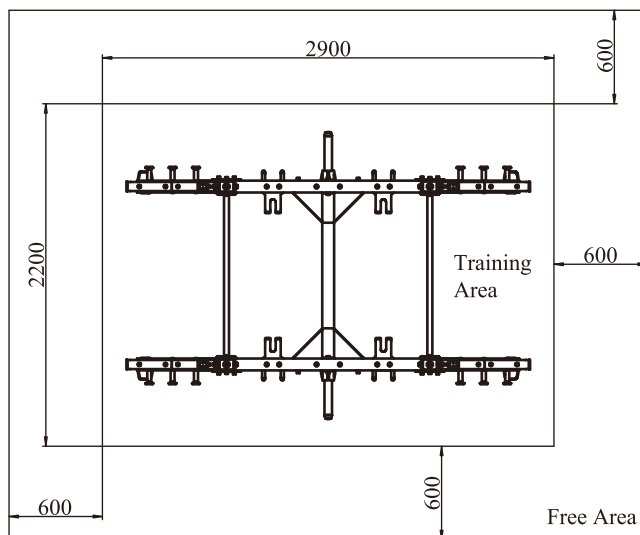
Important Safety Instructions

Personal Safety During Assembly

Read each step in the assembly instructions and follow the steps in sequence. Do not skip ahead. If you skip ahead, you may learn later that you have to disassemble components and that you may have damaged the equipment.

Assemble and operate the equipment on a solid, level surface. Locate the unit a few feet from walls or furniture to provide easy access. The equipment is designed for your enjoyment. By following these precautions and using common sense, you will have many safe and pleasurable hours of healthful exercise with the equipment.

Training Area and Free Area



Specifications

Class: S

Maximum Wt. Capacity: 2*150kg/ 330lbs

Maximum User Weight: 150kg/ 330lbs

Product Dimension: 1842*2582*2476mm

Product Total Surface: 2200*2900mm

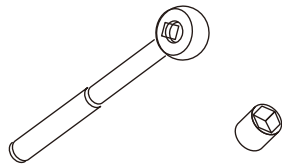
Product Total Mass:

Instructions

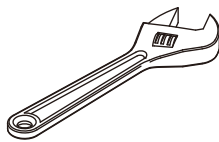
Before beginning assembly please take the time to read instructions thoroughly. Please use the various lists in this manual to make sure that all parts have been included in your shipment. When ordering, use part number and description from the lists. Use only our replacement part when servicing. Failure to do so will void your warranty and could result in personal injury.

The equipment is designed to provide the smoothest, most effective exercise motion possible. After assembly, you should check all functions to ensure correct operation. If you experience problems, first recheck the assembly instructions to locate any possible errors made during assembly. If you are unable to correct the problem, call your authorized dealer. Be sure to have your serial number and this manual when calling. When all parts have been accounted for, continue on.

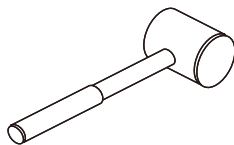
Tools Required



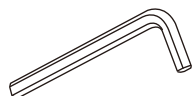
Ratchet Wrench and Socket



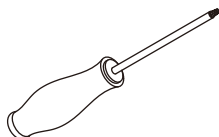
Adjustable Wrench



Rubber Mallet



Hex Key Wrench Set



Phillips Screwdriver

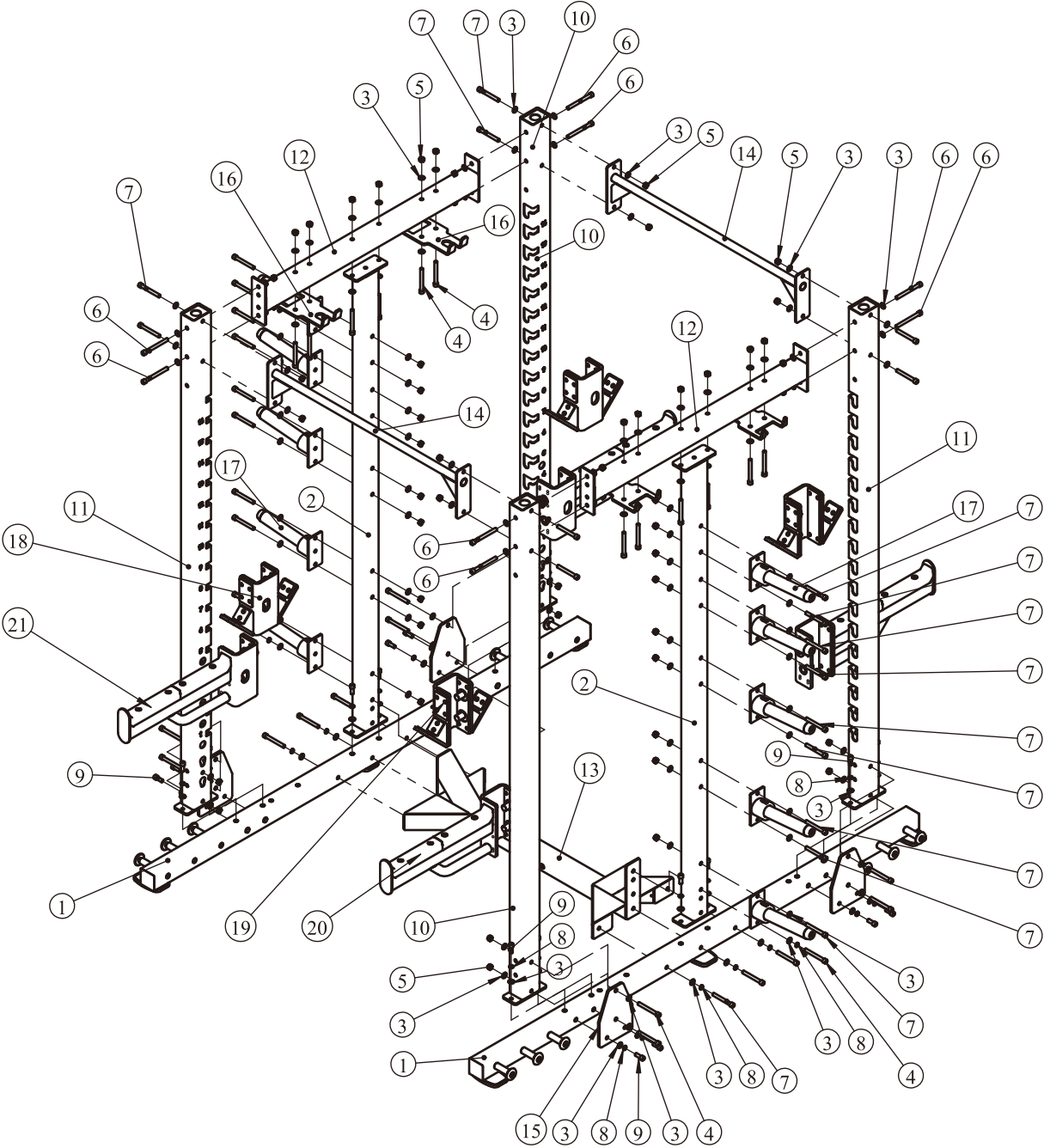
Exploded View and Parts List

Overall

ItemNo.	Grade No.	Part No.	Description	QTY
1	1	HSPR0301ASSY	Base Frame ASSY	2
2	2	HSPR030200	Weight Upright Frame2	2
3	3	GB9512DHS2	Flat Washer $\Phi 13*\Phi 24*2.5$	144
4	4	GB70M12*105DHS20	Socket Head Cap Screw M12*105	24
5	5	NM12DHS2	Nylon Lock Nut M12	56
6	6	GB70M12*130DHS20	Socket Head Cap Screw M12*130	8
7	7	GB70M12*100DHS20	Socket Head Cap Screw M12*100	34
8	8	GB9312DHS12	Spring Washer $\Phi 12$	30
9	9	GB70M12*30DHS20	Socket Head Cap Screw M12*30	20
10	10	HSPR010500	Right Upright Frame	2
11	11	HSPR010600	Left Upright Frame	2
12	12	HSPR030300	Top connection Frame	2
13	13	HSPR030400	Back Base Frame	1
14	14	HSPR010700	Straight tube pull-out handle	2
15	15	HSPR012100	Fixing Plate	4
16	16	HSPR012200	Barbell bar hook	4
17	17	PL40014ASSY	Long Weight Plate Storage ASSY	10
18	18	HSPR0103ASSY	Left Safety Hook Frame ASSY	2
19	19	HSPR0104ASSY	Right Safety Hook Frame ASSY	2
20	20	HSPR0108ASSY	Right Safety Frame ASSY	2
21	21	HSPR0109ASSY	Left Safety Frame ASSY	2
22	31	NBS10DHS	Hex Key S=10	1
23	32	LW200BS	Wrench $\Phi 6*117$	1

Exploded View and Parts List

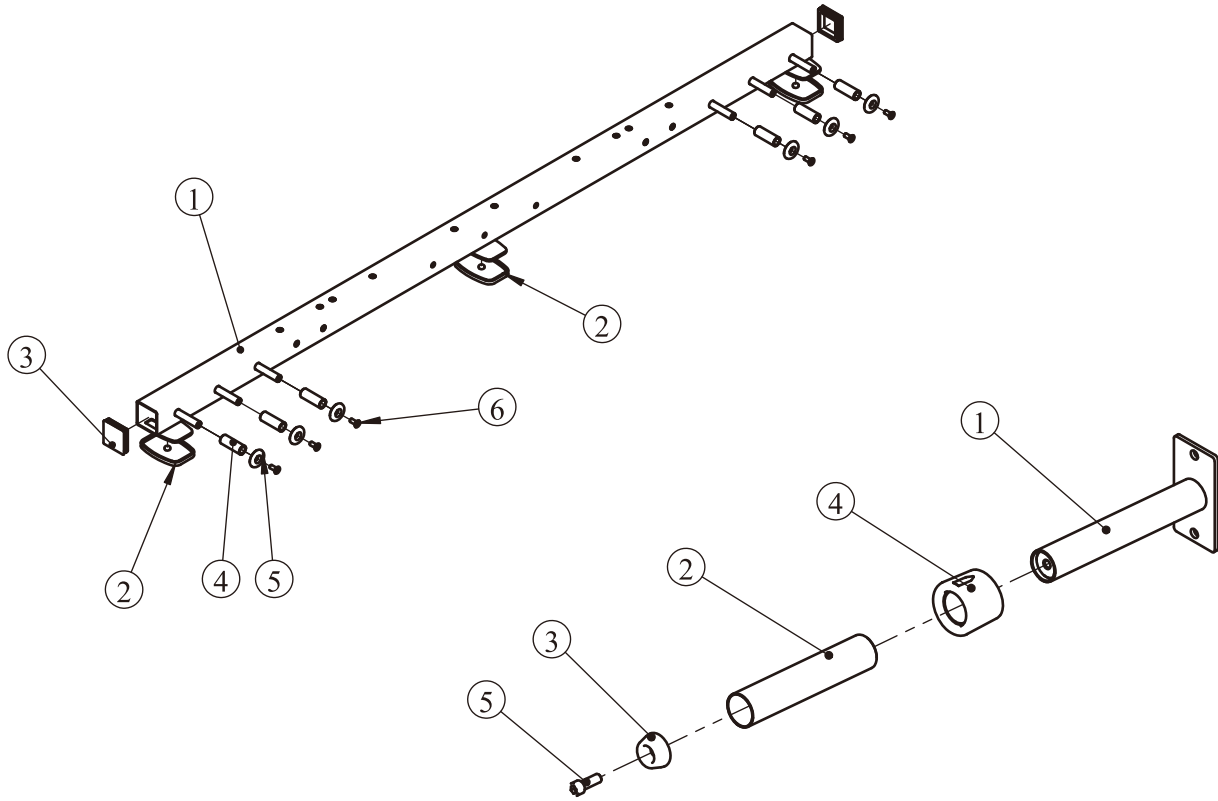
Overall



Exploded View and Parts List

Base Frame ASSY

Long Weight Plate Storage ASSY

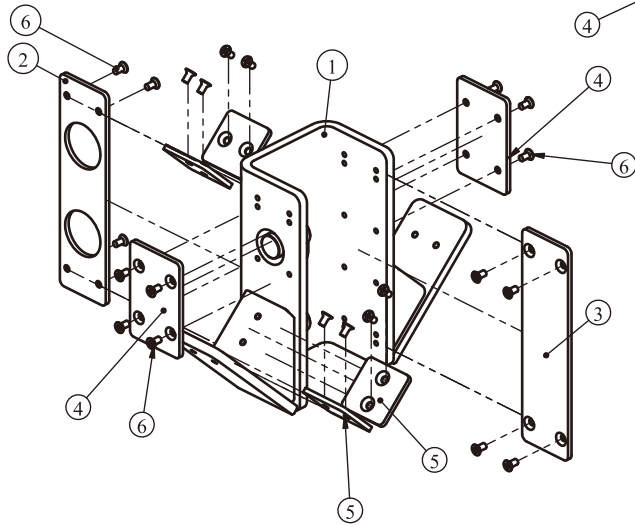


ItemNo.	Grade No.	Part No.	Description	QTY
1	1.1	HSPR030100	Base Frame First	1
2	1.2	IF81162000	Foot Plate	3
3	1.3	PBF30013	Plug □75	2
4	1.4	HSPR013100	Nylon roller	6
5	1.5	IN-S51102100	Aluminum Cap	6
6	1.6	CNLM10*25DS20	Flat Head Cap Screw 10*25	6

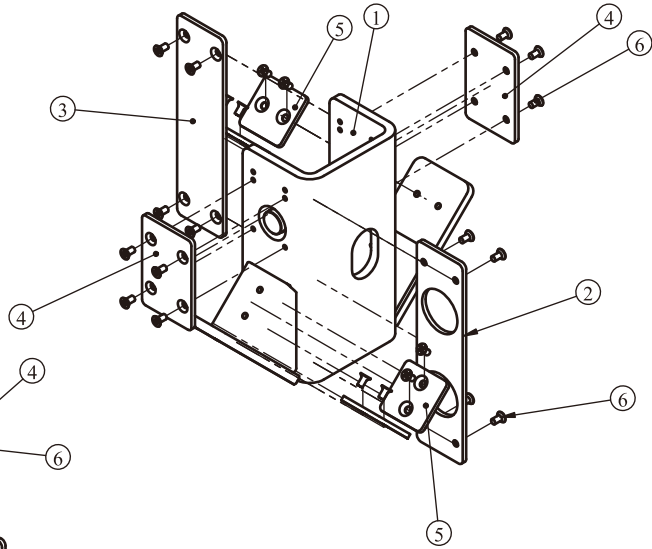
ItemNo.	Grade No.	Part No.	Description	QTY
1	17.1	SL70340900	WT Bar	1
2	17.2	HF985A1500	Weight Horn Rubber DonutΦ76	1
3	17.3	SL70100400	Weight Horn Sleeve	1
4	17.4	RF-6012500	End Plug	1

Exploded View and Parts List

Left Safety Hook Frame ASSY



Right Safety Hook Frame ASSY



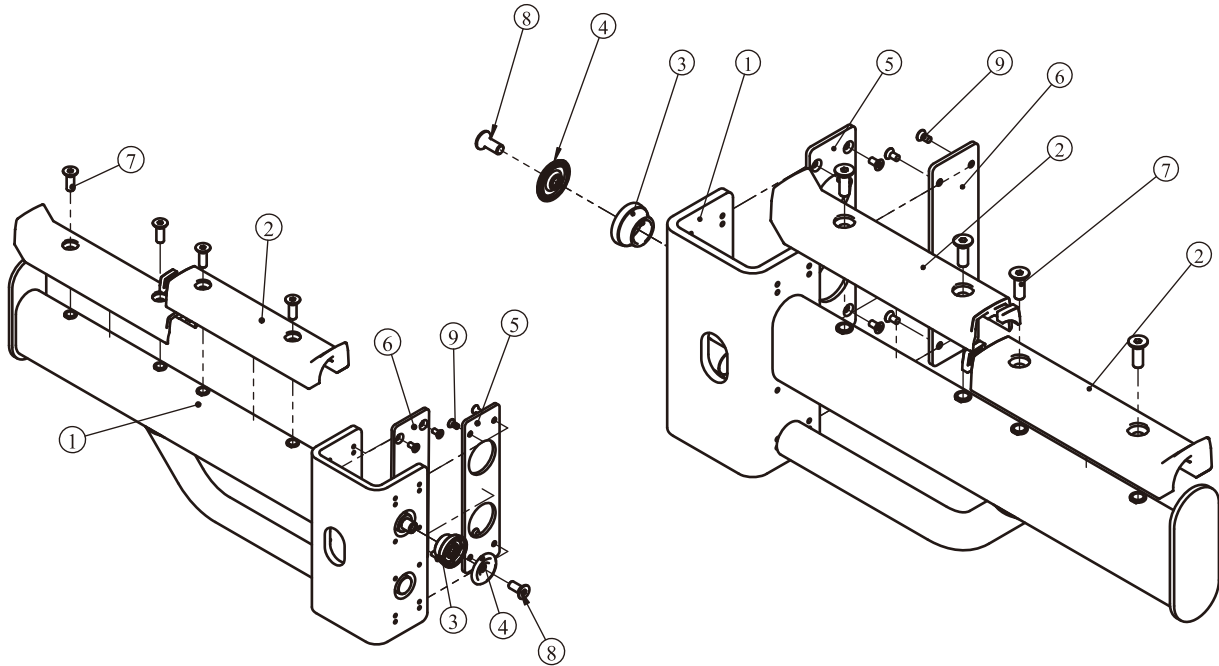
ItemNo.	Grade No.	Part No.	Description	QTY
1	18.1	HSPR010300	Left Safety Hook Frame	1
2	18.2	CHFPR1900	Plastic Plate 1	1
3	18.3	SE50011200	Plastic Plate 2	1
4	18.4	HSPR013200	Plastic Plate	2
5	18.5	DBR06102500	Plastic Plate2	4
6	18.6	GB819M6*12DHS2	Flat Head Cap Screw M6*12	24

ItemNo.	Grade No.	Part No.	Description	QTY
1	19.1	HSPR010400	Right Safety Hook Frame	1
2	19.2	CHFPR1900	Plastic Plate 1	1
3	19.3	SE50011200	Plastic Plate 2	1
4	19.4	HSPR013200	Plastic Plate	2
5	19.5	DBR06102500	Plastic Plate2	4
6	19.6	GB819M6*12DHS2	Flat Head Cap Screw M6*12	24

Exploded View and Parts List

Left Safety Frame ASSY

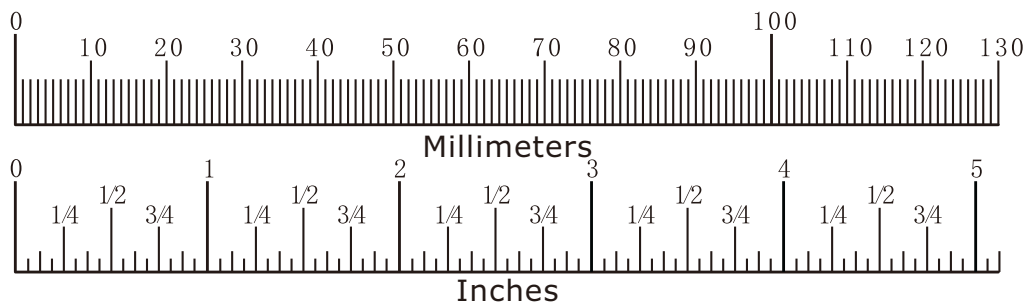
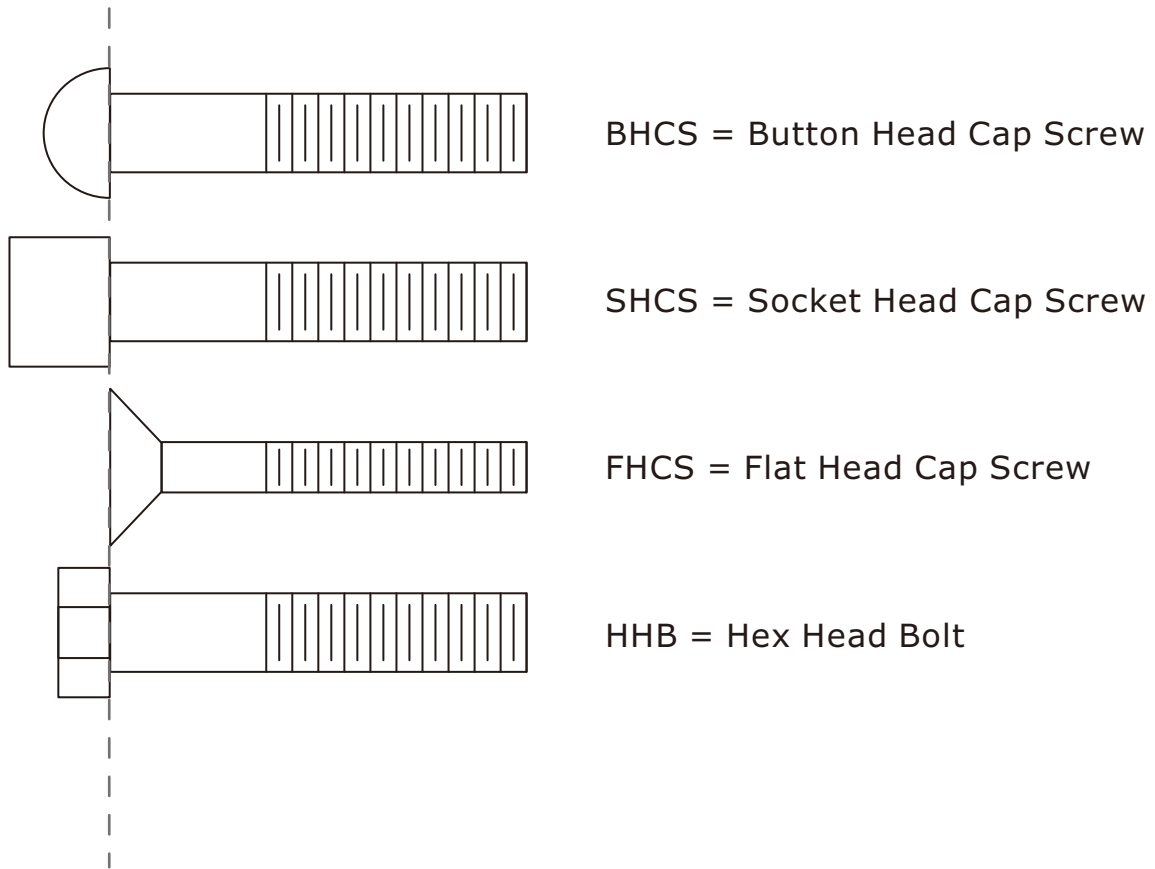
Right Safety Frame ASSY



ItemNo.	Grade No.	Part No.	Description	QTY
1	21.1	HSPR010900ASSY	Left Safety Frame First ASSY	1
2	21.2	PL3502900	Short Safty Bumper	2
3	21.3	IF81162400P129C	Plastic Knob-Base	1
4	21.4	IF81162300P129C	Plastic Knob-Cap	1
5	21.5	CHFPR1900	Plastic Plate 1	1
6	21.6	SE50011200	Plastic Plate 2	1
7	21.7	CNLM10*30*30DS20	Flat Head Cap Screw M10*30*30	4
8	21.8	CNLM10*25DS20	Flat Head Cap Screw M10*25	1
9	21.9	GB819M6*12DHS2	Flat Head Cap Screw M6*12	8

ItemNo.	Grade No.	Part No.	Description	QTY
1	20.1	HSPR010800ASSY	Right Safety Frame First ASSY	1
2	20.2	PL3502900	Short Safty Bumper	2
3	20.3	IF81162400P129C	Plastic Knob-Base	1
4	20.4	IF81162300P129C	Plastic Knob-Cap	1
5	20.5	CHFPR1900	Plastic Plate 1	1
6	20.6	SE50011200	Plastic Plate 2	1
7	20.7	CNLM10*30*30DS20	Flat Head Cap Screw M10*30*30	4
8	20.8	CNLM10*25DS20	Flat Head Cap Screw M10*25	1
9	20.9	GB819M6*12DHS2	Flat Head Cap Screw M6*12	8

Measurement Guide



Diameter of bolt (mm/inch)	M6(1/4")	M8(5/16")	M10(3/8")	M12(1/2")	M16(5/8")
Tightening torque (N.m)	9~12	22~30	45~59	78~104	193~257
Operational methods for adult men	The strength of the wrist	The strength of the wrist and forearm	The strength of the entire arm	The strength of the arm and upper body	with all strength

Assembly Instructions

Assembly of the equipment takes professional installers about 2 hours. If this is the first time you have assembled this type of equipment, plan to spend more time. It is strongly recommended to assemble the equipment by professional installers. You may find it quicker, safer, easier to assemble this equipment with the help of a friend, as some of components may be large, heavy or awkward to handle alone. It is important that you assemble your product in a clean, clear, uncluttered area. This will enable you to move around the product while you are fitting components and reduce the possibility of injury during assembly.

NOTE

As with any assembled part, proper alignment and adjustment is critical. While tightening the fasteners, be sure to leave room for adjustments. Do not fully tighten the fasteners until instructed to do so. Be careful to assemble the components in the sequence presented in this guide.

Assembly

STEP 1

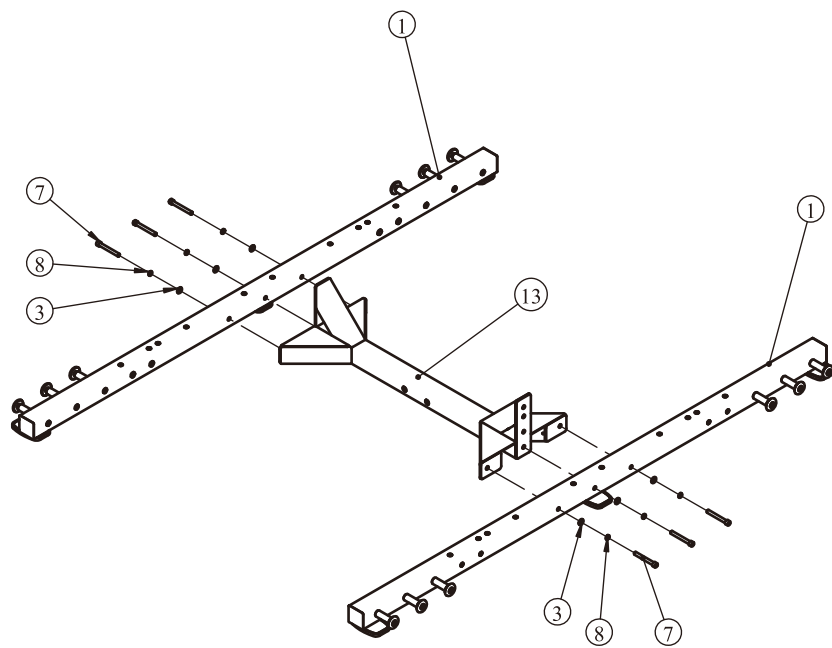
Attach Two Base Frame ASSY (#1) to the Back Base Frame (#13) using:

six M12*100 SHCS (#7)

six $\Phi 13*\Phi 24*2.5$ Flat Washer (#3)

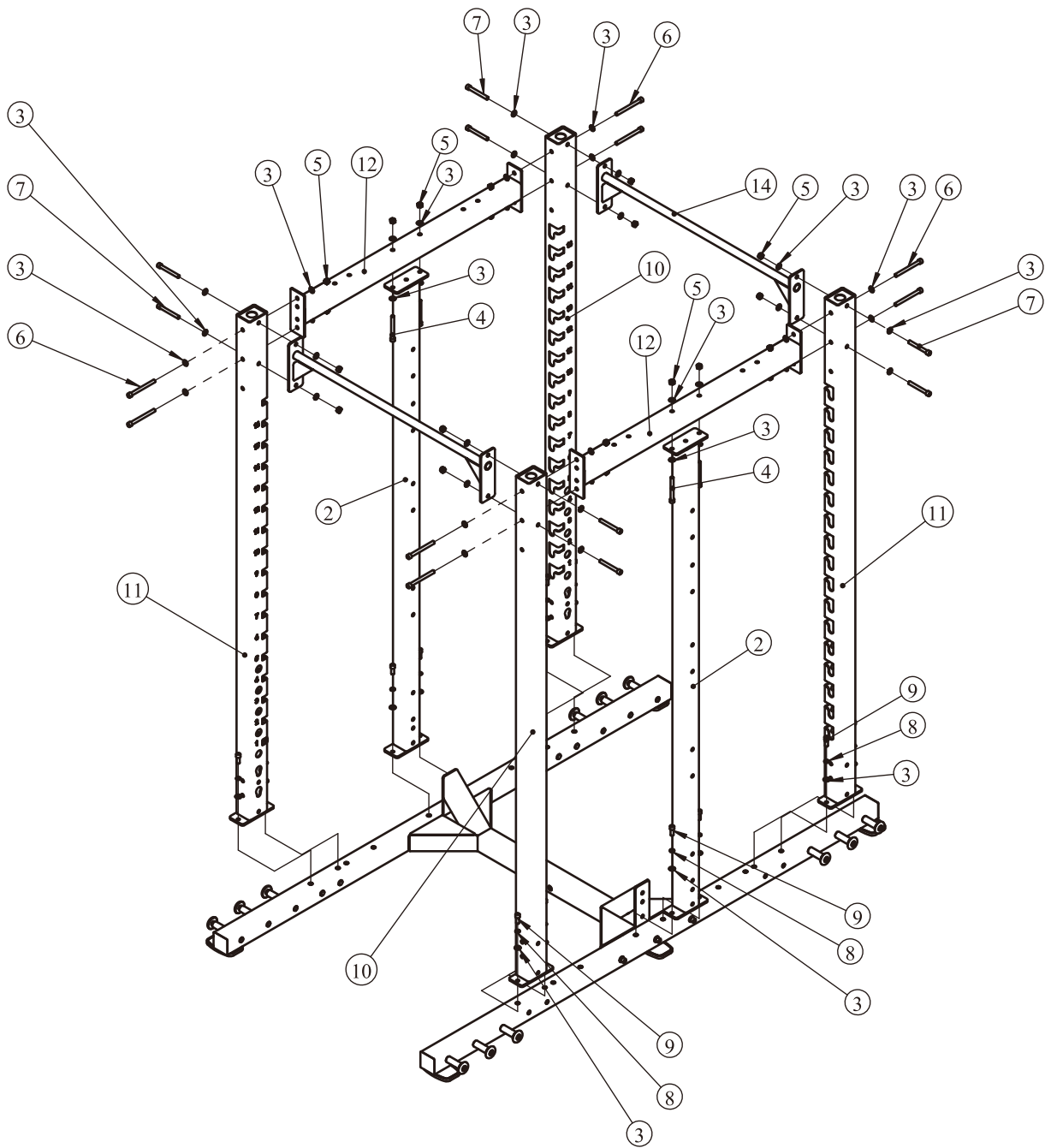
six $\Phi 12$ Spring Washer (#8)

Note: Wrench Tighten Bolts and Nylon Lock Nuts.



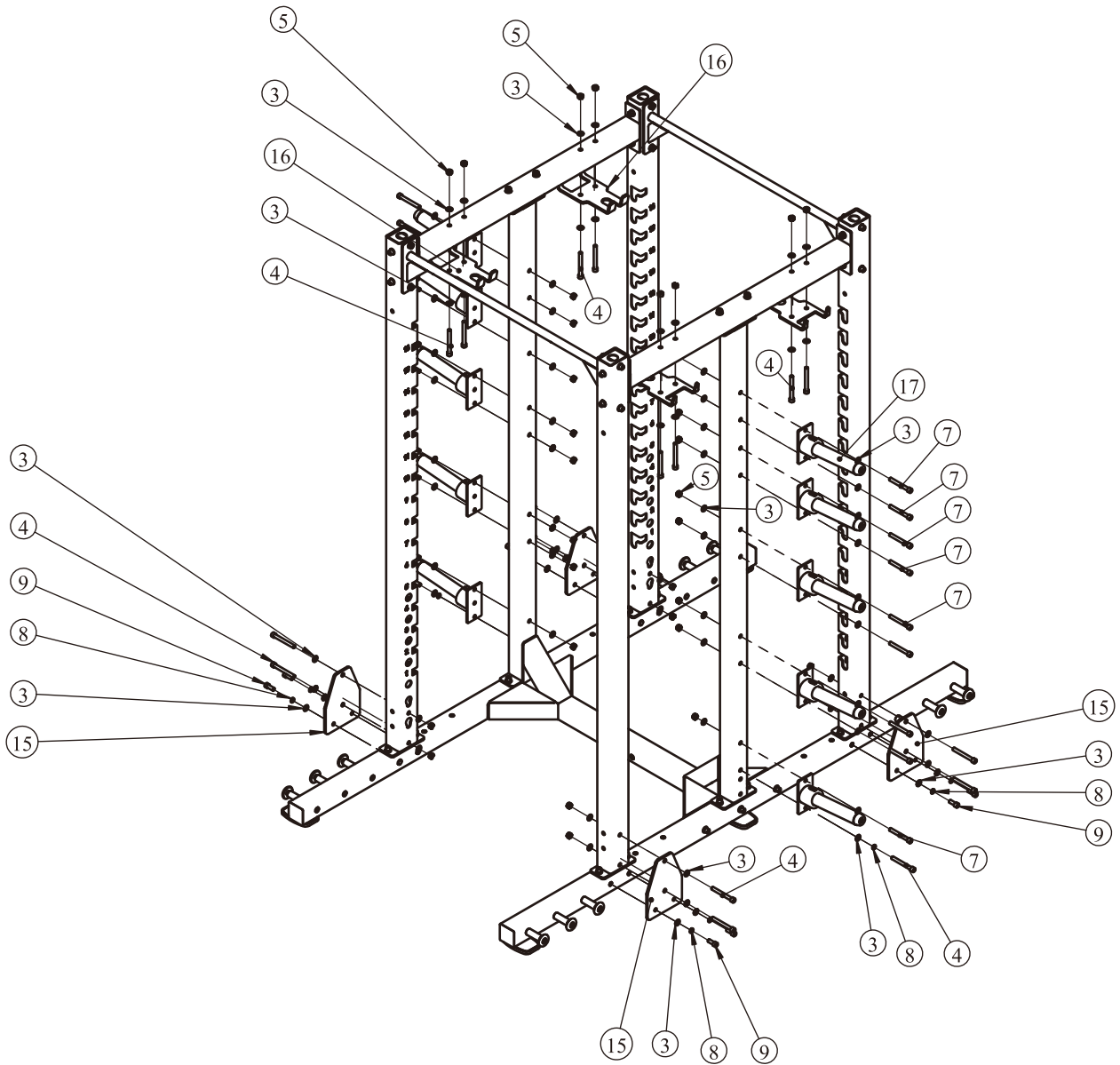
Assembly

STEP 2



Assembly

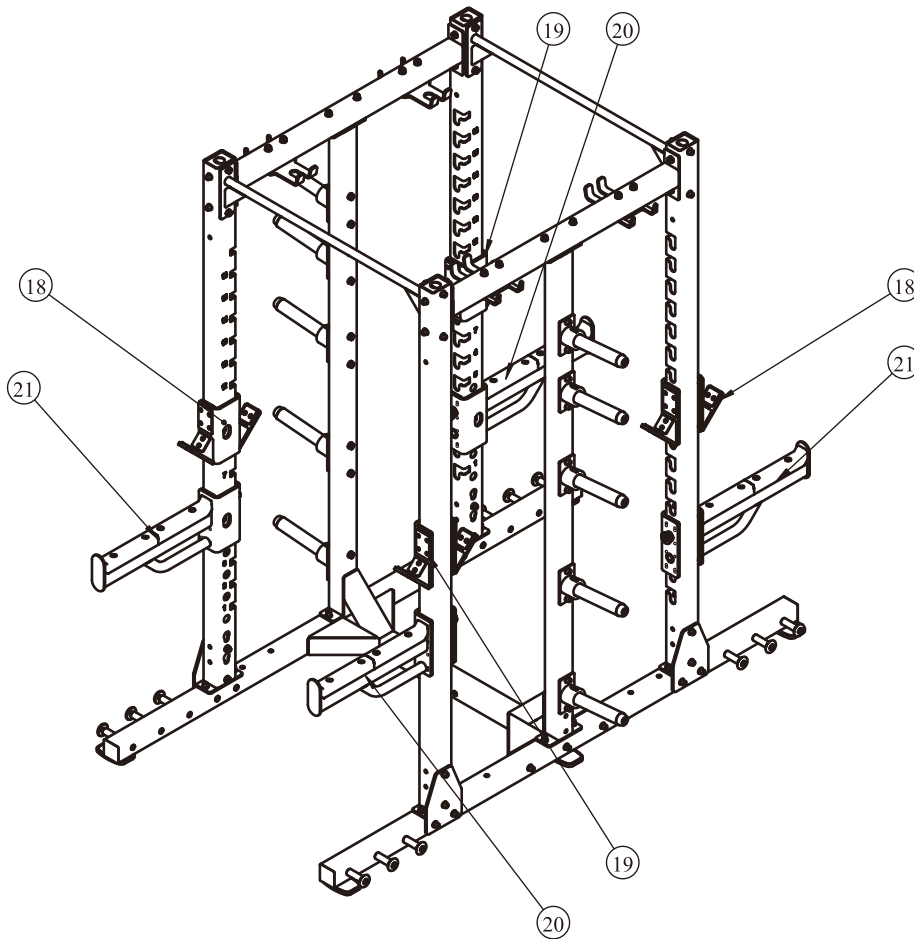
STEP 3



Assembly

STEP 4

1. Attach two Left Safety Hook Frame ASSY (#18) and two Left Safety Frame ASSY (#21) to two Left Upright Frame (#11).
2. Attach two Right Safety Hook Frame ASSY (#19) and two Right Safety Frame ASSY (#20) to two Right Upright Frame (#10).



Adjust Instructions and Exercise Instructions

Weightlifting

1. Adjust Safety Frame ASSY and Safety Hook Frame ASSY to the desired position.
2. Select an appropriate weight then do weightlifting exercise with Barbell.
3. The total weight of one side of Barbell can not be greater than 150kg.
4. This equipment does not contains Barbell and Weight Plate.

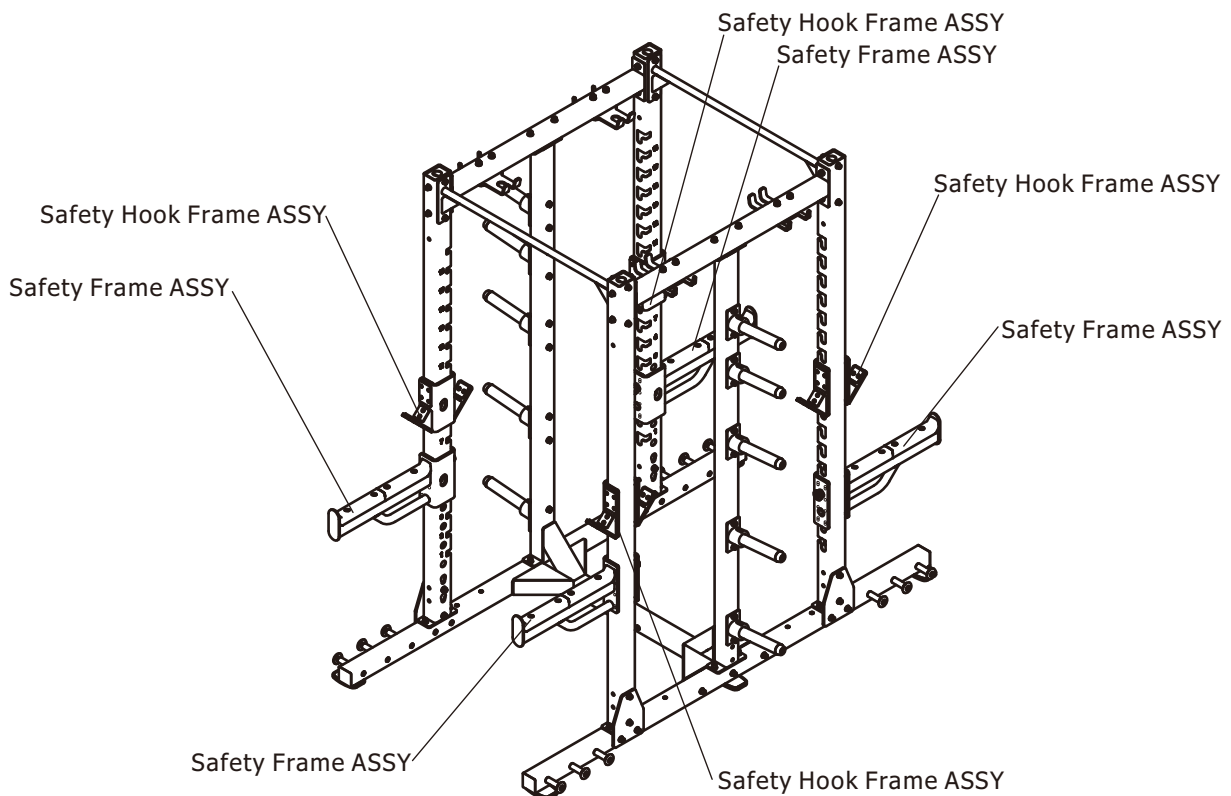
Safety Frame ASSY & Safety Hook Frame ASSY Adjustment

1. Adjust Safety Frame ASSY & Safety Hook Frame ASSY to the desired position.
2. Make sure Safety Frame ASSY are below Safety Hook Frame ASSY.
3. Make sure both Safety Hook Frame ASSY are the same height.
4. Make sure both Safety Frame ASSY are the same height.

Exercise Instructions

Chin-up

Do Chin-up with LatBar



Maintenance Schedule

ROUTINE	COMMERCIAL MAINTENANCE	HOME MAINTENANCE	LATEST DATE ENTRY					
Inspect; Links, Pull Pins, Snap Locks, Swivels, Weight Stack Pins	DAILY	WEEKLY						
Clean; Upholstery	DAILY	WEEKLY						
Inspect; Cables or Belts and their tension	DAILY	WEEKLY						
Inspect; Accessory Bars, and Handles	WEEKLY	3 MONTHS						
Inspect; All Decals	WEEKLY	3 MONTHS						
Inspect; All Nuts and Bolts, Tighten if needed	WEEKLY	3 MONTHS						
Inspect; Anti-Skid Surface	WEEKLY	3 MONTHS						
Clean & Lubricate; Guide Rods with a Teflon (PTFE) based lubricant (Superlube)	MONTHLY	3 MONTHS						
Lubricate; Seat Sleeves, Turcite Bushings, Linear Bearing	MONTHLY	3 MONTHS						
Clean and Wax; All Glossy Finishes	6 MONTHS	YEARLY						
Repack with Grease; Linear Bearings	6 MONTHS	YEARLY						
Replace; Cables, Belts and Connecting Parts	YEARLY	3 YEARS						

Your equipment comes with a commercial maintenance decal. For personal, in home use, please follow the home maintenance schedule listed above.

General Maintenance Information

Links, Pull-Pins, Snap Hooks, Swivels, Weight Stack Pins:

- * Check all pieces for signs of visible wear or damage.
- * Check springs in snap hooks and pull-pins for proper tension and alignment.
- * If the spring sticks or has lost its rigidity, replace it immediately.

Upholstery:

- * To ensure prolonged upholstery life and proper hygiene, all upholstered pads should be wiped down with a damp cloth after every workout.
- * Periodically take the time to use a mild soap or an approved vinyl upholstery cleaner to deter the onset of cracking or drying. Avoid using any abrasive cleaners or cleaners not intended for use on vinyl.
- * Replace ripped or worn upholstery immediately.
- * Keep sharp or pointed objects clear of all upholstery.

Decals:

- * Inspect and familiarize yourself with any safety warnings or other user information posted on each decal.

Nuts and Bolts:

- * Inspect all nuts and bolts for any loosening and tighten if needed.
- * Go through a re-tightening sequence periodically to ensure that all hardware is tensioned proper.

Anti-Skid Surfaces:

- * These surfaces are designed to supply secure footing and need to be replaced if they appear worn or become slippery.

Belts and Cables:

- * We use only high quality belt, and mil-spec cables.
- * Visually inspect the belts and cables for fraying, cracking, peeling or discoloration.
- * While the machine is not in use, carefully run your fingers along the belt or cable to feel for thinning or bulging areas.
- * Replace belts and cables immediately at the first signs of damage or wear. Do not use equipment until belts or cables have been replaced.

Belt and Cable Tension:

- * Referring to the Owners Manual, when belts or cables are used check all bolt attachments to be sure they are properly attached.
- * Check slack in cables and re-adjust cable tension if needed.

Seat Sleeves, Guide Rods:

- * Wipe down adjusting tubes with a dust free rag before applying lubricant.
- * Lubricate seat sleeves and Guide Rods with a Silicon or Teflon based lubricant spray.

Linear Bearings:

- * Referring to the Owners Manual carefully disassemble the bearing from its housing and place a finger full of light grease (lithium, super lube, etc.) into the inside of the bearing. Using your finger, press the grease into the ball-bearings and their tracks. Repeat until the ball-bearing tracks are full of grease. Insert the shaft back into the bearing and wipe off excess grease.

PLEASE KEEP THIS FOR YOUR RECORDS

Weight Training Tips

Use this manual to guide you through the basic exercises you can perform on your equipment. To gain maximum results and avoid possible injury, consult a fitness professional to develop your complete exercise program.

Always consult your physician before starting any exercise program.

To be successful in your exercise program, it is important to develop an understanding of the basic principles of strength training. Now that you have your equipment, it is only natural that you want to get started immediately. First, determine a set of realistic goals and objectives for yourself. By deciding on an exercise plan that is right for you prior to starting, you will contribute significantly to your success.

Warm up properly before engaging in weight resistance training. Stretching, yoga, jogging, calisthenics or other cardiovascular exercise can help prepare your body for the heavier workload of lifting weights.

Learn how to perform the exercise correctly before using heavy weight. Correct form is important to avoid injury and to ensure that you work the proper muscle groups.

Know your limitations. If you are new to weight training or are embarking on an exercise regimen after a long layoff, start slowly and build foundational strength over a longer period of time.

Pay attention to your breathing. Exhale when you exert is a general rule of thumb. Never hold your breath.

