

Инструкция

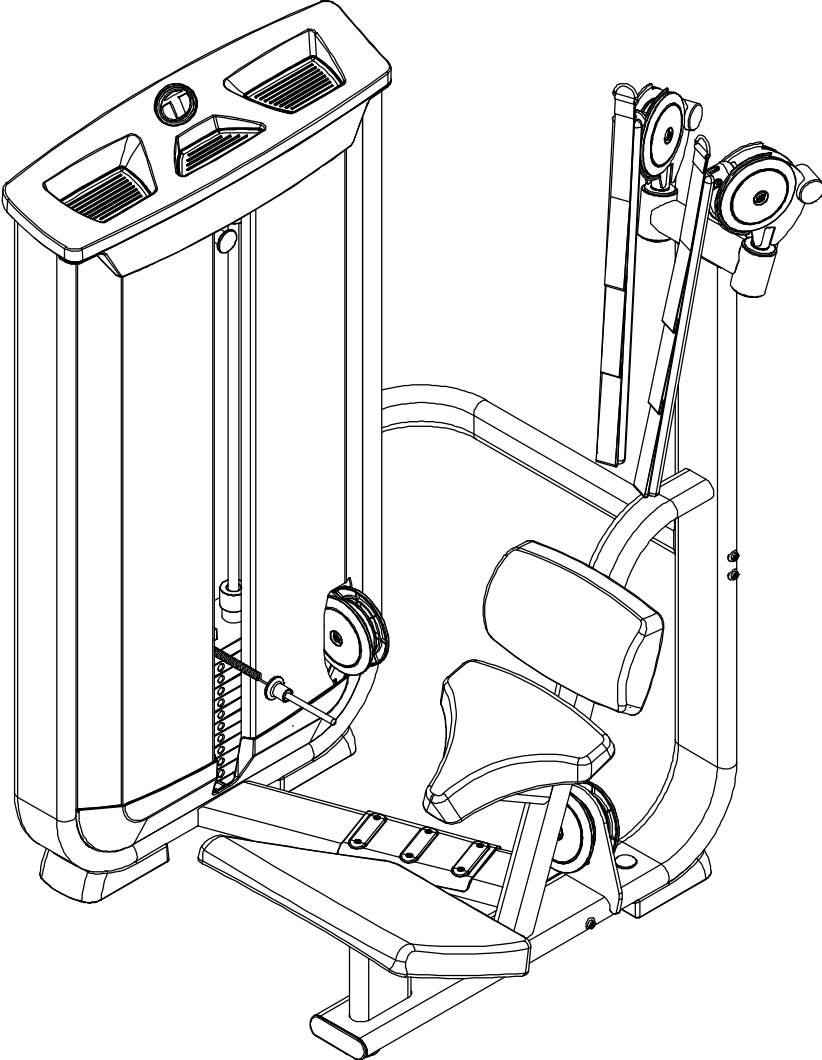
Скручивания Inotec NL9

Полезные ссылки:

[Скручивания Inotec NL9 - смотреть на сайте](#)

[Скручивания Inotec NL9 - читать отзывы](#)

ABDOMINAL

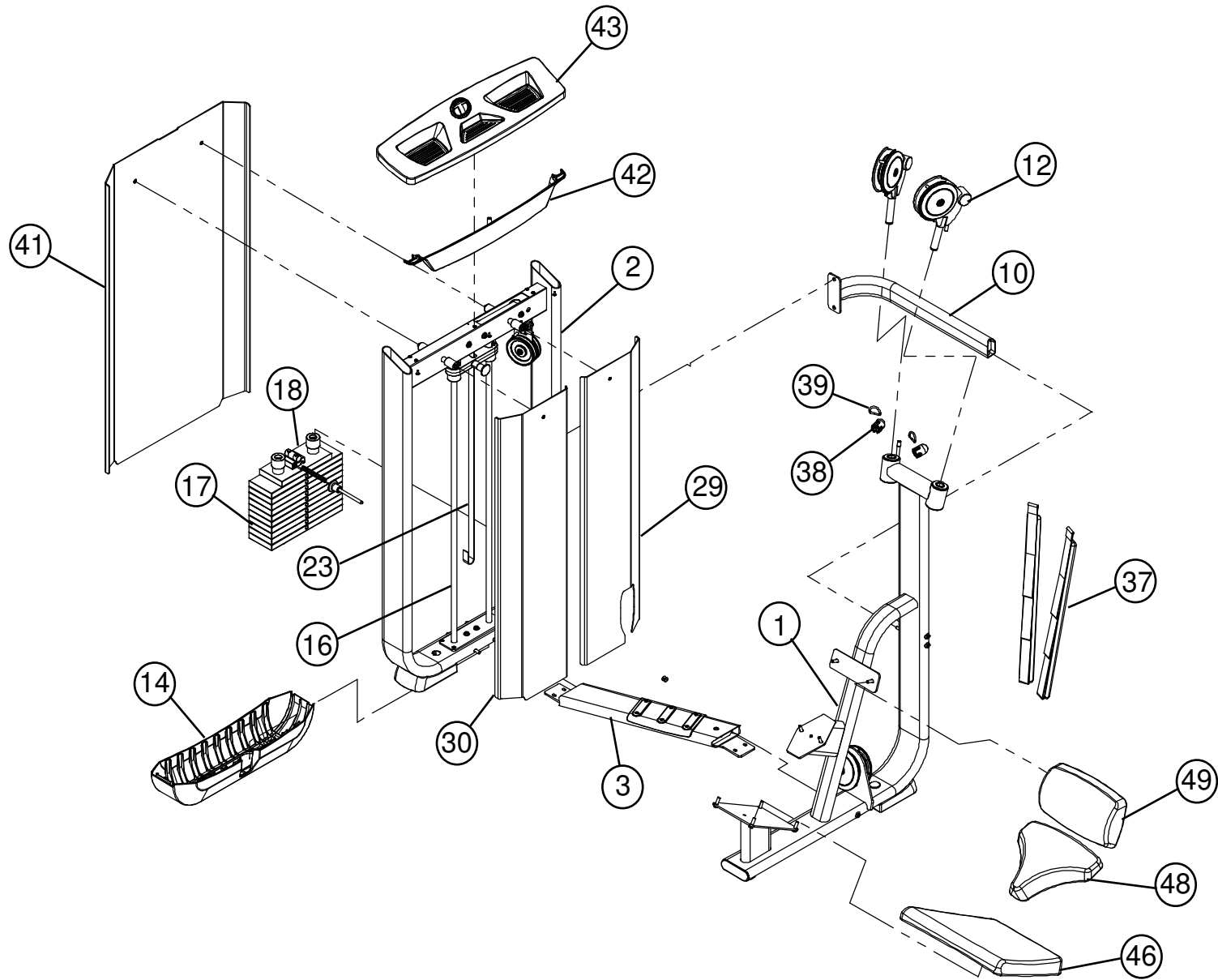


PARTS LIST

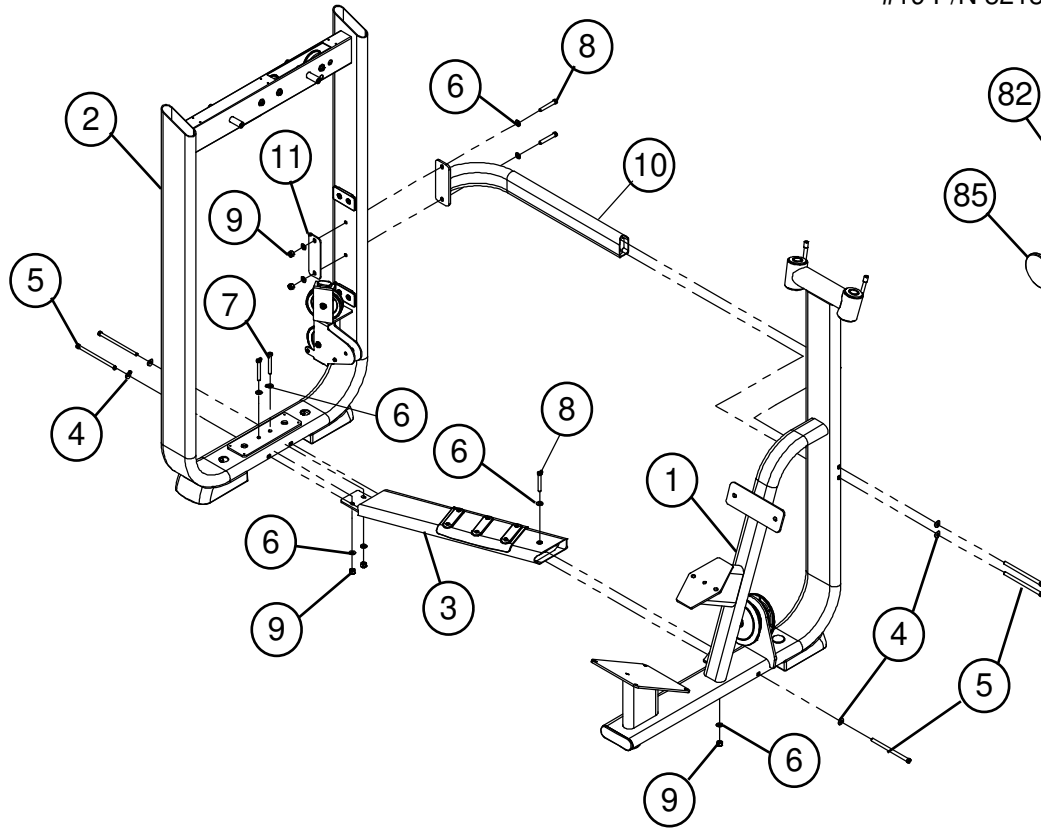
ITEM	QTY	PART NO	Paraong P/N	DESCRIPTION	Chinese Description
1	1	52678PA-B	P20-3047	PTD ASSY, AB MAIN FRAME	固定立管組
2	1	52810PA-A	P20-3046	ASSY, AB TOWER	主架固定管組
3	1	52337PA-A	P20-3015	PTD ASSY, SR-AB BASE CONNECTOR	連接管組
4	5	2003001		WASHER, 3/8" SAE CURVED	弧形華司
5	5	2006424		BOLT, 3/8-16 X 6-1/4" (159mm) SOCKET HEAD W/NP	六角承窩螺絲 3/8"x 6-1/4"L 點耐落
6	28	2001101		WASHER, FLAT 3/8 SAE ST ZN	平面華司20X10.5X1.0T
7	4	2005410		BOLT, 3/8-16 X 2-3/4" (70mm) SOCKET HEAD	六角承窩螺絲 3/8"x 2-3/4"L
8	3	2005409		BOLT, 3/8-16 X 2-1/2" (64mm) SOCKET HEAD	六角承窩螺絲 3/8"x 2-1/2"L
9	9	2001201		NUT, 3/8-16 LK ST ZN	尼龍螺帽3/8"-16x11T
10	1	5233901-A	P04-2856	WLDMT, SR-AB UPPER CONNECTOR	連接管組
11	1	5221401-A	P02-4251	PLATE, 50 X 155 X 4MM	固定片
12	2	52687PA-A	P20-3048	PTD ASSY, SWIVEL PULLEY	輪座片組
13	2	2003401		RETAINING RING, 25MM EXTERNAL	C型扣 STW-25
14	1	5212601-C	P06-2151	COVER, TOWER BASE	塑膠底座
15	12	2004802		SCREW, 10-32 X 1/2" (12MM) PAN HEAD W/NP	大扁頭十字螺絲#10-32x1/2"L 點耐落
16	2	5209701-A	P01-3735	GUIDE ROD, 19 DIA X 1315	升降桿
17	10	52101PA-B	P10-0778	PTD ASSY, 15 LB WEIGHT PLATE	選擇片
18	1	5250101-C	P20-2999	ASSY, 10 PLATE HEAD PLATE	上片組
19	1	5218201-D	P20-2988	ASSY, 7.5LB INC. WEIGHT	配重塊組
20	2	5209801-A	P06-2144	BUSHING, GUIDE ROD RETAINER	升降桿護套
21	2	5095301-A	A05-0212	SHAFT COLLAR, GUIDE ROD	固定軸套
22	2	5098201-A	P06-0034	CUSHION, WEIGHT STACK	橡膠墊
23	1	5304401-A		BELT, AB TOWER	皮帶
24	1	5281101-A		WLDMT, 4.5 DOUBLE PULLEY	輪座片
25	2	5208201-A	P02-4266	PLATE, BELT CLAMP	固定片
26	2	2005404		BOLT, 3/8-16 X 1-1/4" (32mm) SOCKET HEAD	六角承窩螺絲 3/8"x 1-1/4"L
27	3	5094501-B	P06-0961	PULLEY, 4-1/2 X 25	大滑輪
28	1	5297701-A		LABEL, WEIGHT STACK 15LBS	磅數表
29	1	5212801-B	P10-0784	SHROUD, TOWER FRONT - RH	右前護網
30	1	5212901-B	P10-0785	SHROUD, TOWER FRONT - LH	左前護網
31	4	5213201-B	P06-2146	MOUNT, 19MM ID STANDOFF	橡膠套
32	4	2005405		BOLT, 3/8-16 X 1-1/2" (38mm) SOCKET HEAD	六角承窩螺絲 3/8"x 1-1/2"L
33	2	5214601-C	P06-2135	COVER, PULLEY 152MM DIA	護蓋
34	2	5217601-A	P06-2208	WASHER, RUBBER 19 ID X 25 OD X 3	墊片
35	2	5216301-A	P08-0165	SPACER, FLNG 16.2 X 10.2 X 7.5	T帽套管
36	1	5304301-A		CABLE ASSY, AB	鋼索
37	2	5304501-A	P12-0214	ASSY, AB STRAP	織帶
38	2	5280001-A	P06-2262	HOUSING, CABLE END COUPLER	鋼索護蓋

39	2	5279901-A	P05-1010	AL CORE, CABLE END COUPLER	鋼索取付
40	2	2003104	P05-1015	BOLT, 3/8 DIA X 15MM SHOULDER	限位螺絲
41	1	5297001-A	P10-0783	ASSY, REAR SHROUD	后護網
42	1	5294801-A		ASSY, AB PLACARD	塑膠膠合運動看板
43	1	5294601-A	P20-2990	ASSY, TOWER CAP	塑膠蓋組
44	2	5244001-A	P06-2155	TRAY, TOWER CAP - LARGE	橡膠墊
45	1	5244101-A	P06-2156	TRAY, TOWER CAP - SMALL	橡膠墊
46	1	5248101-A	P07-0436	PAD, LARGE SEAT	膝墊
47	8	2006404		BOLT, 3/8-16 X 1-1/4" (32mm) SOCKET HEAD W/NP	六角承窩螺絲 3/8"x 1-1/4"L 點耐落
48	1	5246201-B	P07-0434	PAD, SMALL SEAT	座墊
49	1	5263001-A	P07-0438	PAD, LUMBAR	腰墊
50	1	5267801-A	P04-2881	AB MAIN FRAME WELDMENT	固定立管
51	4		P05-0204	FLANGE BEARING	法蘭培林
52	1	5205401-A	P06-2129	END CAP, FLATOVAL	橢圓管塞
53	2		P03-0616	SLEEVE	套管
54	1	5294101-A	P06-2256	Main Frame Leveler	腳墊
55	1			BOLT, 3/8-16 X 3-3/4" (95mm) SOCKET HEAD	六角承窩螺絲 3/8"x 3-3/4"L
56	1		P06-0134	PLUG	扣塞
57	12			AVK INSERT	拉帽
58	12			WASHER, FLAT 16 X 6.5 X 1.0T	平面華司16X6.5X1.0T
59	1	5293901-B	P06-2254	FOOT, TOWER	腳墊
60	4	2006503		BOLT, 1/4-20 X 3/4" (19mm) SOCKET HEAD W/NP	六角承窩螺絲 1/4"x 3/4"L 點耐落
61	1	5281001-A	P04-2880	AB TOWER WELDMENT	固定立管
62	1	5223801-B	P04-2813	PLATE, LIMIT	限位片組
63	1		P06-0014	BUMPER	緩衝墊
64	8			WASHER, FLAT 12 X 5.2 X 1.0T	平面華司12X5.2X1.0T
65	2			BOLT, 3/8-16 X 3-1/2" (89mm) SOCKET HEAD	六角承窩螺絲 3/8"x 3-1/2"L
66	6	5248501-A	P08-0121	SPACER, FLNG 16.2 X 10.1 X 6	T帽套管
67	4	5213001-A	P06-2143	CUSHION, SHROUD HOLDER	緩衝墊
68	2	5203801-A	A06-0231	BELT PULLEY	平皮帶滑輪
69	2			BOLT, 3/8-16 X 2" (51mm) SOCKET HEAD	六角承窩螺絲 3/8"x 2"L
70	1	5233701-A	P04-2857	SR-AB BASE CONNECTOR	連接管
71	1	5226901-A	P06-2136	TREAD COVER	腳墊
72	2	5268701-A	P04-2882	SWIVEL PULLEY WELDMENT	輪座片
73	1	52102PA-B	P10-0777	15LB HEAD PLATE	上片組
74	1	5210901-A	P10-0781	SELECTOR STEM	選擇桿
75	1	5303701-A	P02-4395	LANYARD CLIP	卡片
76	1	5211301-A	P03-1946	BELT CLAMP	鐵心
77	1		P05-0187	CLEVIS PIN	彈簧鞘
78	1	5211201-B	P06-2134	BELT CLAMP HOUSING	塑膠塊
79	2	5218401-B	P06-2145	BUMPER	橡膠墊

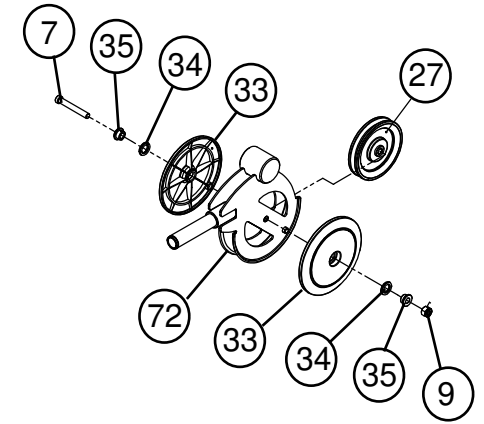
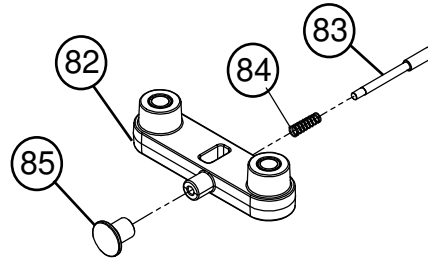
80	1	5245301	P11-0183	WEIGHT STACK SELECTOR PIN	選擇桿插鞘組
81	2			BOLT, 3/8-16 X 1-3/4" (45mm) SOCKET HEAD W/NP	六角承窩螺絲 3/8"x1 3/4"L 點耐落
82	1	52180PA-C	P10-0780	7.5LB INC. WEIGHT	配重塊
83	1	5218101-A	P05-0991	PIN, 7.5LB INC. WEIGHT	插鞘桿
84	1	P46609-101	A05-1079	SPRING	壓縮彈簧
85	1	5244901-C	P06-2132	KNOB, 7.5LB INC. WEIGHT	插銷頭
86	1	5243801-C	P06-2152	TOWER CAP	塑膠蓋
87	1		P10-0098	BADGE	銘牌



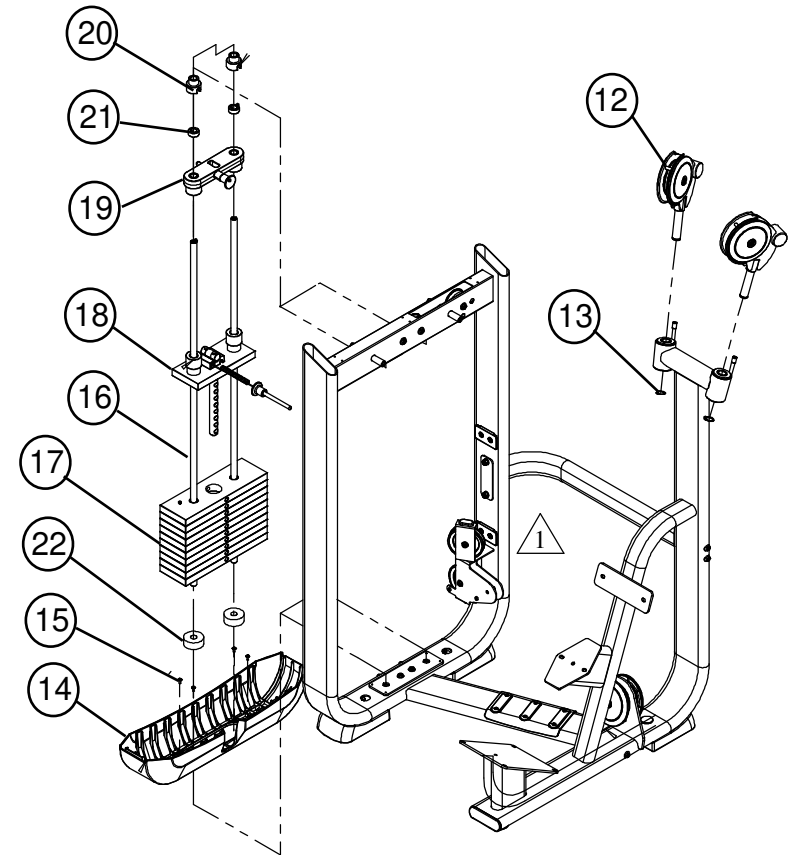
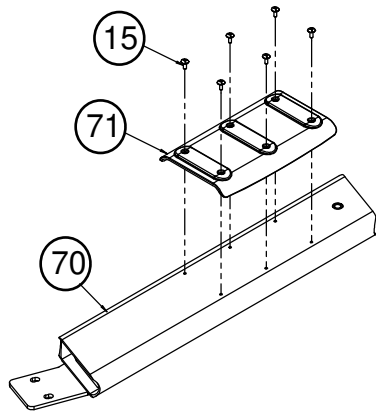
#19 P/N 5218201-C ASSY, 7.5LB INC. WEIGHT

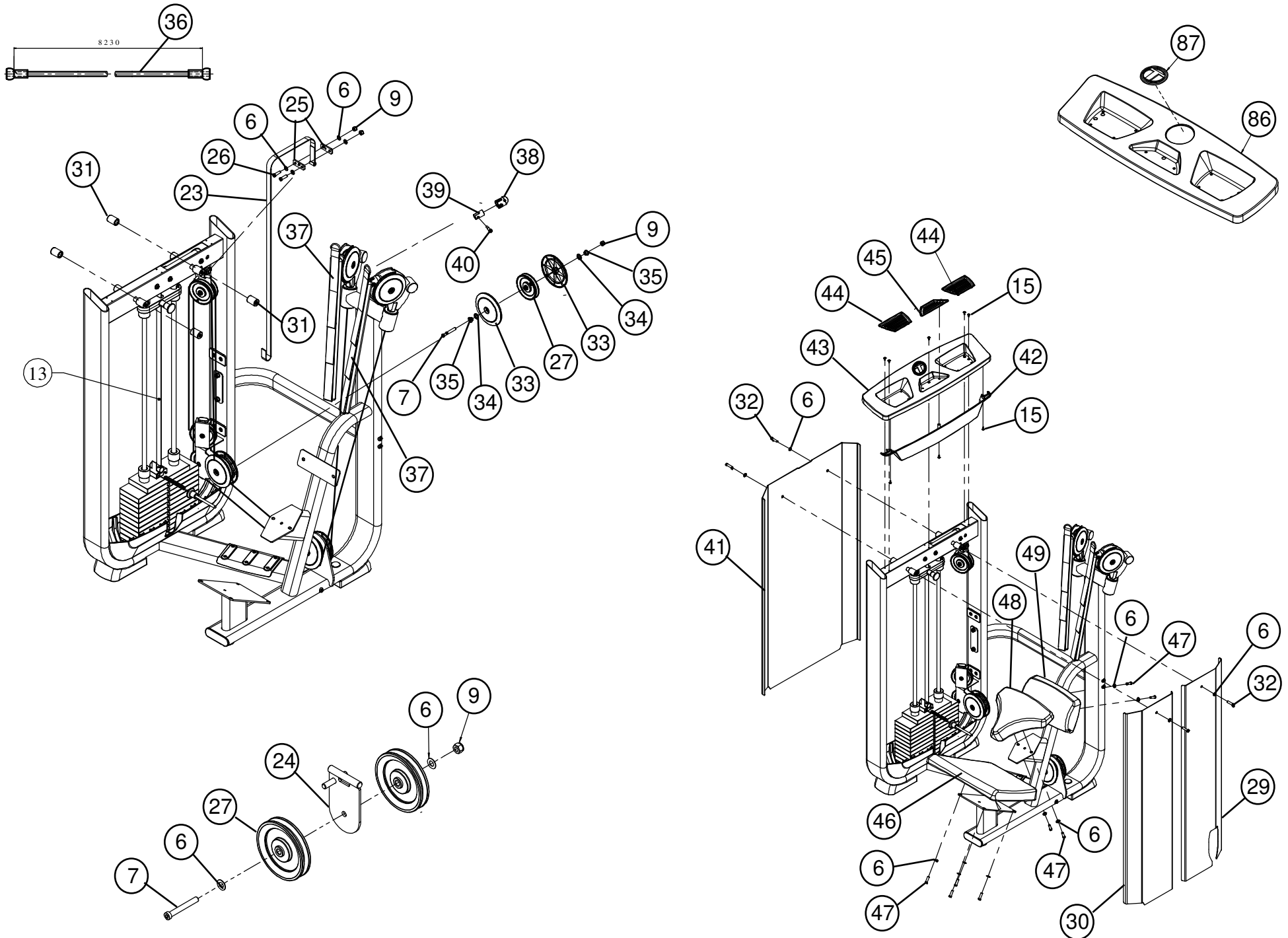


#12 P/N 52687PA-A PTD ASSY, SWIVEL PULLEY

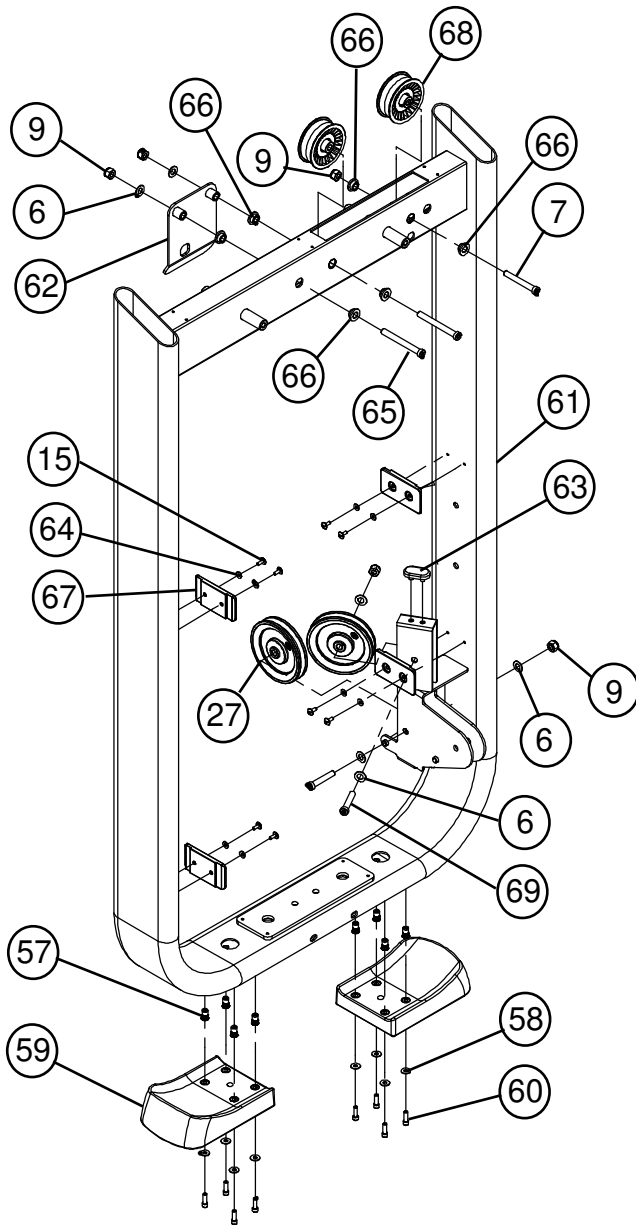


#3 P/N 52337PA-A PTD ASSY, SR-AB BASE CONNECTOR

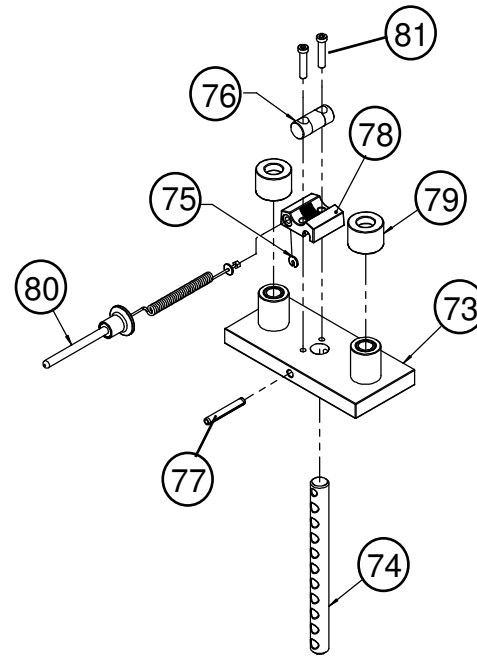




#2 P/N 52810PA-A ASSY, AB TOWER



#18 P/N 5250101-B ASSY, 10 PLATE HEAD PLATE



#1 P/N 52678PA-A PTD ASSY, AB MAIN FRAME

