

Инструкция

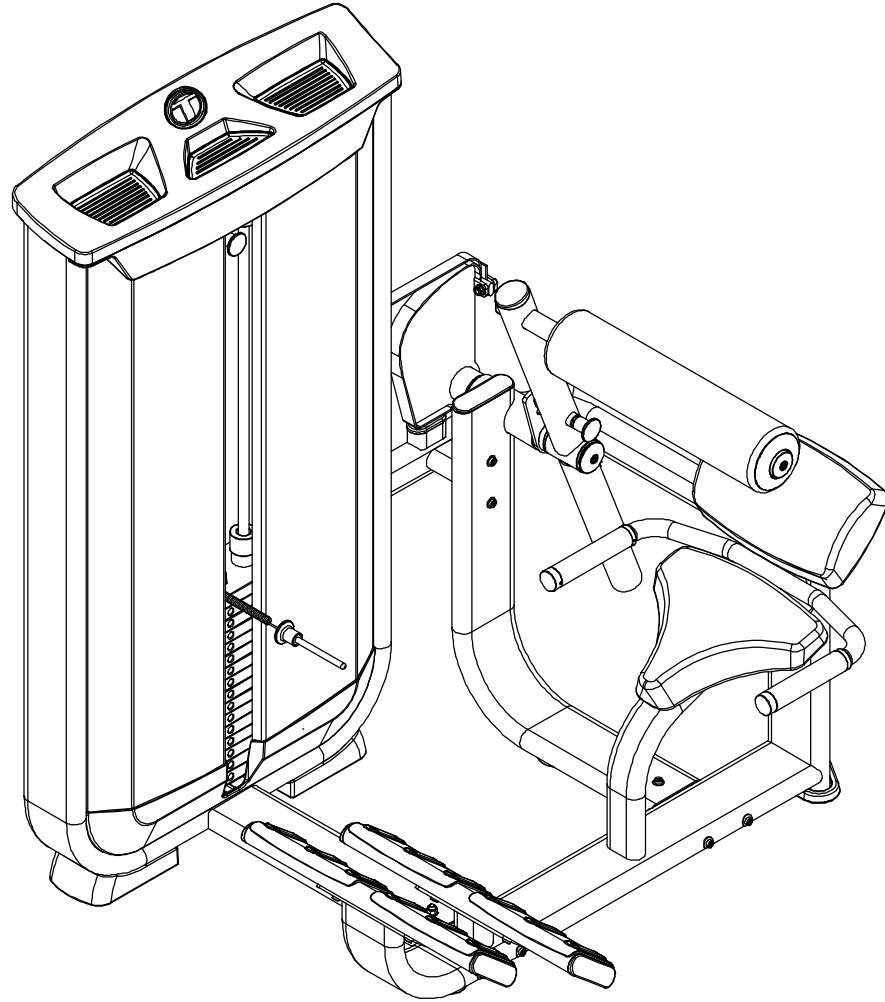
Спина/пресс Inotec NL8

Полезные ссылки:

[Спина/пресс Inotec NL8 - смотреть на сайте](#)

[Спина/пресс Inotec NL8 - читать отзывы](#)

BACK EXTENSION

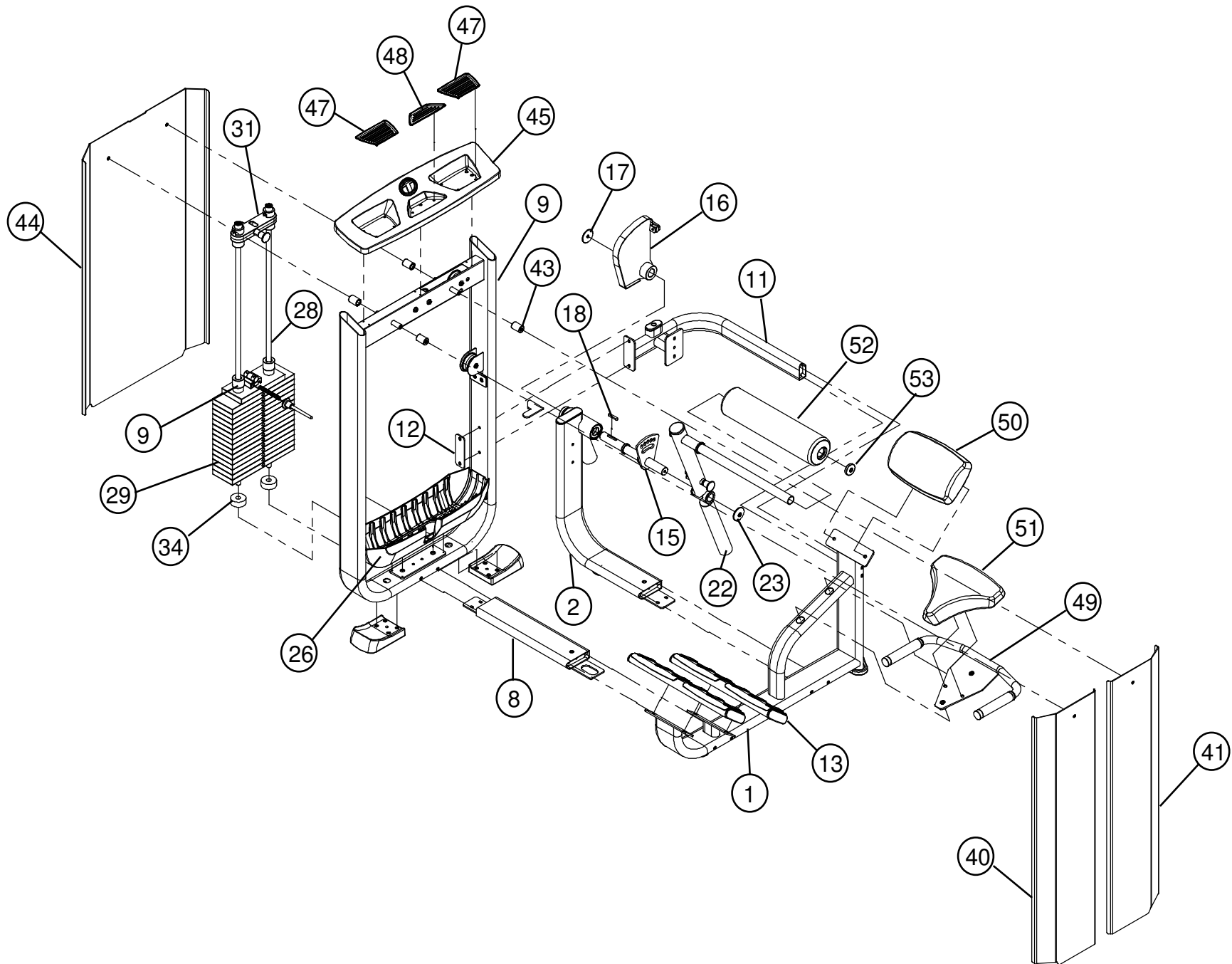


PARTS LIST

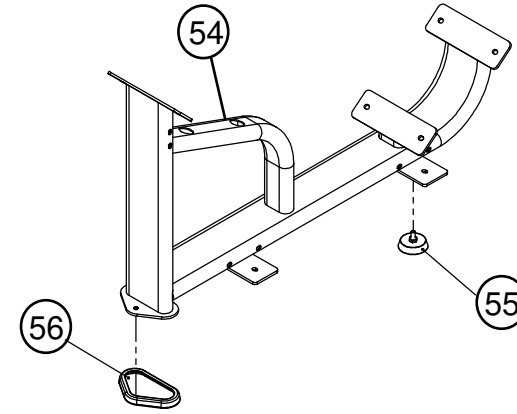
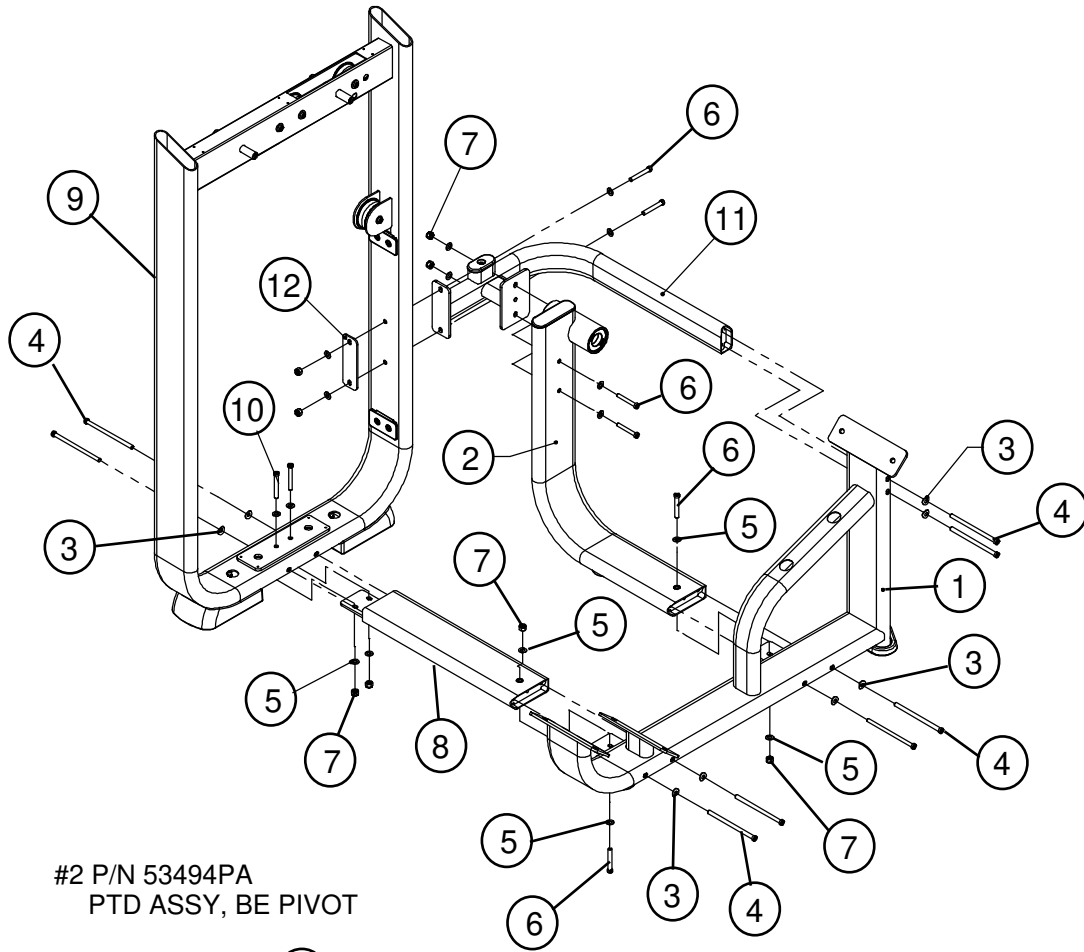
ITEM	QTY	PART NO	Paraong P/N	DESCRIPTION	Chinese Description
1	1	52989PA-B	P20-2981	PTD ASSY, BE MAIN FRAME	固定立管組
2	1	53494PA	P20-2982	PTD ASSY, BE PIVOT	連接管組
3	9	2003001		WASHER, 3/8" SAE CURVED	弧形華司
4	8	2006424		BOLT, 3/8-16 X 6-1/4" (159mm) SOCKET HEAD W/NP	六角承窩螺絲 3/8"x 6-1/4"L 點耐落
5	34	2001101		WASHER, FLAT 3/8 SAE ST ZN	平面華司20X10.5X1.0T
6	6	2005409		BOLT, 3/8-16 X 2-1/2" (64mm) SOCKET HEAD	六角承窩螺絲 3/8"x 2-1/2"L
7	8	2001201		NUT, 3/8-16 LK ST ZN	尼龍螺帽3/8"-16x11T
8	1	52815PA-A	P04-2832	PTD ASSY, BE BASE CONNECTOR	連接管組
9	1	52516PA-C	P20-2983	PTD ASSY, BE TOWER	主架固定管組
10	2	2005410		BOLT, 3/8-16 X 2-3/4" (70mm) SOCKET HEAD	六角承窩螺絲 3/8"x 2-3/4"L
11	1	52503PA-A	P20-2984	PTD ASSY, BE CROSS SUPPORT	連接管組
12	1	5221401-A	P02-4251	PLATE, 50 X 155 X 4MM	固定片
13	2	52496PA-A	P20-2985	PTD ASSY, BE FOOT SUPPORT	腳踏管組
14	10	2006404		BOLT, 3/8-16 X 1-1/4" (32mm) SOCKET HEAD W/NP	六角承窩螺絲 3/8"x 1-1/4"L 點耐落
15	1	5356501	P04-2838	WLDMT, ADJUSTABLE START	調整片組
16	1	5349301	P04-2839	WLDMT, BE CAM	固定片組
17	1	5215901-B	P05-0979	CAP, AL END 6205Z BEARING HOUSING	鋁蓋
18	1	5349101	P05-1008	KEY, 35mm CAM SHAFT	固定塊
19	2	2006402		BOLT, 3/8-16 X 3/4" (19mm) SOCKET HEAD W/NP	六角承窩螺絲 3/8"x 3/4"L 點耐落
20	2	5349201	P03-2181	SPACER, 35 ID X 45 OD X 8	套管
21	1	5357501	P03-2004	SPACER, PIVOT ARM	阻擋片
22	1	53568PA	P20-2986	PTD ASSY, BE PIVOT ARM	泡棉管組
23	1	5356301	P05-1208	CAP, LARGE AL END PIVOT POINT	鋁蓋
24	1	5222501-B	P03-1945	COUNTER WEIGHT, 325 LONG DIPPED	配重鐵心
25	2	2006403		BOLT, 3/8-16 X 1" (25mm) SOCKET HEAD W/NP	六角承窩螺絲 3/8"x 1"L 點耐落
26	1	5212601-C	P06-2151	COVER, TOWER BASE	塑膠底座
27	12	2004802		SCREW, 10-32 X 1/2" (12MM) PAN HEAD W/NP	大扁頭十字螺絲#10-32x1/2"L 點耐落
28	2	5209701-A	P01-3735	GUIDE ROD, 19 DIA X 1315	升降桿
29	15	52101PA-B	P10-0778	PTD ASSY, 15 LB WEIGHT PLATE	選擇片
30	1	5250201-C	P20-2989	ASSY, 15 PLATE HEAD PLATE	上片組
31	1	5218201-D	P20-2988	ASSY, 7.5LB INC. WEIGHT	配重塊組
32	2	5095301	A05-0212	SHAFT COLLAR, GUIDE ROD	固定軸套
33	2	5209801	P06-2144	BUSHING, GUIDE ROD RETAINER	升降桿護套
34	2	5098201	P06-0034	CUSHION, WEIGHT STACK	橡膠墊
35	1	5280101-B	P17-0015	BELT, BE TOWER	皮帶
36	1	5209501-A	P02-4387	PLATE, BELT WRAP	固定片
37	1	5208201-A	P02-4266	PLATE, BELT CLAMP	固定片
38	6	2005405		BOLT, 3/8-16 X 1-1/2" (38mm) SOCKET HEAD	大扁頭十字螺絲#10-32x 1-1/2"L
39	2	2004301		NUT, 3/8-16 LH LK ST ZN	尼龍螺帽3/8"-16x7.2T
40	1	5212901-B	P10-0785	SHROUD, TOWER FRONT - LH	左前護網
41	1	5248901-A	P10-0807	SHROUD, TOWER FRONT N/O	右前護網

42	1	5297701-A		LABEL, WEIGHT STACK 15LBS	磅數表
43	4	5213201-B	P06-2146	MOUNT, 19MM ID STANDOFF	橡膠套
44	1	5297001-A	P10-0783	ASSY, REAR SHROUD	后護網
45	1	5294601-A	P20-2990	ASSY, TOWER CAP	塑膠蓋組
46	1	5295201-A		ASSY, BE PLACARD	塑膠蓋含運動看板
47	2	5244001-A	P06-2155	TRAY, TOWER CAP - LARGE	橡膠墊
48	1	5244101-A	P06-2156	TRAY, TOWER CAP - SMALL	橡膠墊
49	1	52537PA-A	P20-2987	PTD ASSY, BE HANDLE	把手管組
50	1	5263001-A	P07-0438	PAD, LUMBAR	腰墊
51	1	5246201	P07-0434	PAD, SMALL SEAT	座墊
52	1	5246801-D	P06-2172	PAD, LONG ROLLER	泡棉
53	1	5222201-A	P05-0978	CAP, AL ROLLER PAD	鋁華司
54	1	5298901-A	P04-2831	BE MAIN FRAME	固定立管
55	1	5294101-A	P06-2256	Main Frame Leveler	腳墊
56	1	5257201-A	P06-2203	FOOT PAD	橡膠墊
57	1	4349401	P04-2833	BE PIVOT WELDMENT	連接管
58	2			6007ZZ BEARING	培林
59	1	5205401-A	P06-2129	END CAP, FLATOVAL	橢圓管塞
60	1	5251601-B	P04-2830	BE TOWER WELDMENT	主架固定管
61	1	5223801-B	P04-2813	PLATE, LIMIT	限位片組
62	4	5213001-A	P06-2143	CUSHION, SHROUD HOLDER	緩衝墊
63	2	5293901-B	P06-2254	FOOT, TOWER	腳墊
64	6	5248501-A	P08-0121	SPACER, FLNG 16.2 X 10.1 X 6	T帽套管
65	3	5203801-A	A06-0231	BELT PULLEY	平皮帶滑輪
66	8			AVK INSERT	拉帽
67	1	2006503		BOLT, 1/4-20 X 3/4" (19mm) SOCKET HEAD W/NP	六角承窩螺絲 1/4"x 3/4"L 點耐落
68	8			WASHER, FLAT 12 X 5.2 X1.0T	平面華司12X5.2X1.0T
69	8			WASHER, FLAT 16 X 6.5 X 1.0T	平面華司16X6.5X1.0T
70	2			BOLT, 3/8-16 X 3-1/2" (89mm) SOCKET HEAD	六角承窩螺絲 3/8"x 3-1/2"L
71	1	5250301-A	P04-2834	BE CROSS SUPPORT	連接管
72	1			WASHER, FLAT 16 X 5.5 X1.0T	平面華司16X5.5X1.0T
73	1	5205201-A	P06-2188	BUMPER	緩衝墊
74	2	5249601-A	P04-2835	BE FOOT SUPPORT	腳踏管
75	2	5226901-A	P06-2136	TREAD COVER	腳墊
76	1	5251201-C	P04-2837	BE PIVOT ARM	泡棉管
77	1			BOLT, 3/8-16 X 1-3/4" (45mm) SOCKET HEAD W/NP	六角承窩螺絲 3/8"x1 3/4"L 點耐落
78	1	5263501-B	P03-2022	SPACER	套管
79	1		P06-0279	ROUND END CAP	圓管內塞
80	1	5226801-A	P06-2130	ROUND END CAP	圓管內塞
81	2	5355301	P08-0207	BUSHING	含油軸承
82	1	5263601-A	P11-0187	ADJUSTMENT PIN	調整彈簧插鞘組
83	1	52102PA-B	P10-0777	15LB HEAD PLATE	上片組
84	1	5210901-A	P10-0781	SELECTOR STEM	選擇桿

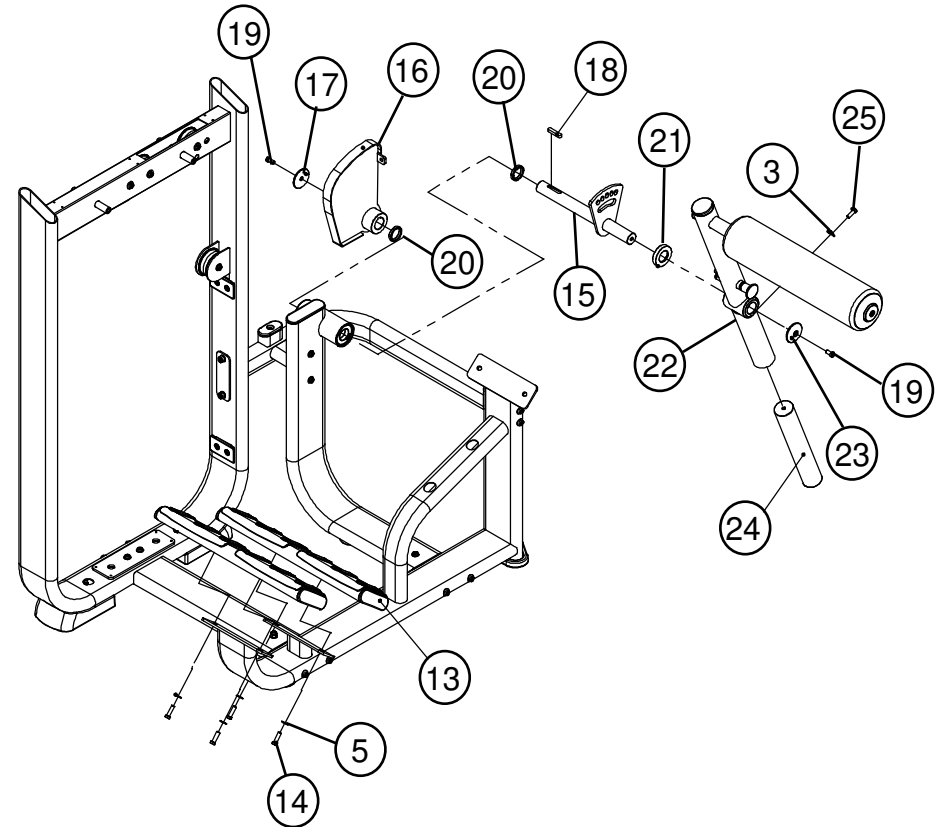
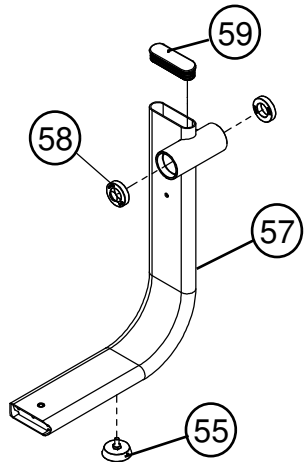
85	1	5303701-A	P02-4395	LANYARD CLIP	卡片
86	1	5211301-A	P03-1946	BELT CLAMP	鐵心
87	1		P05-0187	CLEVIS PIN	彈簧鞘
88	1	5211201-B	P06-2134	BELT CLAMP HOUSING	塑膠塊
89	2	5218401-B	P06-2145	BUMPER	橡膠墊
90	1	5245301	P11-0183	WEIGHT STACK SELECTOR PIN	選擇桿插鞘組
91	1	52180PA-C	P10-0780	7.5LB INC. WEIGHT	配重塊
92	1	5218101-A	P05-0991	PIN, 7.5LB INC. WEIGHT	插鞘桿
93	1	P46609-101	A05-1079	SPRING	壓縮彈簧
94	1	5244901-C	P06-2132	KNOB, 7.5LB INC. WEIGHT	插銷頭
95	1	5243801-C	P06-2152	TOWER CAP	塑膠蓋
96	1		P10-0098	BADGE	銘牌
97	1	5253701-A	P04-2840	BE HANDLE	把手管
98	2	5096601-B	P05-0996	ALUMINUM CAP	鋁蓋
99	2	5096301-B	P05-0997	COLLAR	鋁環
100	2	5208801-A	P06-2216	HAND GRIP	把手套
101	8			SET SCREW M4x3mmL	止付螺絲



#1 P/N 52989PA-B PTD ASSY, BE MAIN FRAME

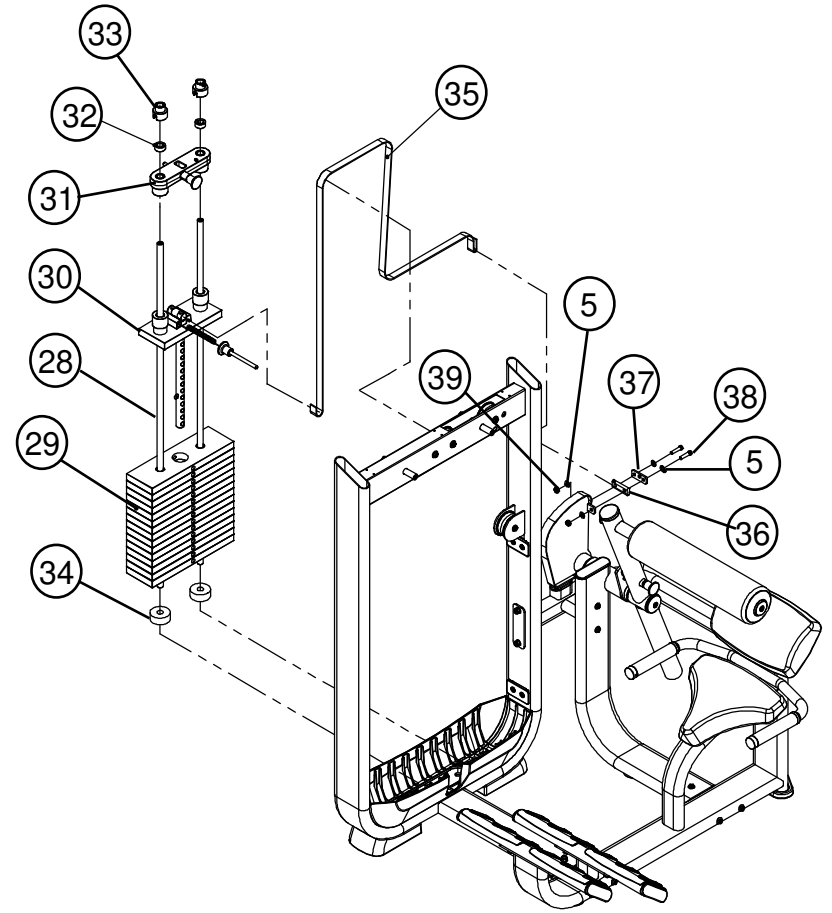
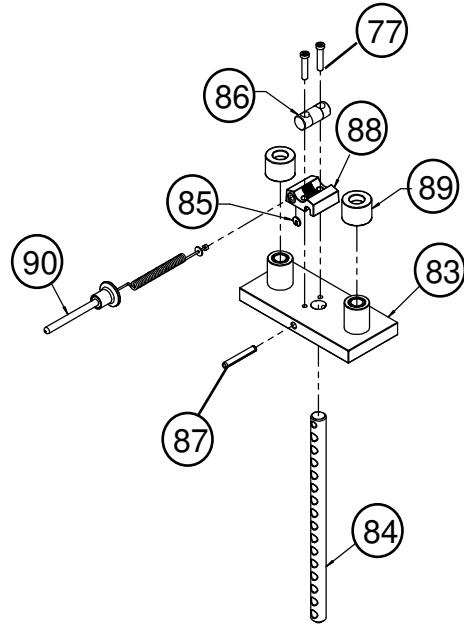
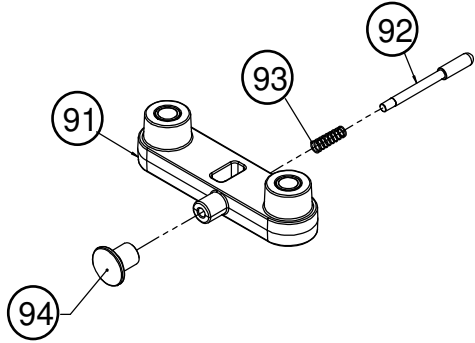


#2 P/N 53494PA
PTD ASSY, BE PIVOT

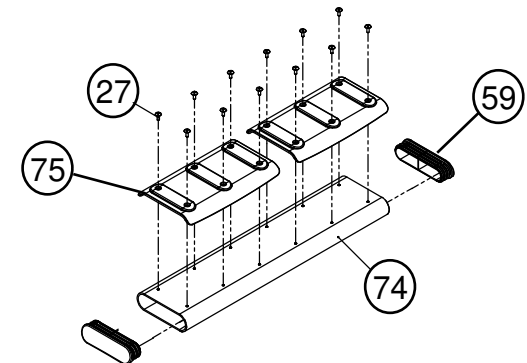
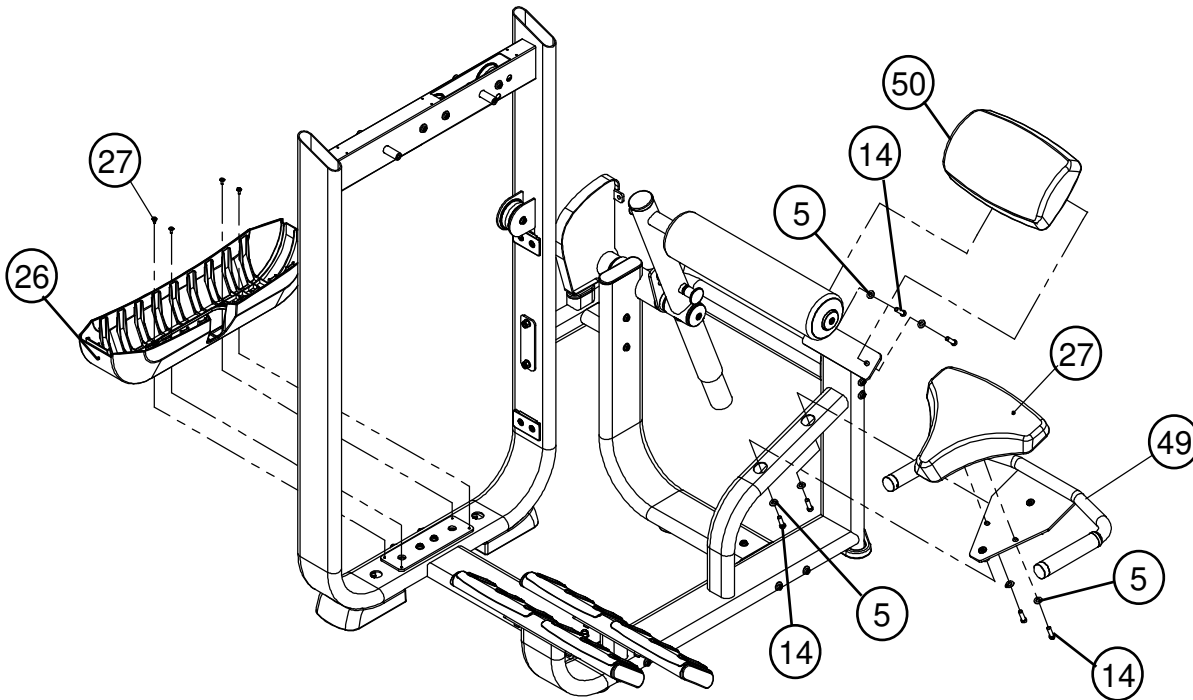


#30 P/N 5250201-C ASSY, 15 PLATE HEAD PLATE

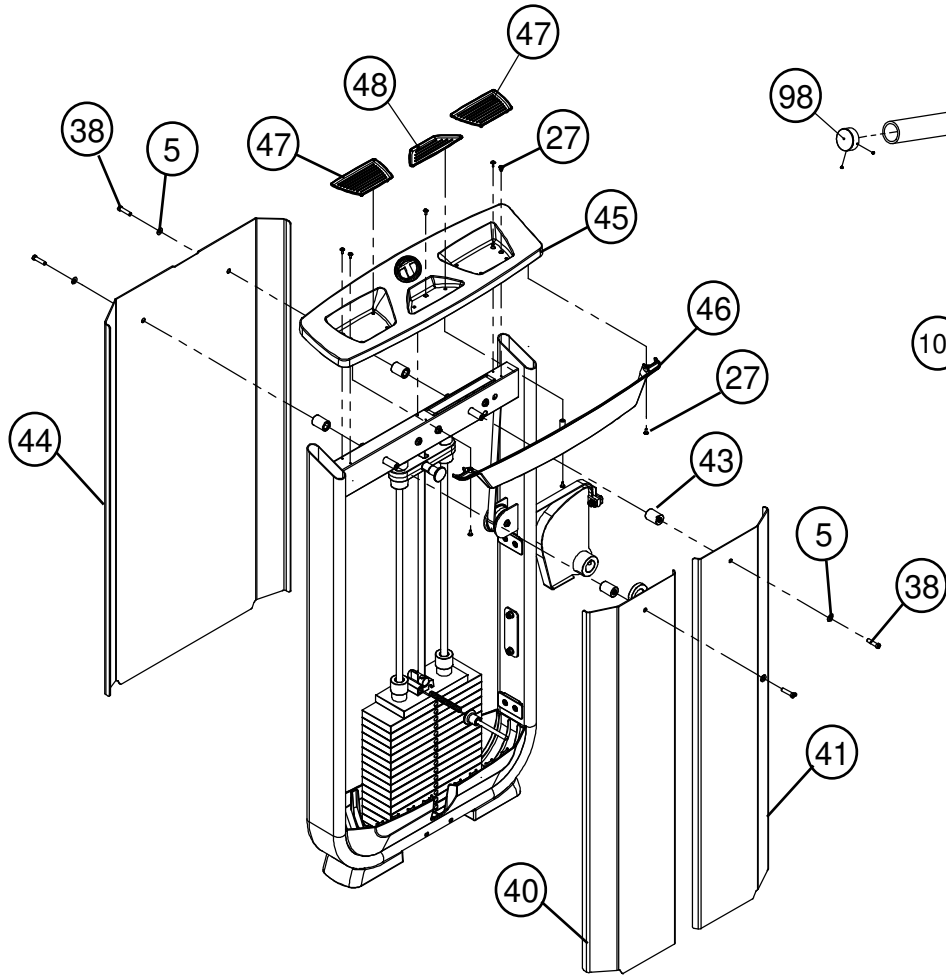
#31 P/N 5218201-D
ASSY, 7.5LB INC. WEIGHT



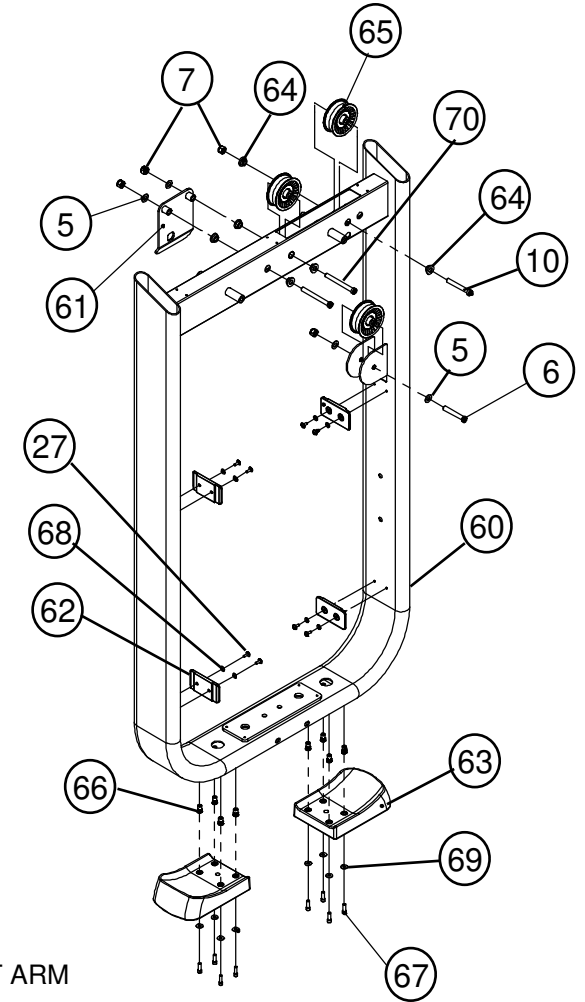
#13 P/N 52496PA-A PTD ASSY, BE FOOT SUPPORT



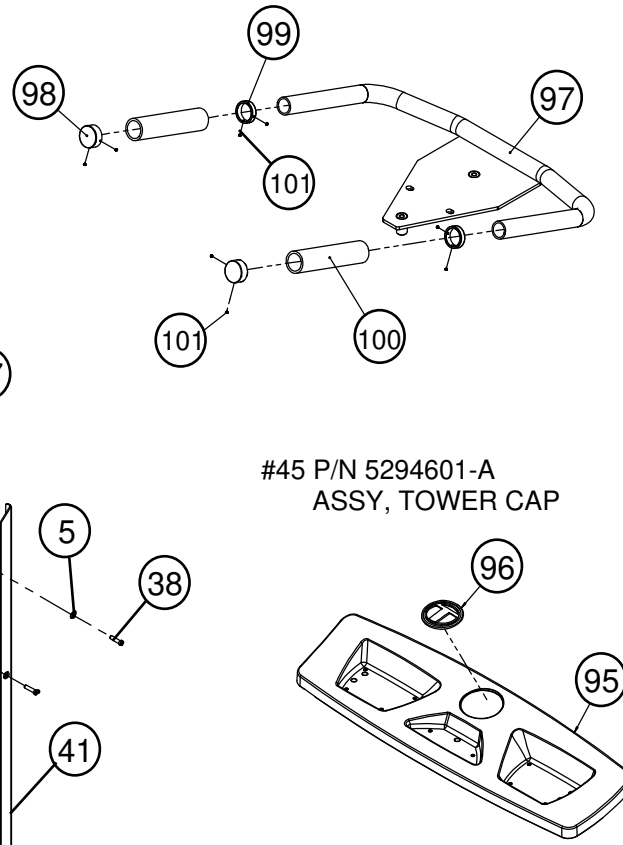
#49 P/N 52537PA-A PTD ASSY, BE HANDLE



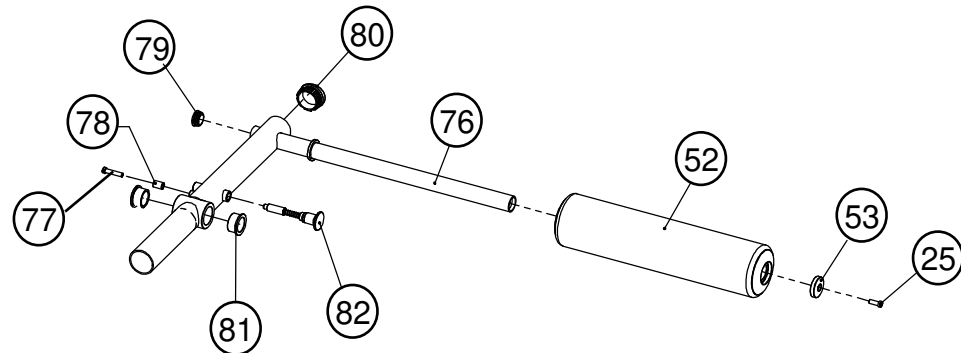
#9 P/N 52516PA-C PTD ASSY, BE TOWER



#45 P/N 5294601-A ASSY, TOWER CAP



#22 P/N 53568PA PTD ASSY, BE PIVOT ARM



#11 P/N 52503PA PTD ASSY, BE CROSS SUPPORT

