

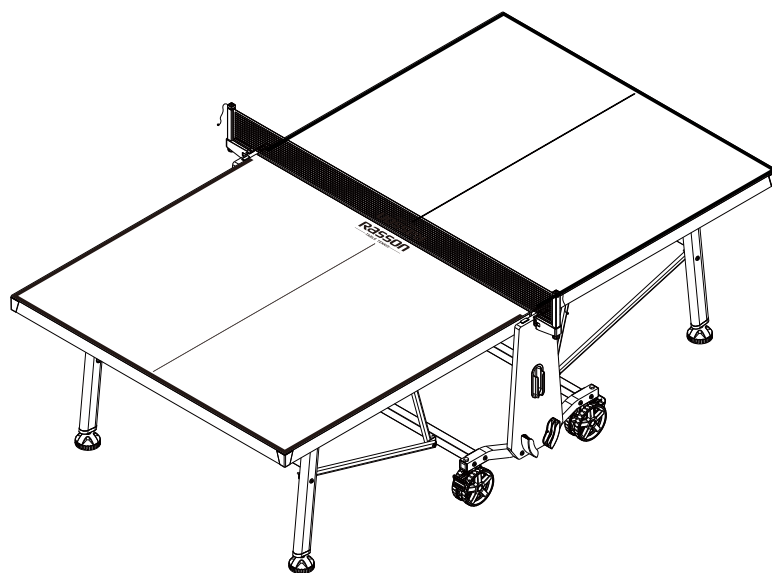
## **Инструкция**

### **Теннисный стол складной для помещений Rasson Premium S-2260 Indoor**

Полезные ссылки:


















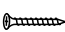
[Теннисный стол складной для помещений Rasson Premium S-2260 Indoor - смотреть на сайте](#)

# TABLE TENNIS TABLE

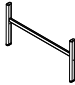
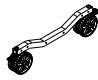



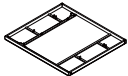

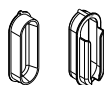









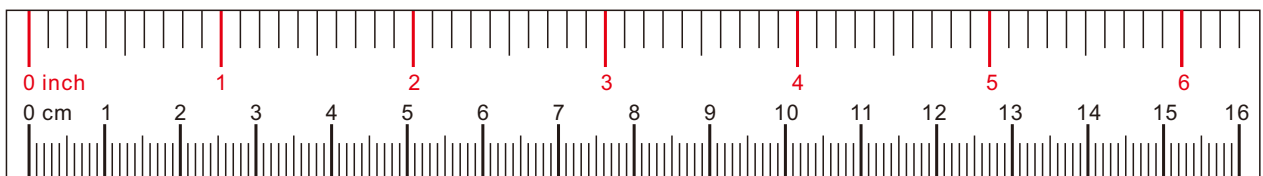
# TABLE TENNIS TABLE ASSEMBLY INSTRUCTIONS

## TABLE TENNIS TABLE HARDWARE






PACKAGE	ITEM#	SAMPLE	DESCRIPTION	QTY.
	H1		HEX HEAD CROSS BOLT 1/4" X 2-3/16"(M6X55mm)	8
	H2		SKID NUT 1/4" I.D.	8
	H3		HEX HEAD CROSS BOLT 1/4" X 3"(M6X75mm)	4
	H4		FLAT WASHER 1/4" I.D.	4
	H5		SKID NUT 1/4" I.D.	8
	H6		HEX HEAD CROSS BOLT 1/4" X 2-3/16"(M6X55mm)	4
	H7		FLAT WASHER 1/4" I.D.	4
	H8		NYLON WASHER 1/4" I.D.	8
	H9		SKID NUT 1/4" I.D.	4
	H10		HEX HEAD CROSS BOLT 1/4" X 2-3/8"(M6X60mm)	4
	H11		NYLON BUSHINGS 1/4" I.D.	8
	H12		SKID NUT 1/4" I.D.	4
	H13		HEX HEAD CROSS BOLT 1/4" X 3"(M6X75mm)	4
	H14		HEX HEAD CROSS BOLT 1/4" X 1-3/8"(M6X35mm)	4
	H15		FLAT WASHER 1/4" I.D.	8
	H16		NYLON WASHER 1/4" I.D.	16
	H17		SKID NUT 1/4" I.D.	8
	H18		FLAT HEADED SCREW 1/8" X 5/8"(M3X15mm)	8

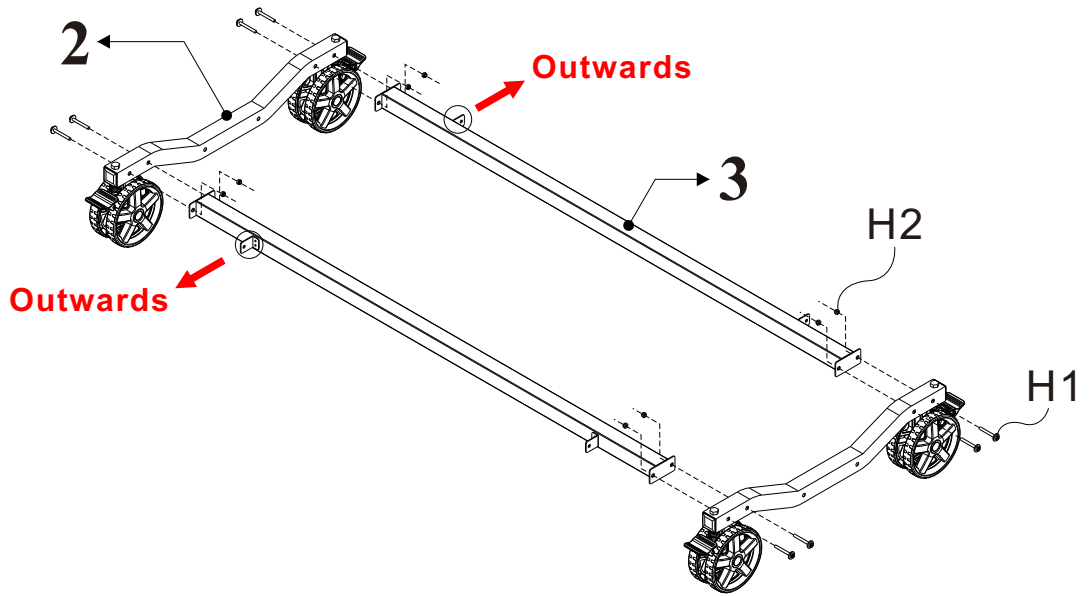
## TABLE TENNIS TABLE COMPONENT PARTS

PACKAGE	ITEM#	SAMPLE	DESCRIPTION	QTY.
LEG	1		END LEG	2
	BASE FRAME	2		BASE FRAME
3			BASE BEAM	2
STRUT	4		LONG STRUT	4
	5		SHORT STRUT	4
	6		TABLE TOP	2
	7		UNDERCARRIAGE	2
PLASTIC	8		BALLS CLAMP	2
	9		BATS CLAMP	4
	10		CLIP & NET	1
	11		LEG PAD	4
	12		PLASTIC PLUG	4
TOOLS	T1		1/4"(M6)	1
	T2		1/4"(M6)	1
	T3		1/8"(M3)	1

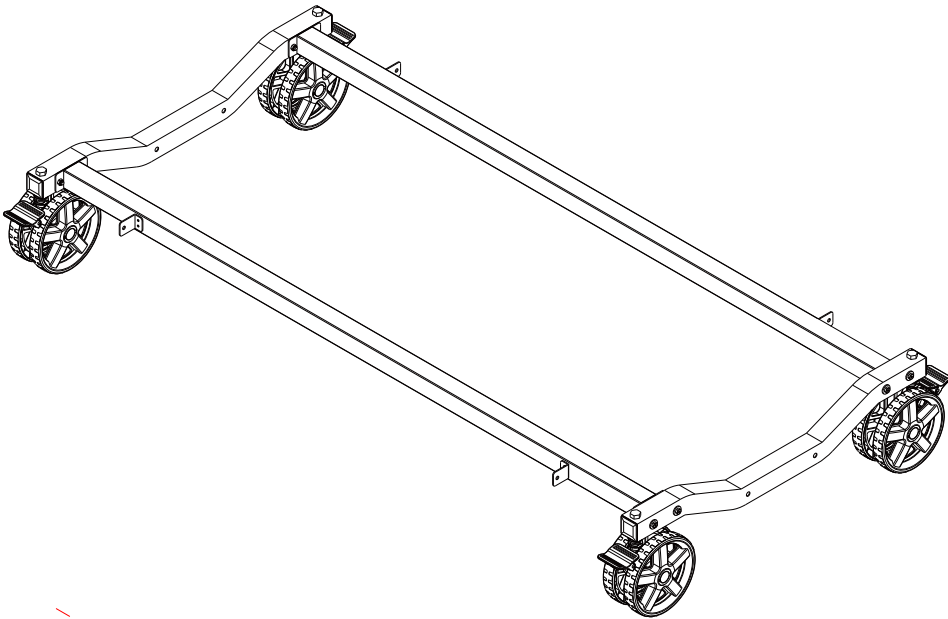


**FIG.1**

	1/4"x2-3/16"	8 PCS		1/4" ID.	8 PCS
T1		T2/T3			



**FIG.2**



**FIG3**

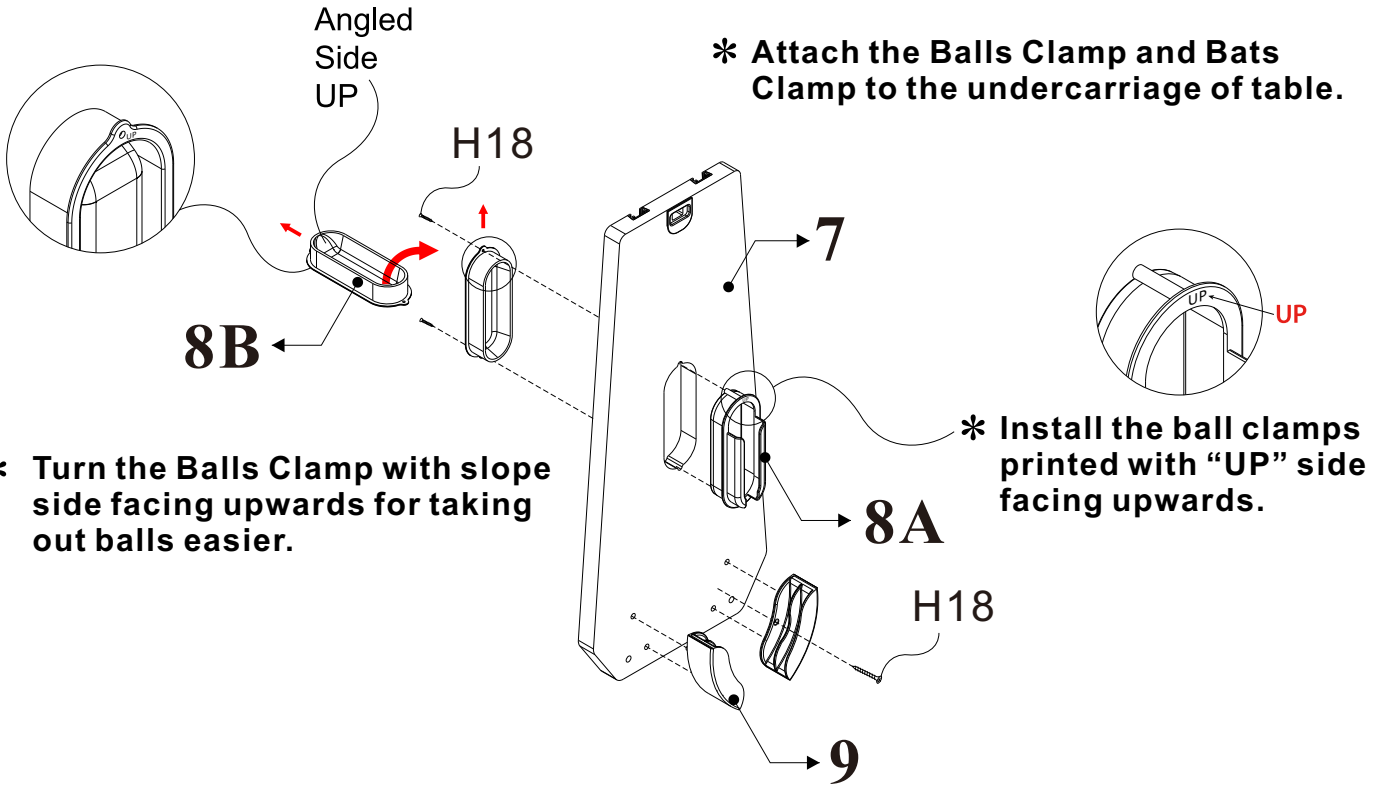
1/8"x5/8"

8 PCS

T3

**X 2**

\* Attach the Balls Clamp and Bats Clamp to the undercarriage of table.

**FIG.4**

1/4"x3"

4 PCS



1/4" ID.

4 PCS



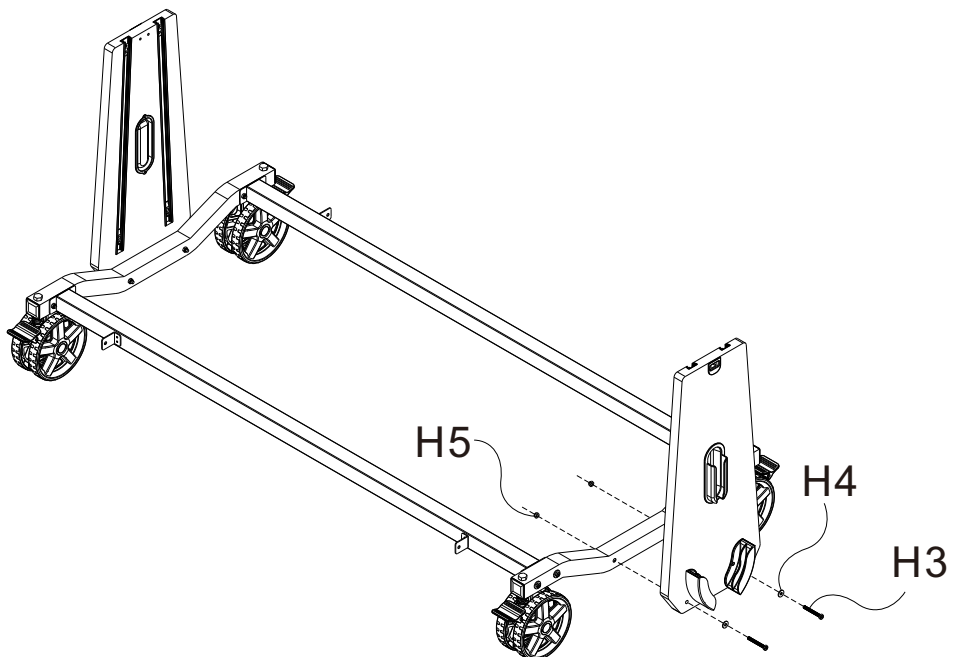
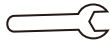
1/4" ID.

4 PCS







T1

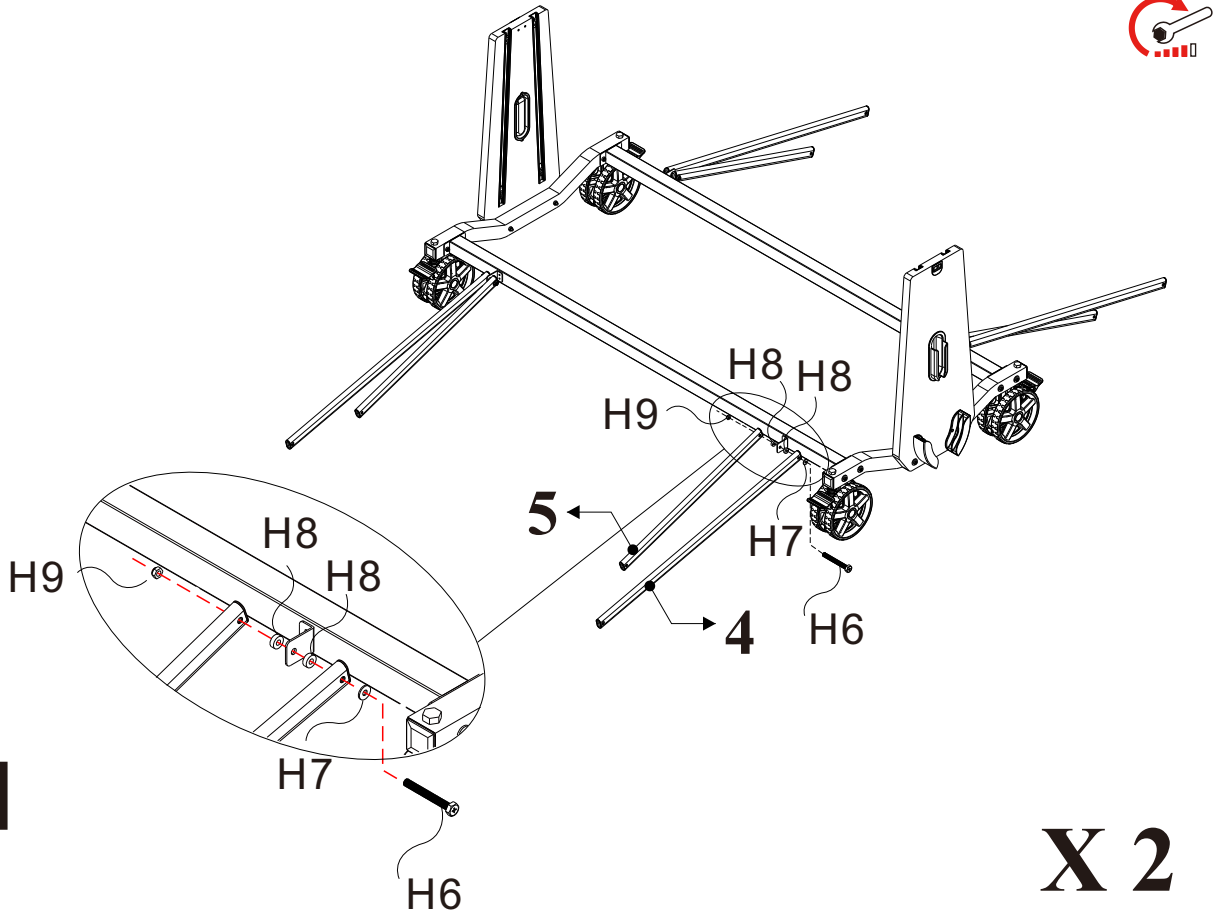
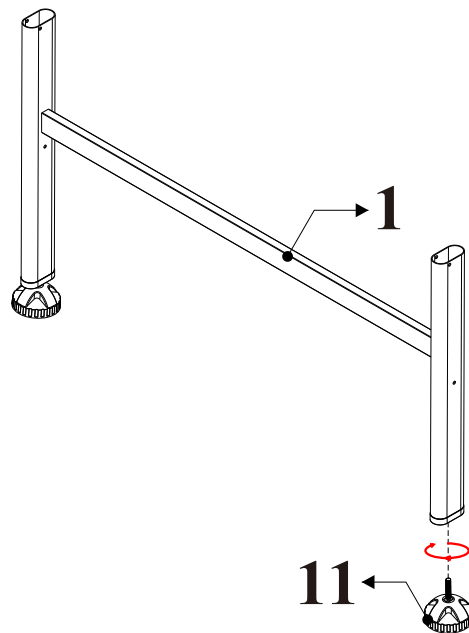


T2/T3






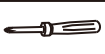


**FIG.5**

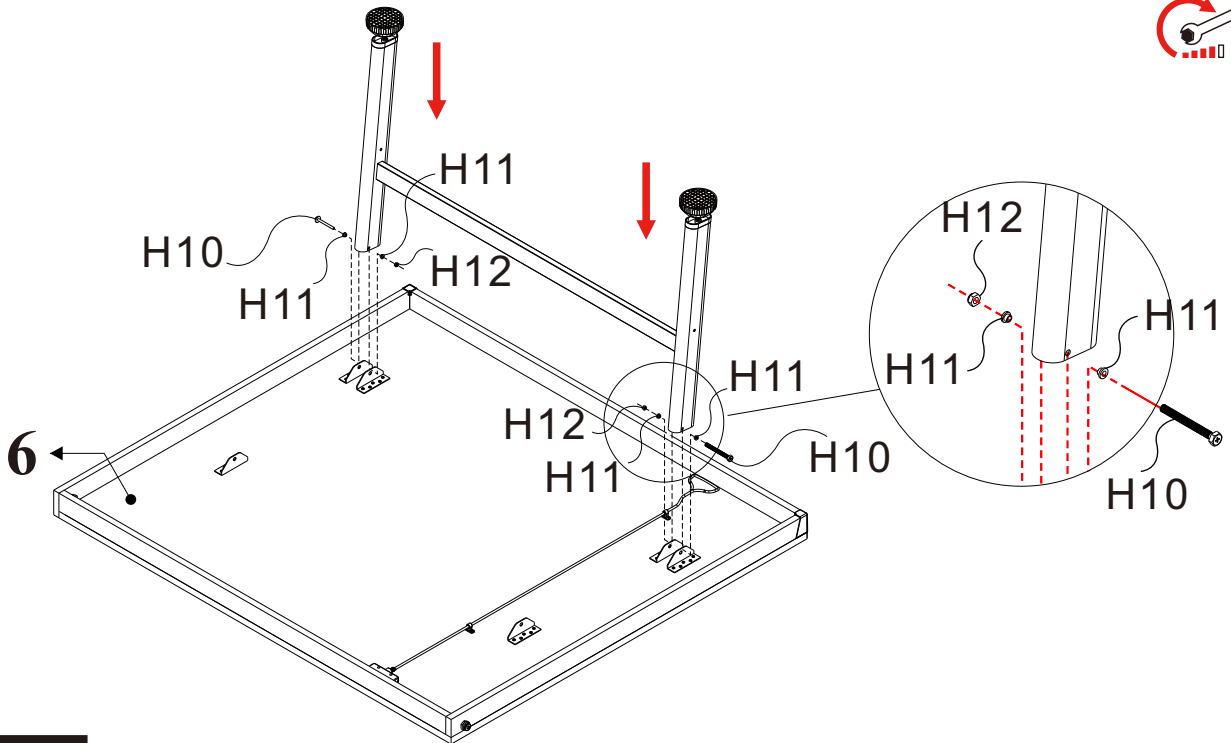
	1/4"x2-3/16"	4 PCS		1/4" ID.	4 PCS		1/4" ID.	8 PCS
T1 	T2/T3 						1/4" ID.	4 PCS

**FIG.6**

**FIG.7**

	1/4"x2-3/8"	4 PCS		1/4" ID.	8 PCS		1/4" ID.	4 PCS
T1		T2/T3						

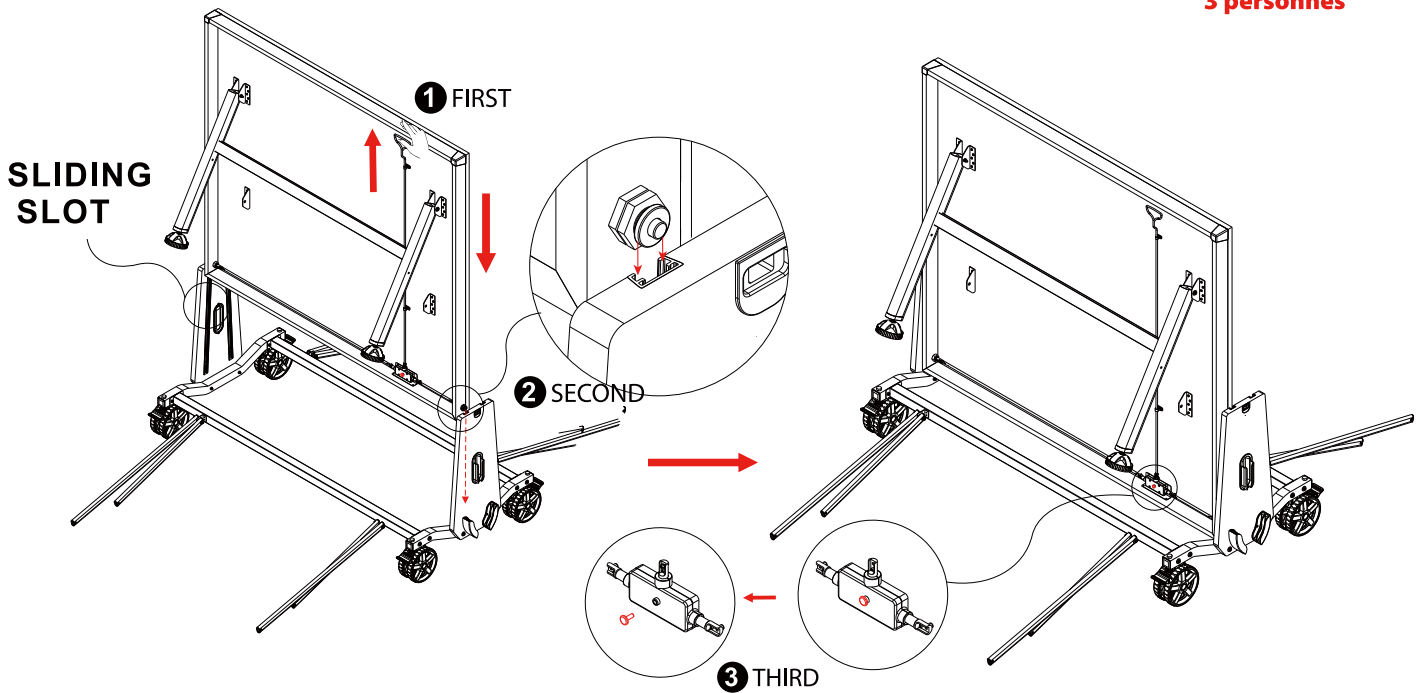
**X 2**



**FIG.8**











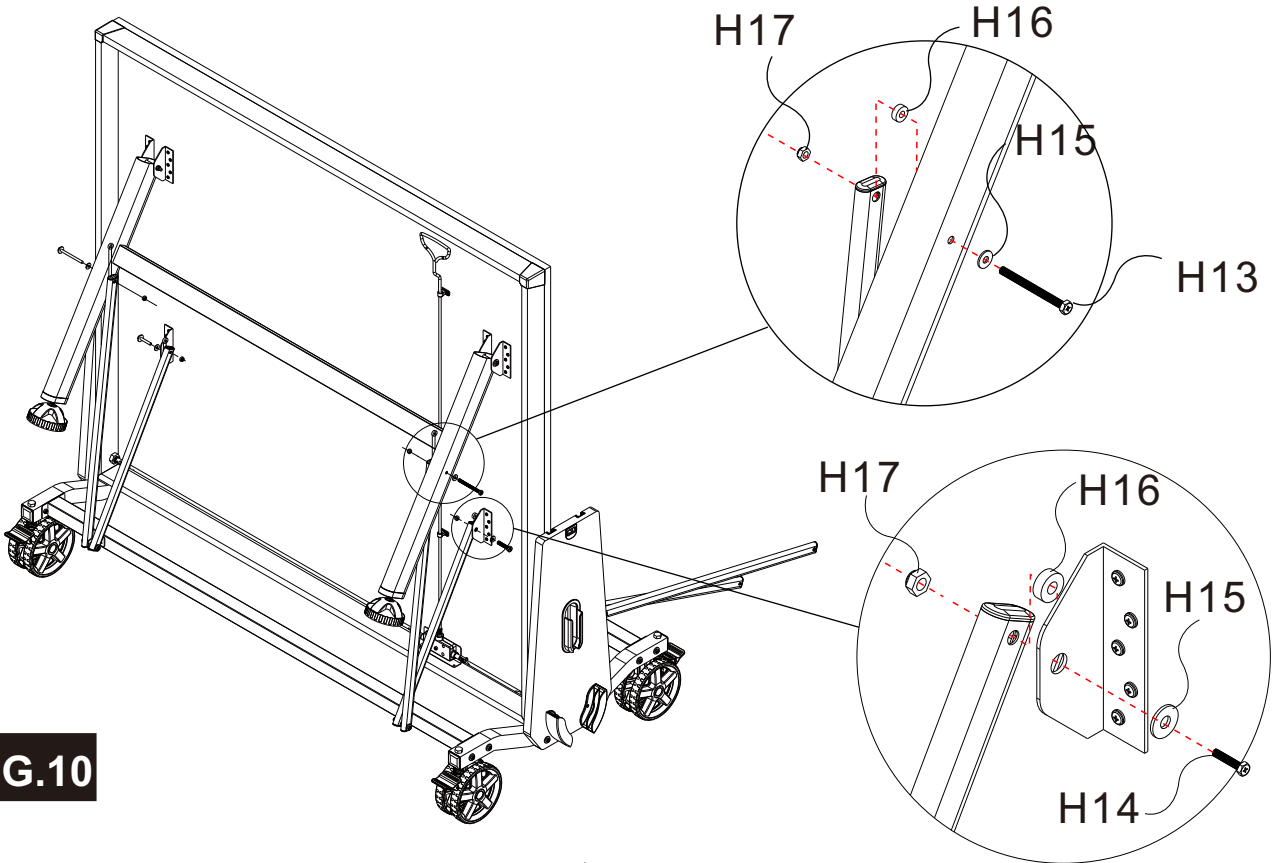
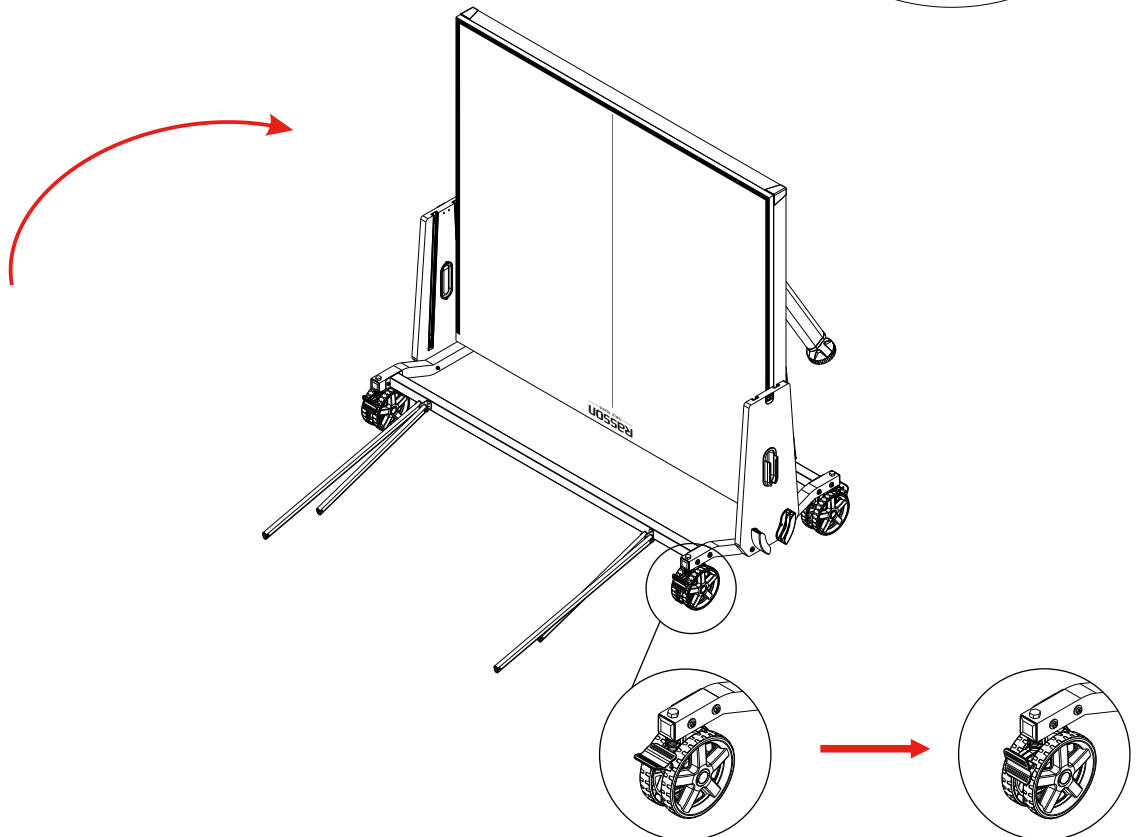
**3 people  
3 personas  
3 personnes**





**FIG.9**

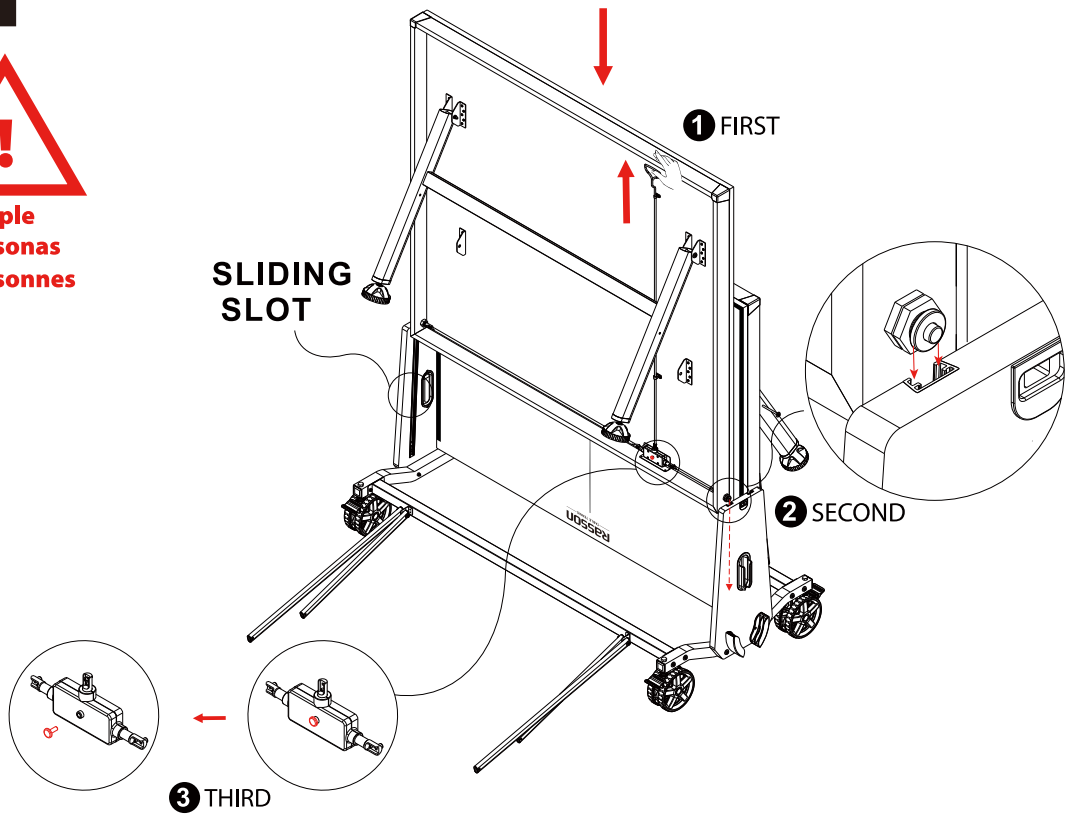
	1/4"x3"	2 PCS		1/4" ID.	4 PCS		1/4" ID.	4 PCS
	1/4"x1-3/8"	2 PCS		1/4" ID.	4 PCS			
T1		T2/T3						

**FIG.10**

**FIG.11**

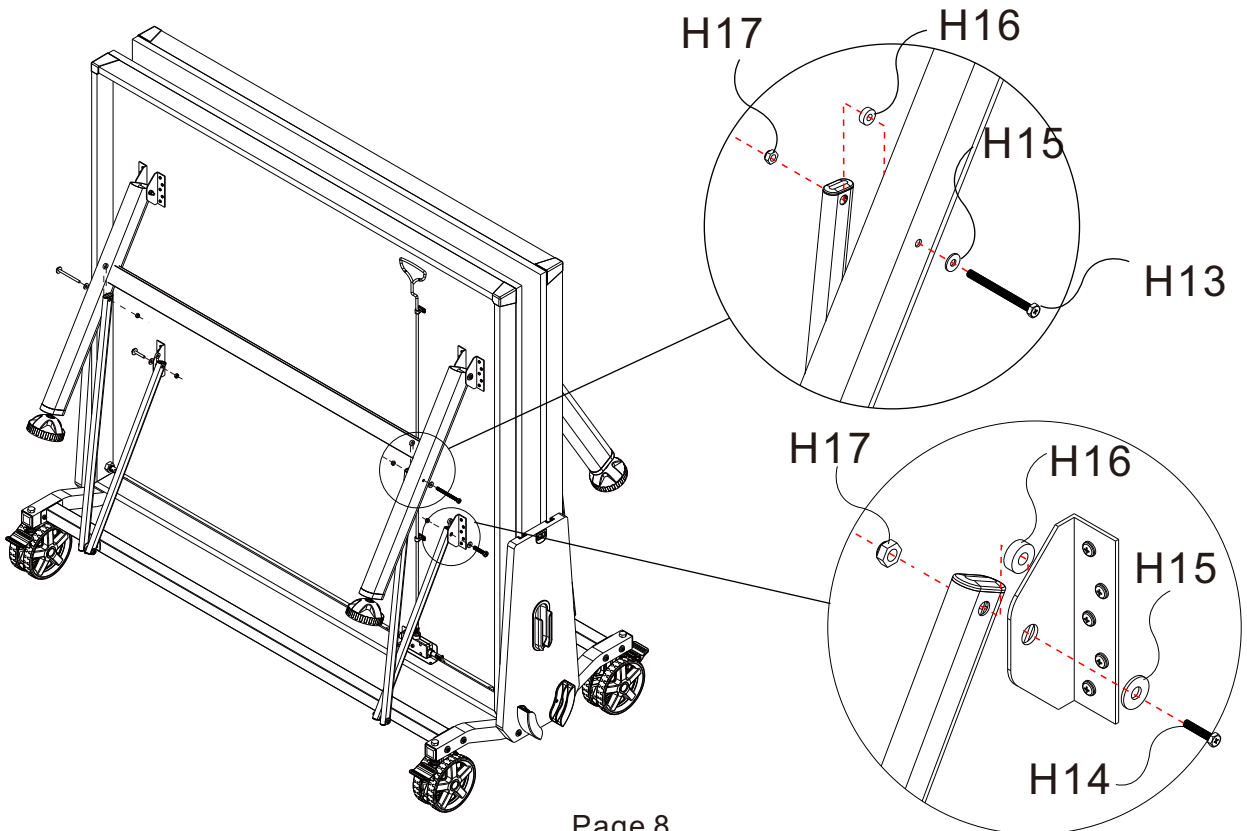


3 people  
3 personas  
3 personnes



**FIG.12**

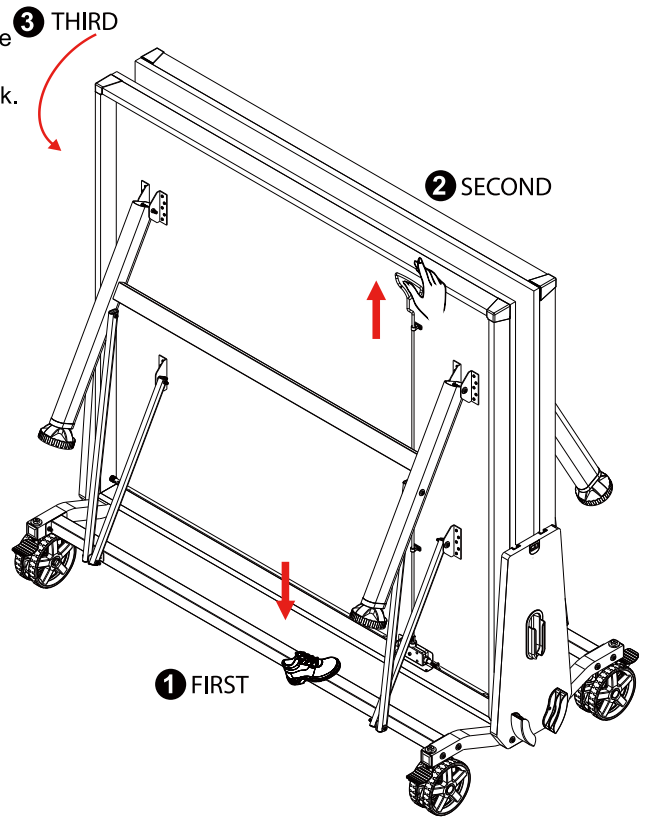
	1/4"x3"	2 PCS		1/4" ID.	4 PCS		1/4" ID.	4 PCS
	1/4"x1-3/8"	2 PCS		1/4" ID.	4 PCS			
T1		T2/T3						



**FIG.13**

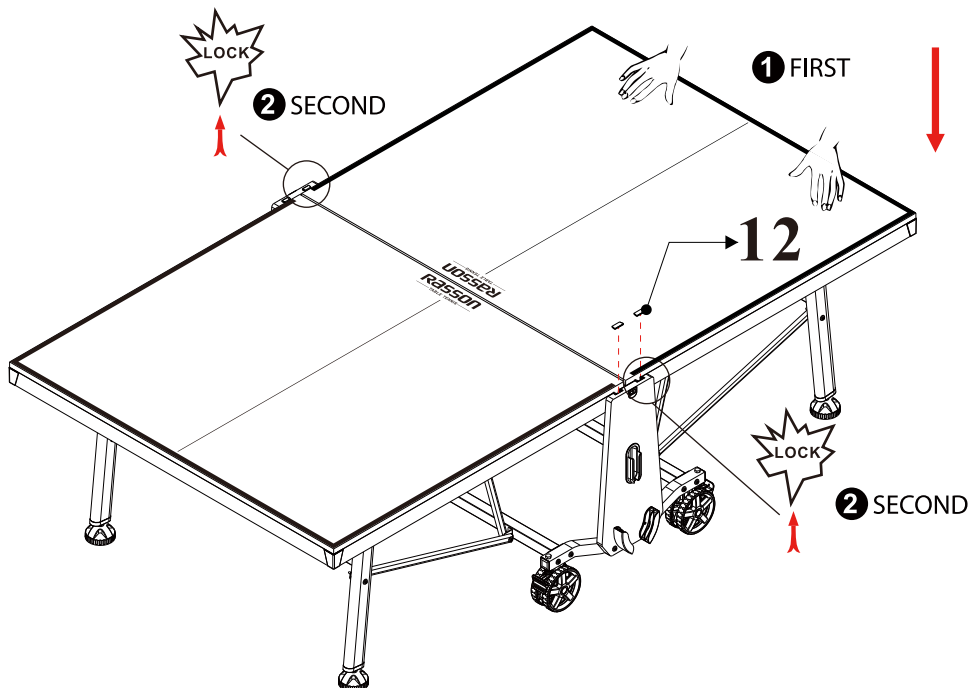
**Note:**

1. Step on the undercarriage (the horizontal bar attached to the wheels). Grip the tabletop with your left hand.
2. Pull up on the handle with your right hand to release the lock.
3. **Unfold the table into the play position. Make sure to lower each table half slowly. Do not drop to avoid damage.**



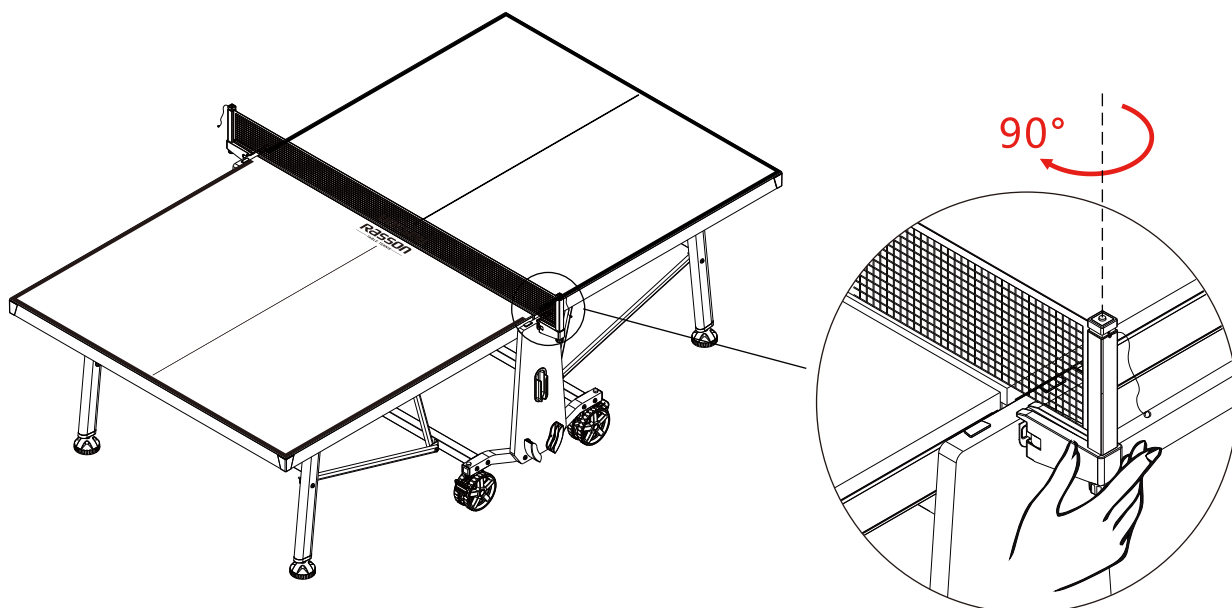
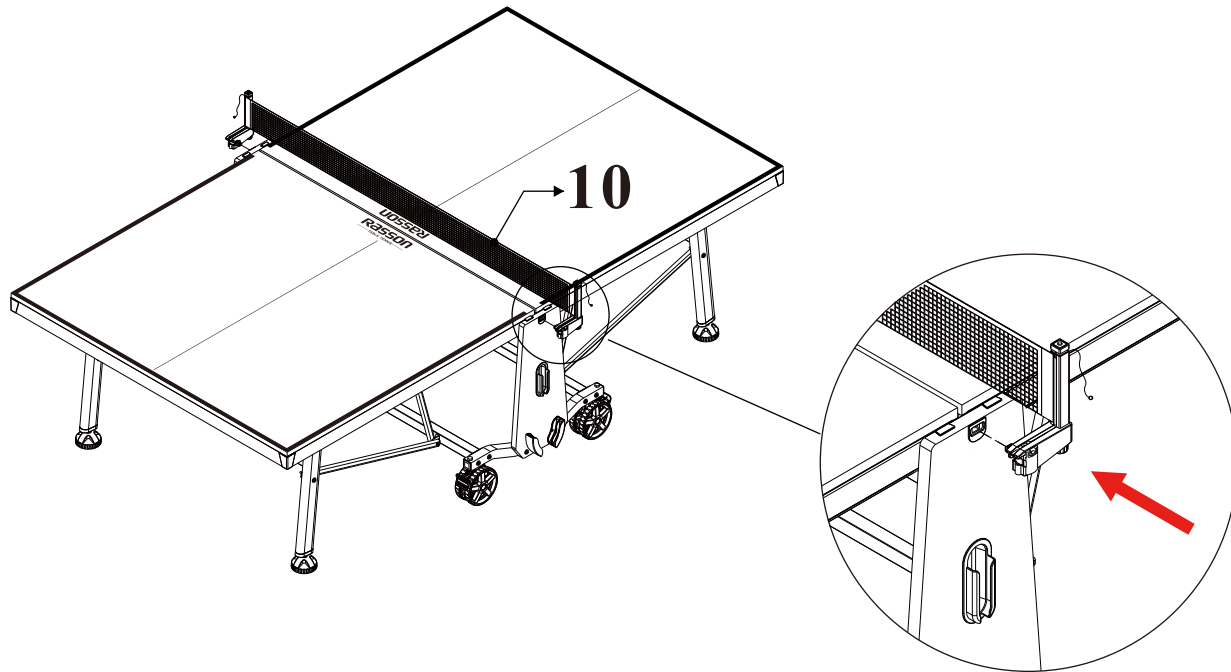
**FIG.14**

- Note:** Be sure that the table is in a fully locked position. (You will hear a click sound when the table is fully locked.)  
Install part 12 as shown in the illustration.



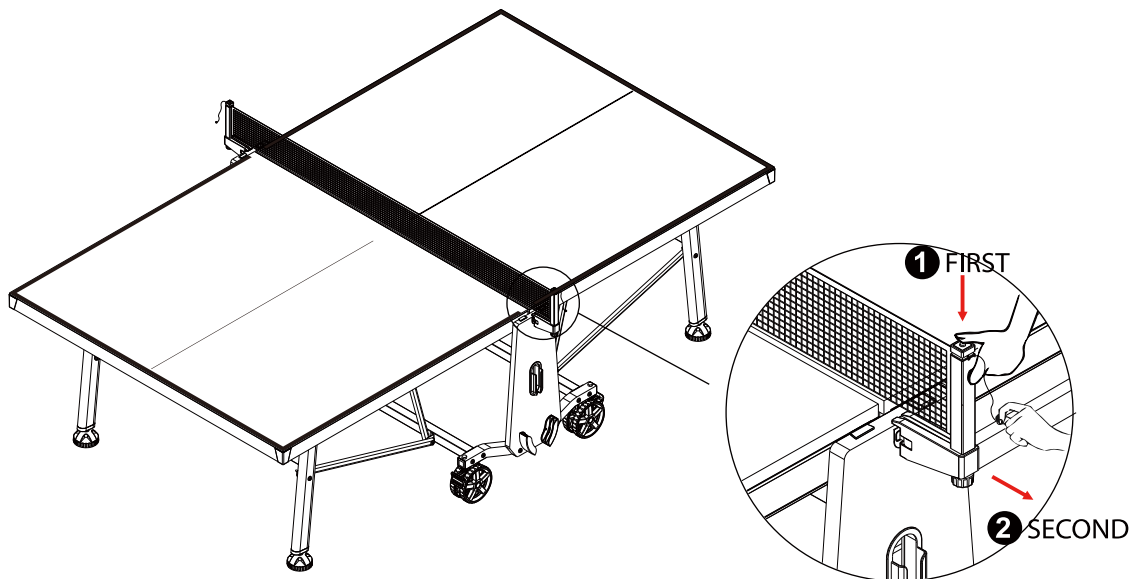
**FIG.15**

- Note:**
1. Insert the net set on the left side into the hole of the undercarriage. Fold the net set 90 degrees to loosen the net rope.
  2. Insert the net set on the right side into the hole of the undercarriage
  3. Unfold the net set on the left side back to the original position.



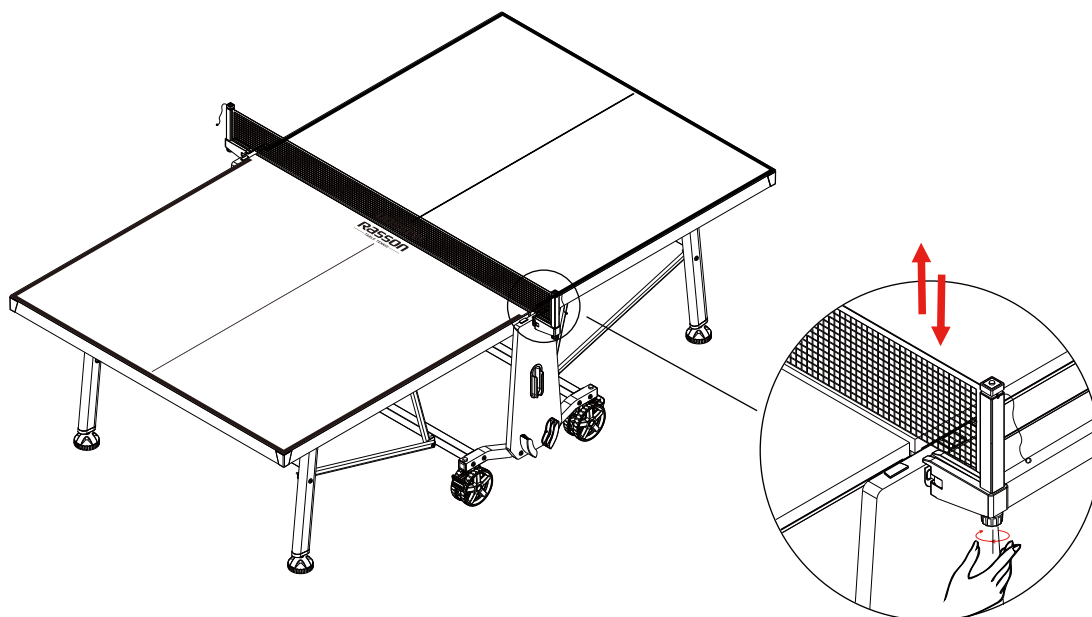
**FIG.16**

**Note:** Push and hold the button on the net post, use the other hand to pull the net string, and tighten the net. Release the button on the net post to lock in place.



**FIG.17**

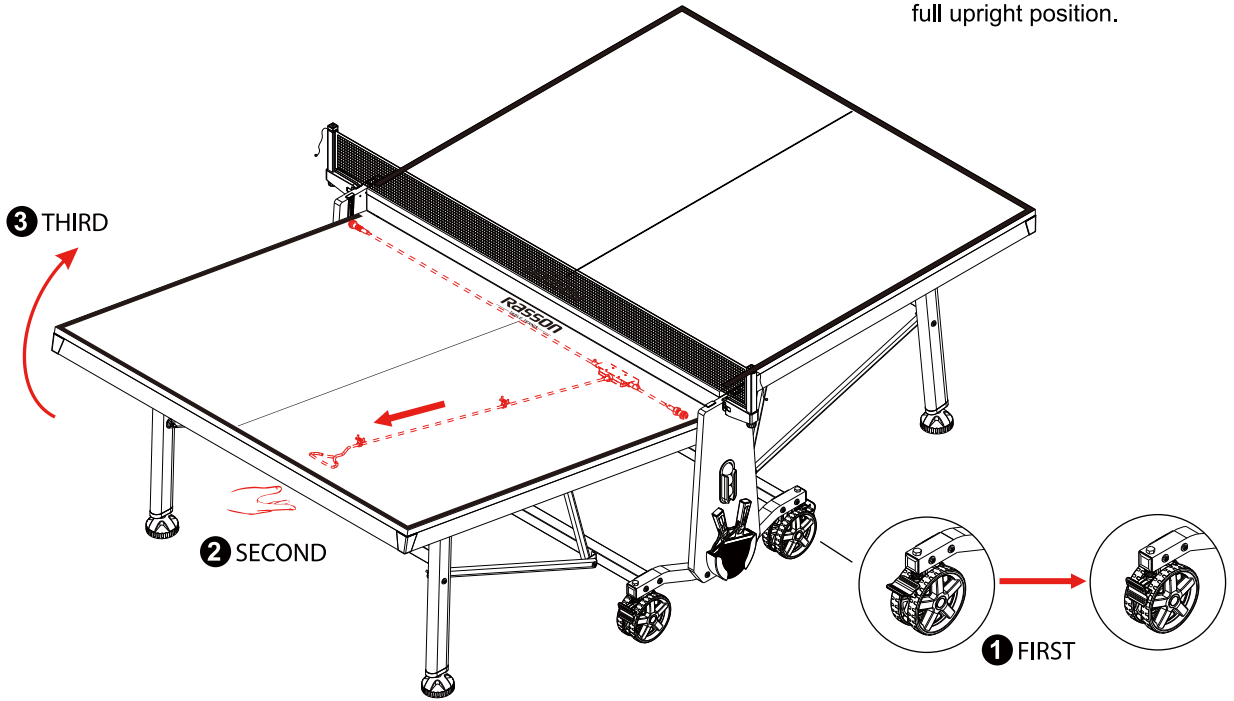
**Note:** Adjust the height of the net by rotating the wheel at the bottom of the net set.



**FIG.18**

**Note:**

1. Lock the casters (wheels).
2. Pull and hold the red handle underneath the table to release the lock.
3. Lift the table up until it is in the full upright position.



**FINISH**

