

# **Инструкция**

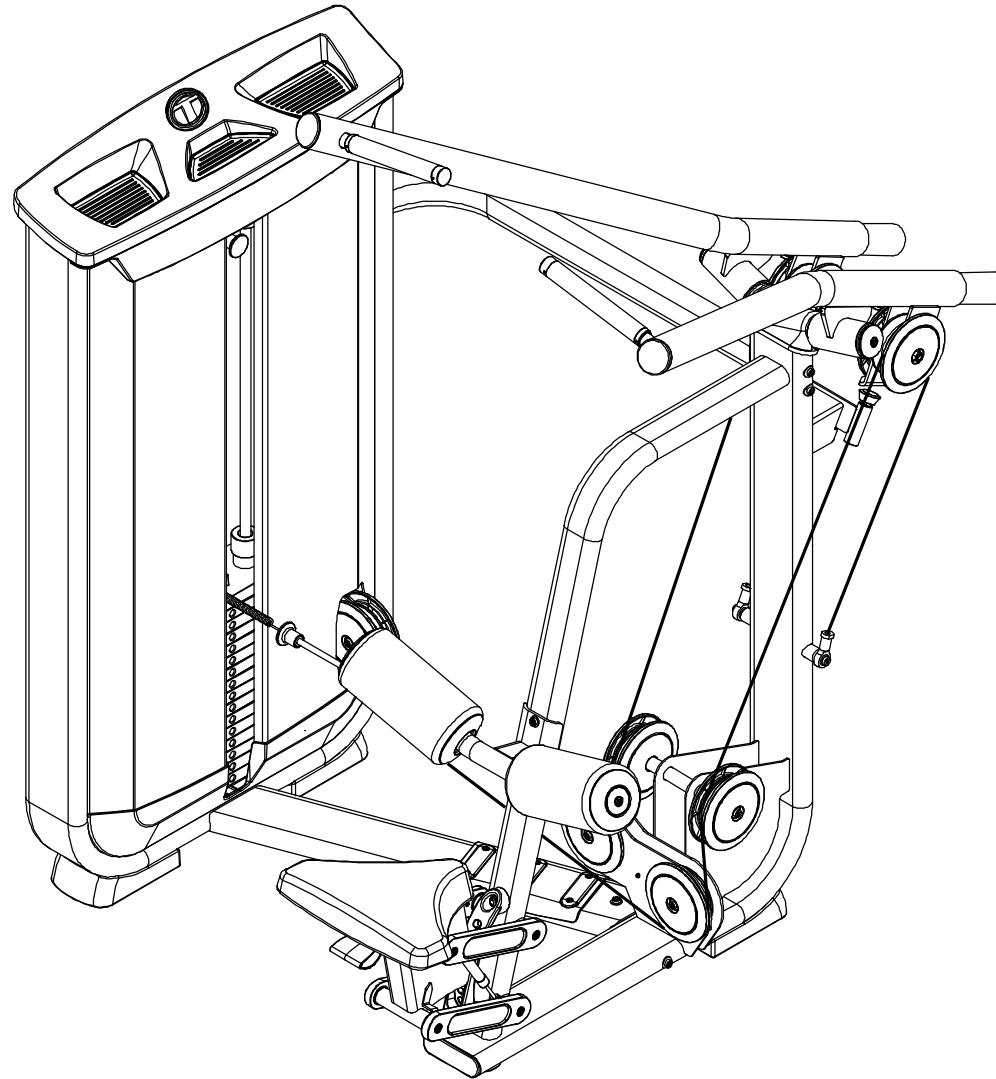
## **Тяга верхнего блока Inotec NL3**

Полезные ссылки:

[Тяга верхнего блока Inotec NL3 - смотреть на сайте](#)

[Тяга верхнего блока Inotec NL3 - читать отзывы](#)

# ***LAT PULL DOWN***

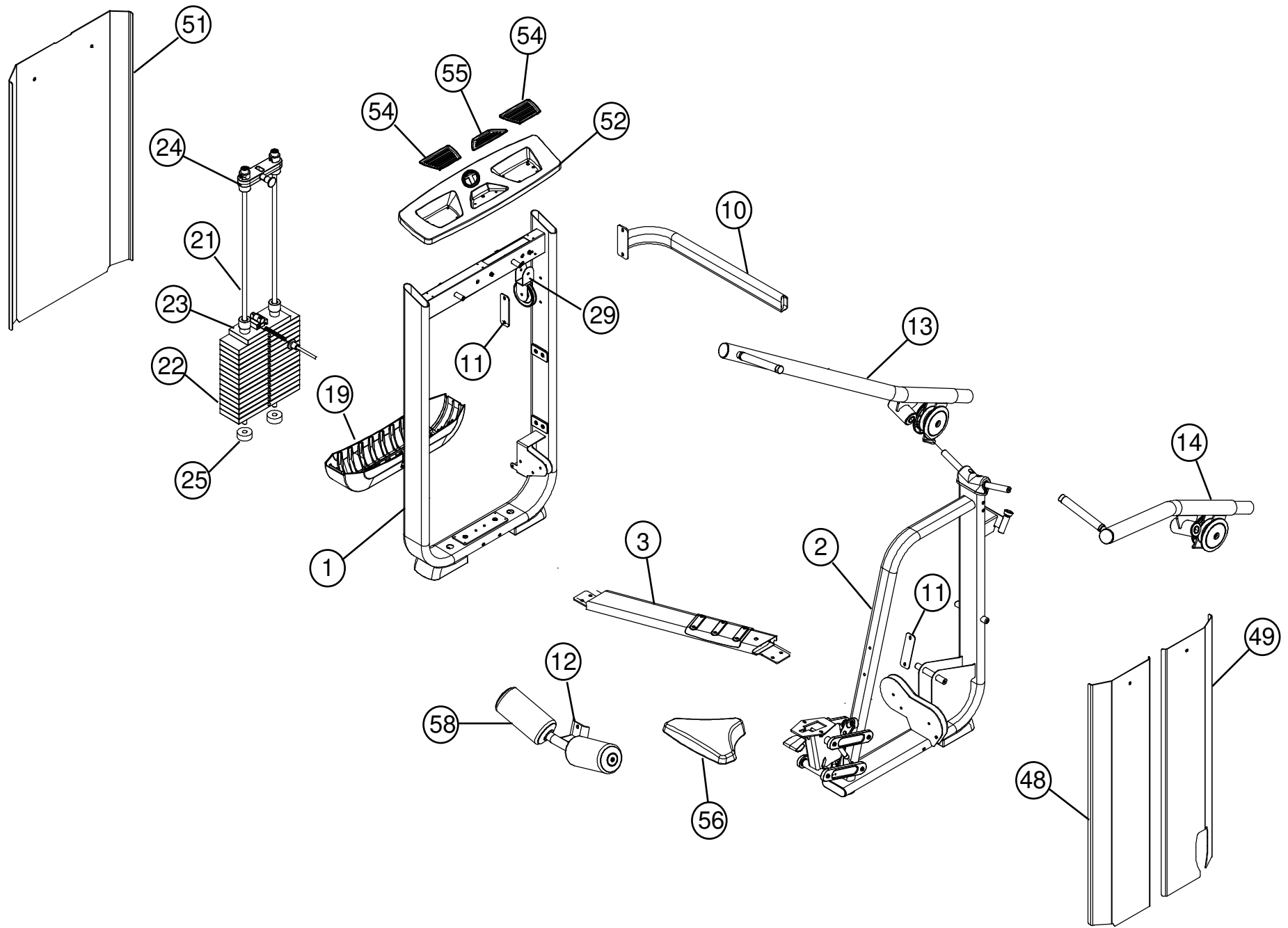


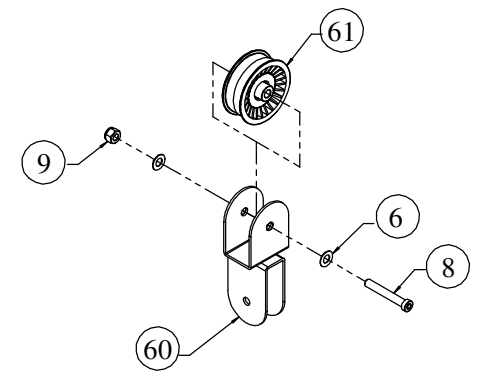
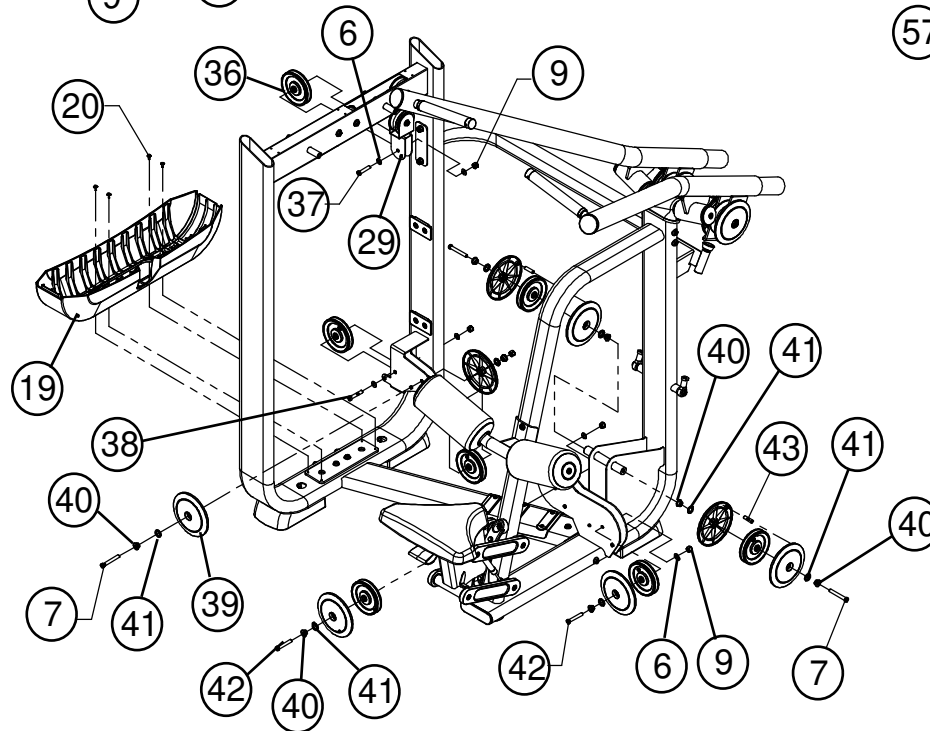
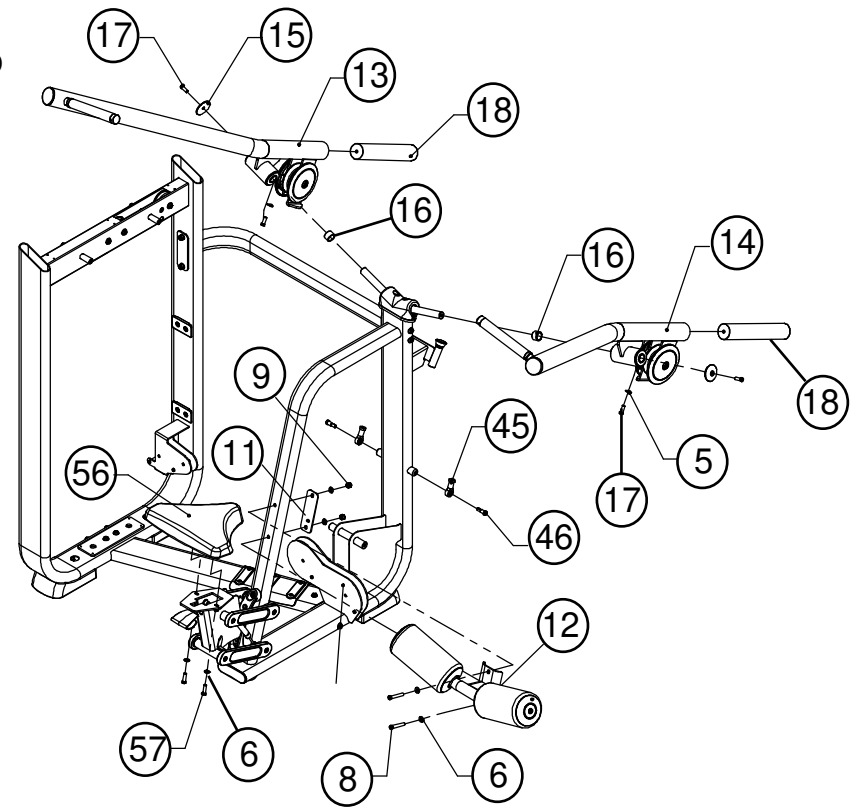
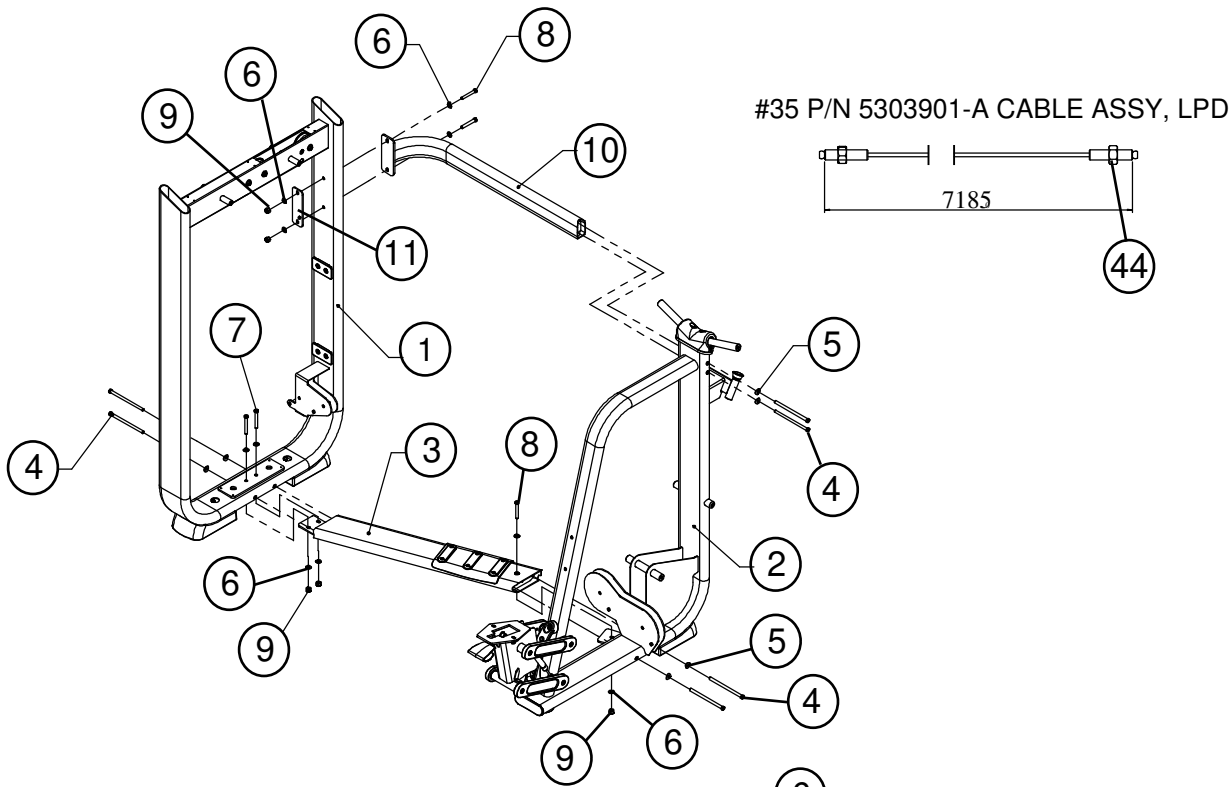
# PARTS LIST

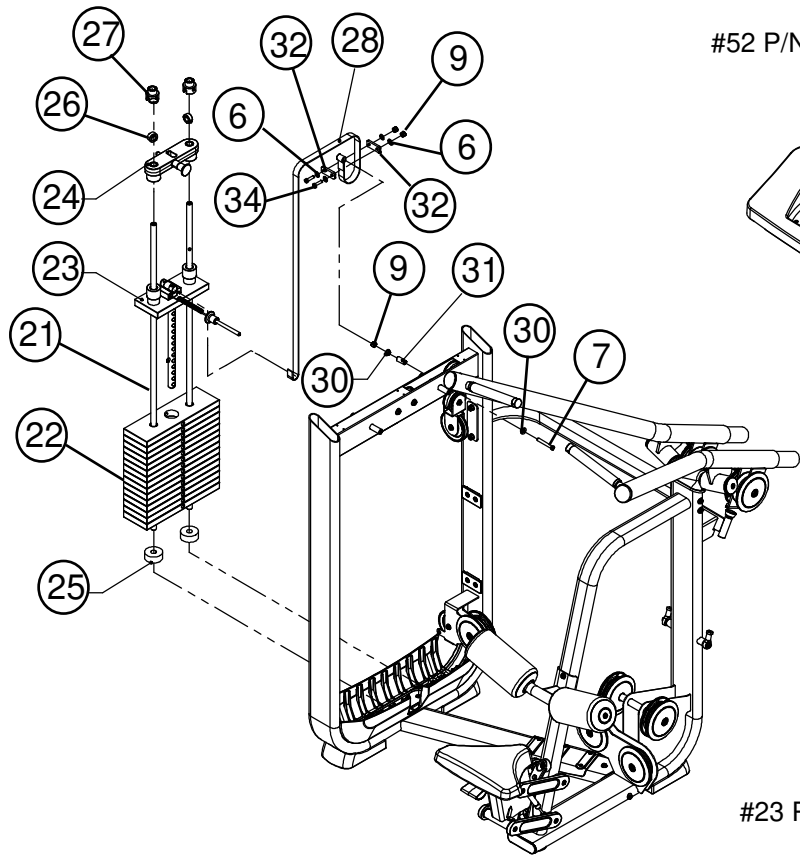
ITEM	QTY	PART NO	Paraong P/N	DESCRIPTION	CHINESE DESCRIPTION
1	1	52208PA-B	P20-3022	PTD ASSY, LPD TOWER	主架固定管組
2	1	5298501-D	P20-3028	ASSY, LPD MAIN FRAME	固定立管組
3	1	52219PA-A	P20-3024	PTD ASSY, LPD LOWER FRAME CONNECTOR	連接管組
4	6	2006424		BOLT, 3/8-16 X 6-1/4" (159mm) SOCKET HEAD W/NP	六角承窩螺絲 3/8"x 6-1/4"L 點耐落
5	8	2003001		WASHER, 3/8" SAE CURVED	弧形華司
6	30	2001101		WASHER, FLAT 3/8 SAE ST ZN	平面華司20X10.5X1.0T
7	6	2005410		BOLT, 3/8-16 X 2-3/4" (70mm) SOCKET HEAD	六角承窩螺絲 3/8"x 2-3/4"L
8	5	2005409		BOLT, 3/8-16 X 2-1/2" (64mm) SOCKET HEAD	六角承窩螺絲 3/8"x 2-1/2"L
9	15	2001201		NUT, 3/8-16 LK ST ZN	尼龍螺帽3/8"-16x11T
10	1	5219901-A	P20-3024	WLDMT, LPD UPPER CONNECTOR	連接管組
11	2	5221401-A	P02-4251	PLATE, 50 X 155 X 4MM	固定片
12	1	5218701-A	P04-2820	WLDMT, KNEE HOLD DOWN	泡棉管組
13	1	52201PA-A	P20-3026	PTD ASSY, LPD PULL ARM LFT	左高拉管組
14	1	52202PA-A	P20-3025	PTD ASSY, LPD PULL ARM RHT	右高拉管組
15	2	5215901	P05-0979	CAP, AL END 6205Z BEARING HOUSING	鋁蓋
16	2	5215101-A	P03-1947	SPACER, 25.5 ID X 31.8 OD X 20	套管
17	6	2006403		BOLT, 3/8-16 X 1" (25mm) SOCKET HEAD W/NP	六角承窩螺絲 3/8"x 1"L 點耐落
18	2	5222501-B	P03-1945	COUNTER WEIGHT, 325 LONG DIPPED	配重鐵心
19	1	5212601	P06-2151	COVER, TOWER BASE	塑膠底座
20	12	2004802		SCREW, 10-32 X 1/2" (12MM) PAN HEAD W/NP	大扁頭十字螺絲#10-32x1/2"L 點耐落
21	2	5209701	P01-3735	GUIDE ROD, 19 DIA X 1315	升降桿
22	15	52101PA	P10-0778	PTD ASSY, 15 LB WEIGHT PLATE	選擇片
23	1	5250201-C	P20-2989	ASSY, 15 PLATE HEAD PLATE	上片組
24	1	5218201-D	P20-2988	ASSY, 7.5LB INC. WEIGHT	配重塊組
25	2	5098201	P06-0034	CUSHION, WEIGHT STACK	橡膠墊
26	2	5095301	A05-0212	SHAFT COLLAR, GUIDE ROD	固定軸套
27	2	5209801	P06-2144	BUSHING, GUIDE ROD RETAINER	升降桿護套
28	1	5224601-A	P17-0009	BELT, TOWER	滑輪皮帶
29	1	52245PA-A	P20-2991	PTD ASSY, BELT - 4.5 PULLEYS 90 DEG	輪座片組
30	2	5248501-A	P08-0121	SPACER, FLNG 16.2 X 10.1 X 6	T帽套管
31	1	5248401-A	P03-2026	SPACER, 16 OD X 10.1 ID X 36	套管
32	2	5208201-A	P02-4266	PLATE, BELT CLAMP	固定片
33	1	5297701		LABEL, WEIGHT STACK 15LBS	磅數表
34	2	2005404		BOLT, 3/8-16 X 1-1/4" (32mm) SOCKET HEAD	六角承窩螺絲 3/8"x 1-1/4"L
35	1	5303901-A	P13-0337	CABLE ASSY, LPD	連接鋼索
36	7	5094501-B	P06-0961	PULLEY, 4-1/2 OD X 25	大滑輪
37	1	2005406		BOLT, 3/8-16 X 1-3/4" (45mm) SOCKET HEAD	六角承窩螺絲 3/8"x 1-3/4"L
38	1	2005407		BOLT, 3/8-16 X 2" (51mm) SOCKET HEAD	六角承窩螺絲 3/8"x 2"L
39	8	5214601-C	P06-2135	COVER, PULLEY 152MM DIA	護蓋
40	8	5216301-A	P08-0165	SPACER, FLNG 16.2 X 10.2 X 7.5	T帽套管

41	8	5217601-A	P06-2208	WASHER, RUBBER 19 ID X 25 OD X 3	墊片
42	2	2005408		BOLT, 3/8-16 X 2-1/4" (57mm) SOCKET HEAD	六角承窩螺絲 3/8"x 2-1/4"L
43	2	5224101-A	P03-2021	PIN, 10 DIA X 35	鐵心
44	2	2005701		NUT, M12 JAM ST ZN	M12 螺帽
45	2	5216401-A	P05-0977	ROD END, M-12 FEMALE	關節軸承
46	2	2007001	P05-1045	BOLT, 11.9 DIA X 16.5MM SHOULDER W/NP	限位螺絲
47	1	5212801-C	P10-0784	SHROUD, TOWER FRONT - RH	右前護網
48	1	5212901-B	P10-0785	SHROUD, TOWER FRONT - LH	左前護網
49	4	5213201	P06-2146	MOUNT, 19MM ID STANDOFF	橡膠套
50	4	2005405		BOLT, 3/8-16 X 1-1/2" (38mm) SOCKET HEAD	六角承窩螺絲 3/8"x 1-1/2"L
51	1	5297001	P10-0783	ASSY, REAR SHROUD	后護網
52	1	5294601	P20-2990	ASSY, TOWER CAP	塑膠蓋組
53	1	5295601-A		ASSY, LPD PLACARD	塑膠蓋含運動看板
54	2	5244001	P06-2155	TRAY, TOWER CAP - LARGE	橡膠墊
55	1	5244101	P06-2156	TRAY, TOWER CAP - SMALL	橡膠墊
56	1	5246201	P07-0434	PAD, SMALL SEAT	座墊
57	2	2006404		BOLT, 3/8-16 X 1-1/4" (32mm) SOCKET HEAD W/NP	六角承窩螺絲 3/8"x 1-1/4"L 點耐落
58	2	5246701-D	P06-2169	PAD, SHORT ROLLER	泡棉
59	2	5222201-A	P05-0978	CAP, AL ROLLER PAD	鋁華司
60	1	5224501-A	P04-2814	BELT PULLEY BRACKET	輪座片焊接件
61	1	5203801-A	A06-0231	BELT PULLEY	平皮帶滑輪
62	8			AVK INSERT	拉帽
63	8	2006503		BOLT, 1/4-20 X 3/4" (19mm) SOCKET HEAD W/NP	六角承窩螺絲 1/4"x 3/4"L 點耐落
64	8			WASHER, FLAT 12 X 5.2 X1.0T	平面華司12X5.2X1.0T
65	8			WASHER, FLAT 16 X 6.5 X 1.0T	平面華司16X6.5X1.0T
66	2			BOLT, 3/8-16 X 3-1/2" (89mm) SOCKET HEAD	六角承窩螺絲 3/8"x 3-1/2"L
67	1	5220801-A	P04-2812	LPD TOWER WELDMENT	主架固定管
68	1	5223801-B	P04-2813	PLATE, LIMIT	限位片組
69	4	5213001-A	P06-2143	CUSHION, SHROUD HOLDER	緩衝墊
70	2	5293901-B	P06-2254	FOOT, TOWER	腳墊
71	1	52186PA-B	P20-3023	SUB-ASSY, LPD MAIN FRAME	固定立管組
72	1			NUT, 3/8-16 X 7.2T, LK ST ZN	尼龍螺帽3/8"-16x7.2T
73	1	5218601-B	P04-2815	MAIN FRAME WELDMENT	固定定管焊接件
74	1	5205501-A	P05-0962	ADJUSTMENT, SEAT	調整塊
75	1		P06-0134	PLUG	扣塞
76	1	5205401-A	P06-2129	END CAP, FLATOVAL	橢圓管塞
77	1	5214501-A	P06-2141	COVER, PIVOT	固定座
78	2	5205601-A	P06-2255	ADJUSTER, SP PRESS ARM	緩衝墊
79	1	5294101-A	P06-2256	LEVELER	腳墊
80	4		P08-0048	BUSHING, 25.55X19.05X16 FLANGE BRONZE	含油軸承
81	2			NUT, 1/4-20 X 8.0T, LK ST ZN	尼龍螺帽 1/4"-20x8.0T
82	2	5206701-A	P02-4250	PLATE, SEAT HANDLE	固定片
83	1	5280301-A	P02-4253	INDICATOR, SEAT ADJUSTMENT	標示片

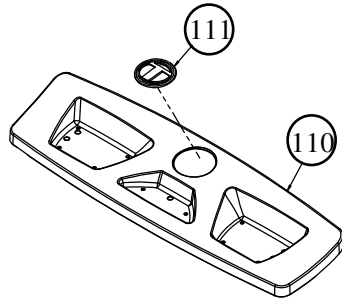
84	2	5205301-A	P03-1949	SHAFT, SEAT ADJUSTMENT	鐵心
85	1		P05-0011	SPRING	彈簧
86	1		P05-0438	NUT, JAM	調整螺帽
87	1	5206601-B	P05-0975	PIN	插軸桿
88	2	5246401-A	P05-0976	GAS CYLINDER	氣壓缸
89	2	20039-A	P05-0986	SHOULDER BOLT	限位螺絲
90	1	5218501-C	P06-2138	KNOB, PLASTIC, SEAT	手柄
91	4	5246301-D	P06-2154	PLATE, SEAT	連接片
92	1	52058PA-A	P20-2992	ASSY, SEAT HOUSING	座墊固定片組
93	1	52062PA-A	P20-2993	ASSY, SEAT HANDLE	連接片組
94	1	5206201-A	P04-2827	SEAT HANDLE WELDMENT	連接片焊接件
95	2		P08-0156	BUSHING	含油軸承
96	1	5221901-A	P04-2818	LOWER FRAME CONNECTOR	連接管組
97	1	5226901-A	P06-2136	TREAD COVER	腳墊
98	1	52180PA-C	P10-0780	7.5LB INC. WEIGHT	配重塊
99	1	5218101-A	P05-0991	PIN, 7.5LB INC. WEIGHT	插軸桿
100	1	P46609-101	A05-1079	SPRING	壓縮彈簧
101	1	5244901-C	P06-2132	KNOB, 7.5LB INC. WEIGHT	插銷頭
102	1	52102PA-B	P10-0777	15LB HEAD PLATE	上片組
103	1	5210901-A	P10-0781	SELECTOR STEM	選擇桿
104	1	5303701-A	P02-4395	LANYARD CLIP	卡片
105	1	5211301-A	P03-1946	BELT CLAMP	鐵心
106	1		P05-0187	CLEVIS PIN	彈簧軸
107	1	5211201-B	P06-2134	BELT CLAMP HOUSING	塑膠塊
108	2	5218401-B	P06-2145	BUMPER	橡膠墊
109	1	5245301	P11-0183	WEIGHT STACK SELECTOR PIN	選擇桿插軸組
110	1	5243801-C	P06-2152	TOWER CAP	塑膠蓋
111	1		P10-0098	BADGE	銘牌
112	1	5205801-A	P04-2819	SEAT HOUSING WELDMENT	座墊固定片焊接件
113	1	52187PA-A	P20-3027	ASSY, KNEE HOLD DOWN	泡棉管組
114	2	5084101-A	P06-0584	PULLEY, 4-1/2 OD X 1-1/2 V-GROOVE	大V滑輪
115	8			SET SCREW M4x3mmL	止付螺絲
116	2			BOLT, 3/8-16 X 3-1/4" (83mm) SOCKET HEAD	六角承窩螺絲 3/8"x 3-1/4"L
117	2	5221301-A	P06-2209	HAND GRIP	把手套
118	2	5095601-B	P05-1002	COLLAR	固定軸套
119	4		P05-0204	FLANGE BEARING	法蘭培林
120	1	5220201-A	P04-2821	LEFT PULL ARM WELDMENT	左高拉管
121	2	5226801-A	P06-2130	ROUND ENDCAP	圓管內塞
122	2	5095701-B	P05-1001	ALUMINUM CAP	鋁蓋
123	2	5244201-A	P03-2023	SPACER	鐵心
124	1	5220101-A	P04-2822	RIGHT PULL ARM WELDMENT	右高拉管
125	2			BOLT, 3/8-16 X 1-3/4" (45mm) SOCKET HEAD W/NP	六角承窩螺絲 3/8"x 1 3/4"L 點耐落



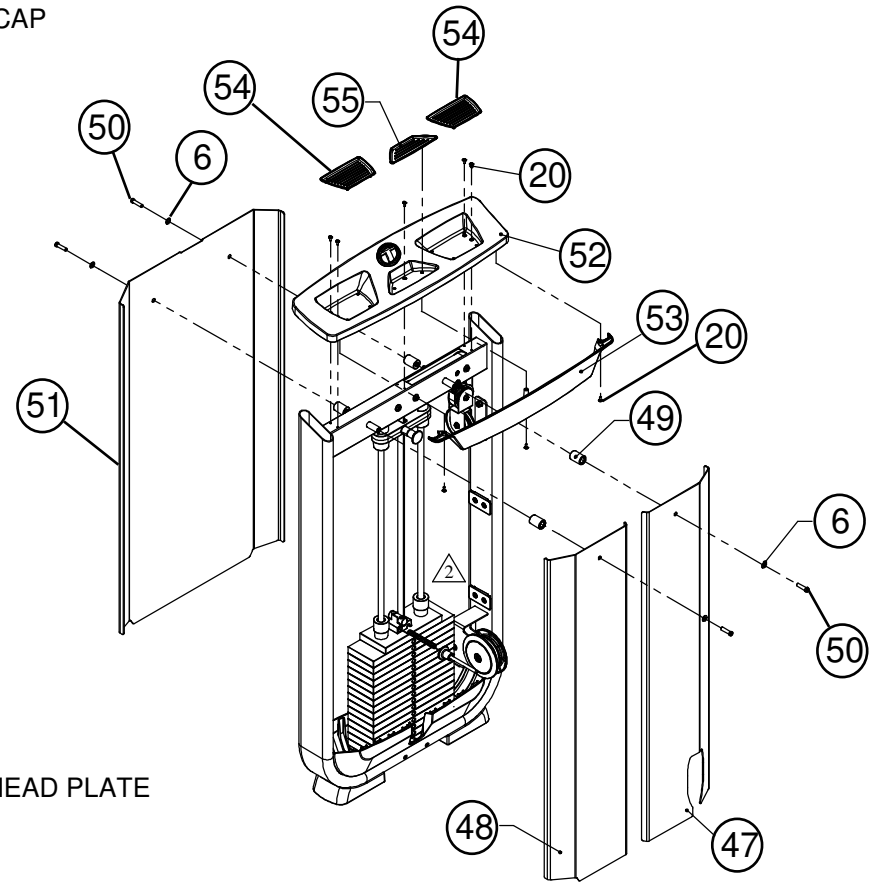




#52 P/N 5294601-A ASSY, TOWER CAP

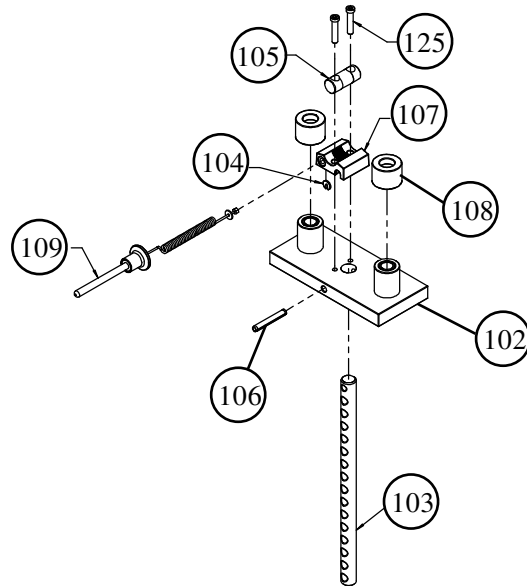
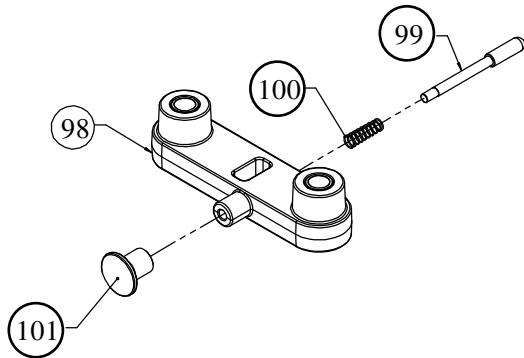


#23 P/N 5250201-C ASSY, 15LB HEAD PLATE



#113 P/N 52187PA-A ASSY, KNEE HOLD DOWN

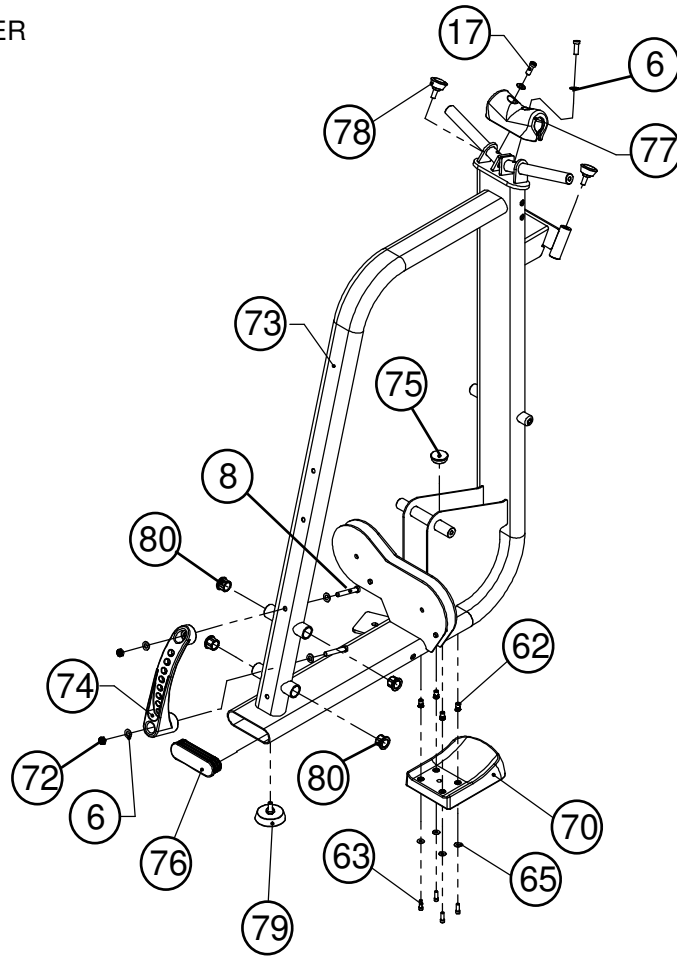
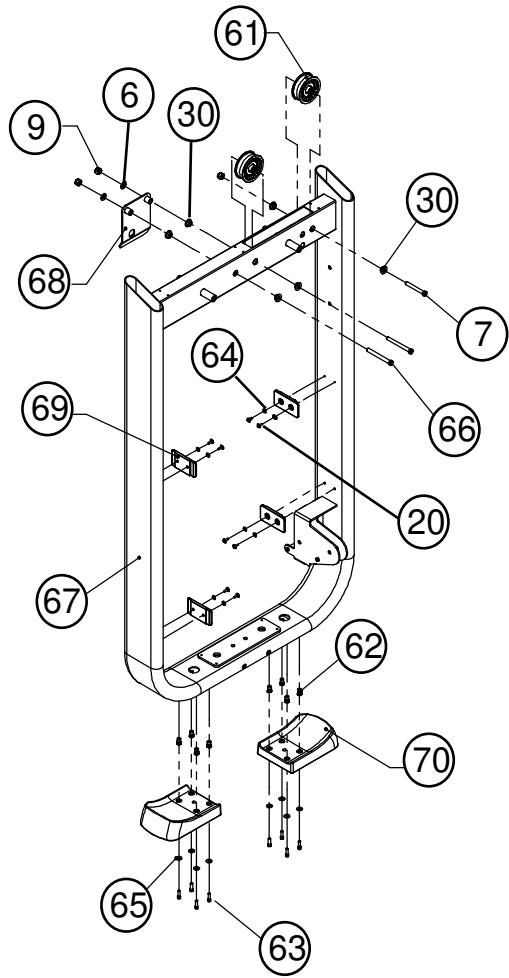
#24 P/N 5218201-D ASSY, 7.5LB INC. WEIGHT



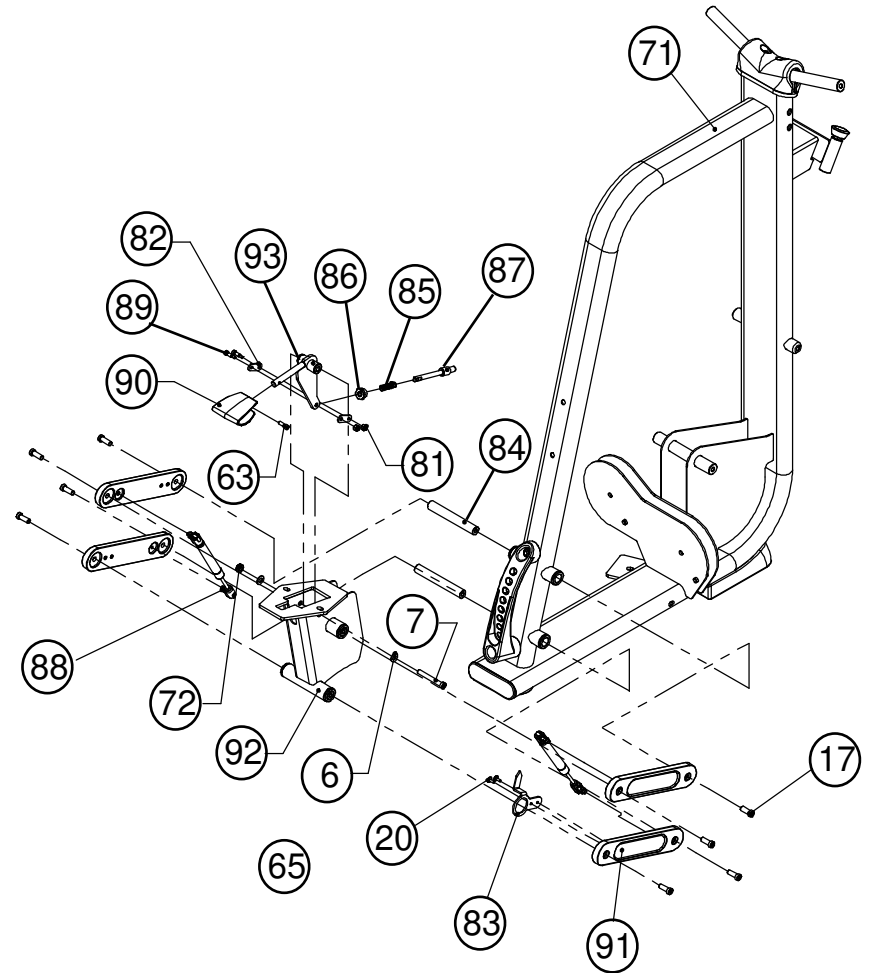


#71 P/N 52186PA-B SUB ASSY, LPD MAIN FRAME

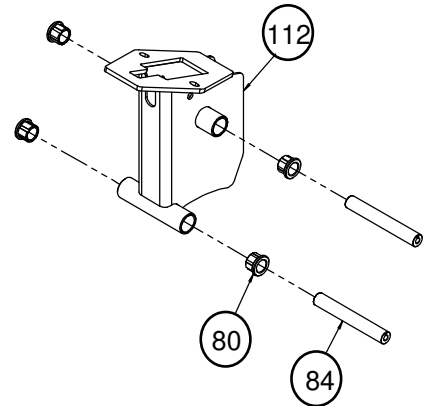
#1 P/N 52208PA-B PTD ASSY, LPD TOWER



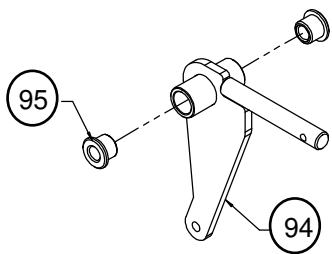
#2 P/N 5298501-D ASSY, LPD MAIN FRAME



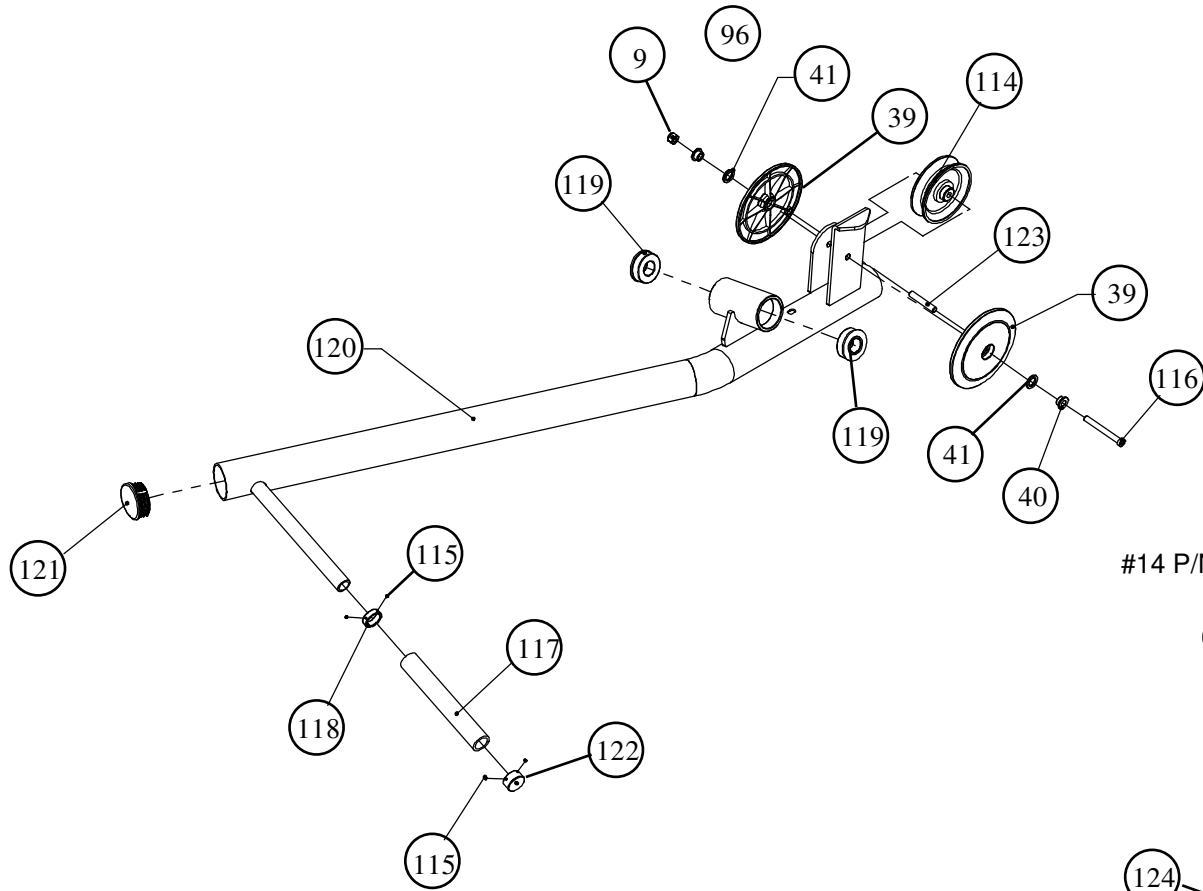
#92 P/N 52058PA-A SEAT HOUSING ASSY



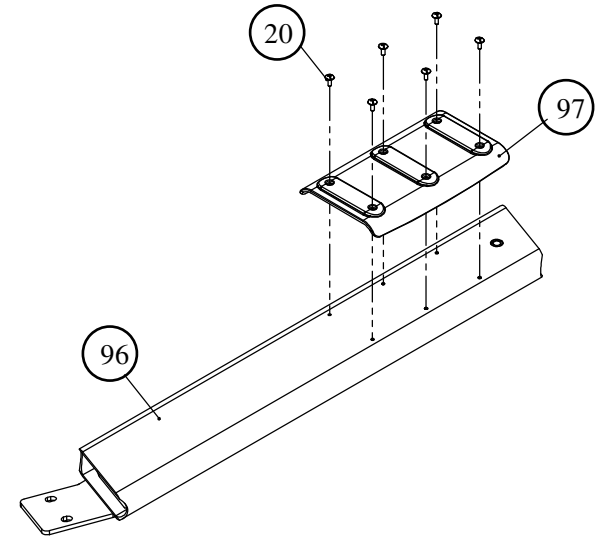
#93 P/N 52062PA-A SEAT HANDLE ASSY



#13 P/N 52201PA-A PTD ASSY, LPD PULL ARM LEFT



#3 P/N 52219PA-A PTD ASSY, LPD LOWER FRAME CONNECTOR



#14 P/N 52202PA-A PTD ASSY, LPD PULL ARM RIGHT

