

Инструкция

Тренажер Пек Дек/задняя дельта Impulse IF8122-200

Полезные ссылки:

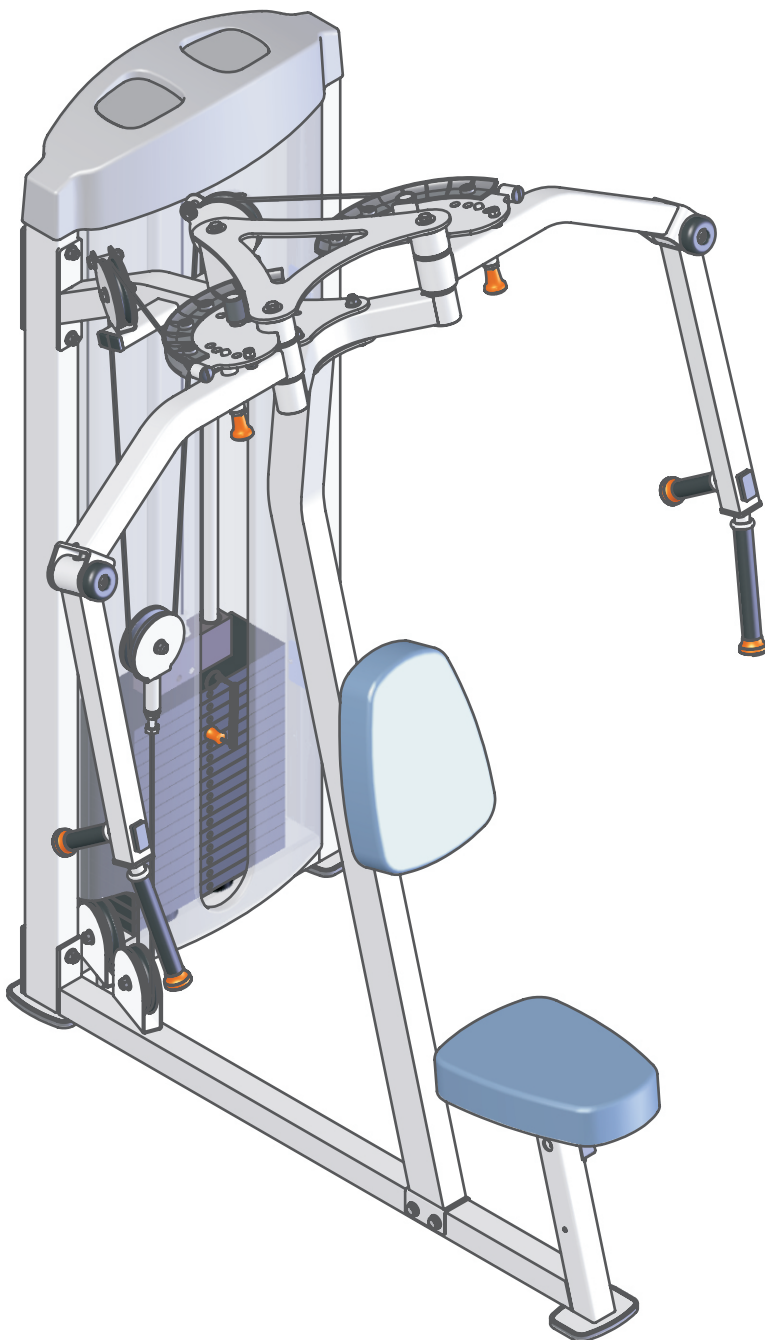
[Тренажер Пек Дек/задняя дельта Impulse IF8122-200 - смотреть на сайте](#)

[Тренажер Пек Дек/задняя дельта Impulse IF8122-200 - читать отзывы](#)

IF8122

PEC FLY/REAR DELT

OWNER'S MANUAL



! CAUTION

Read all precautions
and instructions in this manual
before using this equipment

! CAUTION

Read all precautions and instructions in this manual before using this equipment.

Table Of Contents

Important Safety Instructions-----	3
Instructions-----	4
Parts List-----	5
Exploded View -----	8
Measurement Guide-----	9
Assembly Instructions-----	10
Assembly-----	11
Exercise Instructions-----	20
Maintenance Schedule-----	21
General Maintenance Information-----	22
Weight Training Tips-----	23
Specifications-----	23

Important Safety Instructions

Before beginning any fitness program, you should obtain a complete physical examination from your physician. When using exercise equipment, basic precautions should always be taken, including the following:

- * Read all instructions before using the equipment. These instructions are written to ensure your safety and to protect the unit.
- * Do not allow children on or near the equipment.
- * Use the equipment only for its intended purpose as described in this guide. Do not use accessory attachments that are not recommended by the manufacturer: such attachments might cause injuries.
- * Wear proper exercise clothing and shoes for your workout----no loose clothing.
- * Be careful when getting on or off the equipment.
- * Do not overexert yourself or work to exhaustion.
- * If you feel any pain or abnormal symptoms, stop your workout immediately and consult your physician.
- * Never operate the unit when it has been dropped or damaged.
- * Never drop or insert anything into any opening in the equipment.
- * Always check the unit and its cables before each use. Make sure that all fasteners and cables are secure and in good working condition.
- * Frayed or worn cables can be dangerous and may cause injury. Periodically check these cables for any indication of wear.
- * Keep hands, limbs, loose clothing and long hair well out of the way of moving parts.
- * Do not attempt to lift more weight than you can control safely.
- * Do not use the equipment outdoors.

Personal Safety During Assembly

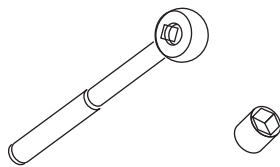
- * Read each step in the assembly instructions and follow the steps in sequence. Do not skip ahead. If you skip ahead, you may learn later that you have to disassemble components and that you may have damaged the equipment.
- * Assemble and operate the equipment on a solid, level surface. Locate the unit a few feet from walls or furniture to provide easy access. The equipment is designed for your enjoyment. By following these precautions and using common sense, you will have many safe and pleasurable hours of healthful exercise with the equipment.

Instructions

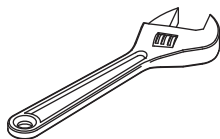
Before beginning assembly please take the time to read instructions thoroughly. Please use the various lists in this manual to make sure that all parts have been included in your shipment. When ordering, use part number and description from the lists. Use only our replacement part when servicing. Failure to do so will void your warranty and could result in personal injury.

The equipment is designed to provide the smoothest, most effective exercise motion possible. After assembly, you should check all functions to ensure correct operation. If you experience problems, first recheck the assembly instructions to locate any possible errors made during assembly. If you are unable to correct the problem, call your authorized dealer. Be sure to have your serial number and this manual when calling. When all parts have been accounted for, continue on.

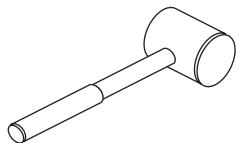
Tools Required



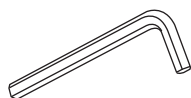
Ratchet Wrench and Socket



Adjustable Wrench



Rubber Mallet



Hex Key Wrench Set

Parts List

NOTE: SOME OF THESE PARTS MAY COME PRE-INSTALLED

Item No.	Part No.	Description	Qty
1	IF81020100	Weight Stack Frame	1
2	IF81220200	Bottom Cross Brace	1
3	IF81220300	Upright Frame	1
4	IF81220400	Top Cross Brace	1
5	IF81220500	Right Cam	1
6	IF81220600	Left Cam	1
7	IF81220700	Adjustable Cross Brace	2
8	IF81220800	Right Rotary Arm	1
9	IF81220900	left Rotary Arm	1
10	IF81221000	Seat Pad Support	1
11	IT90151200	Top Frame	1
12	AXT4S1600	Pulley Bracket	1
13	IF81221300	Cable 1	1
14	IF81221400	Cable 2	1
15	CWRVL0151800	Grip $\Phi 30 \times \Phi 22 \times 120$	2
16	IN-B7200N1100	Grip $\Phi 30 \times \Phi 22 \times 200$	2
17	83004700	Cushion	2
18	KF18606000	Plug $\varnothing 50 \times 25$	2
19	KFCR1800	Plug $\square 25.4 \times 76.2$	4
20	IF81222000	Cover	1
21	IF81222100	Pin	1
22	SG500110400	4.5" Pulley	7
23	IF81222300	Spring	1
24	IF81222400	Seat Pad	2
25	HFOPT900-04A1400	$\Phi 14.5 \times \Phi 8.6 \times 27$ Quick Release Cable Lock	2
26	IT90054000	Upright Stopper	2
27	IF81222700	Pop Pin	2
28	IF81162200	Top Shroud	1
29	IF81021800	Rear Shroud	1
30	IF81021900	Front Shroud	1
31	IF81162000	Foot Cover	3
32	IF81223200	Spacer $\Phi 27.5 \times \Phi 20.5 \times 11$	2
33	PTSHILO12800	Weight Rubber Bumper $\Phi 76.2 \times \Phi 26.9 \times 38.1$	2
34	PL90165400	Top Plate	1
35	IF81163500	Selector Pin W/Coil	1
36	IF81020800	Guide Rod $\Phi 25 \times 2.5 \times 1529$	2
37	IF81162300	Plastic Knob - Cap	4
38	IF81162400	Plastic Knob - Base	4
39	IF81223900	Mount Sleeve $\Phi 40 \times 25$	2
40	IF81162700	Plastic Plate	2
41	IN-D21103500	Pivot Axle $\Phi 25.4 \times 69$	2
42	M02502000	Bushing	4

Parts List

NOTE: SOME OF THESE PARTS MAY COME PRE-INSTALLED

Item No.	Part No.	Description	Qty
43	GB2766004-2Z	Bearing 6004-2Z	8
44	IN-D21101200	Spacer $\Phi 25 \times \Phi 20.5 \times 12$	2
45	IF81162100	Shroud Clip	6
46	HF1651600	Glide Sleeve $\square 50 \times \square 38$	2
47	IT80187200	Stopper	2
48	IF81224800	Adjustable Plate	2
49	V22500	Black Nylon Threaded Cap	2
50	IN-S10111200	Spacer $\Phi 17 \times 10.5$	4
51	IF81051600	Cam Groove	4
52	PL90221500	Cushion $\Phi 63.5 \times \Phi 15.5 \times 23$	2
53	GB5780M10*105DS20	Hex Head Bolts M10*105	3
54	GB5780M10*80DS20	Hex Head Bolts M10*80	3
55	GB5780M10*75DS20	Hex Head Bolts M10*75	2
56	GB5780M10*50DS20	Hex Head Bolts M10*50	13
58	GB5781M10*30DS20NL	Hex Head Bolts M10*30	3
59	PNLM10*110DS2	Button Head Cap Screw M10*110	2
60	GB77M8*8DS18	Socket Set Screw M8*8	4
61	CNLM10*30*30DS2NL	Flat Head Cap Screw M10*30	4
62	GB70M8*20DS2	Socket Head Cap Screw M8*20	5
63	PNLM6*15DS2	Button Head Cap Screw M6*15	2
64	PNLM6*40DS20	Button Head Cap Screw M6*40	1
65	PNLM8*25DS2	Button Head Cap Screw M8*25	8
66	GB819M5*15DS2	Flat Philips Screw M5*15	14
67	NM10DS2	Nylon lock Nut M10	19
68	NM8DS2	Nylon lock Nut M8	12
69	NM6DS2	Nylon lock Nut M6	1
70	DQ10DS2A	Flat Washer $\Phi 11 \times \Phi 23 \times 2$	43
71	GB958DS2	Flat Washer $\Phi 9 \times \Phi 16 \times 1.6$	12
72	DQ6DS2A	Flat Washer $\Phi 6.6 \times \Phi 15 \times 2$	2
73	DQ10DS2C	Flat Washer $\Phi 11 \times \Phi 30 \times 2$	3
74	NBS4DHS	Hex Key s=4	1
75	NBS5DHS	Hex Key s=5	1
76	NBS6DHS	Hex Key s=6	1
77	LW200BS	Wrench	1
78	YHY	Lube	1
79	IF81165000	Nut	4
80	GB893.140DHS12	Hole Clip $\Phi 40$	8
84	GB5780M10*110*30DS20NL	Hex Head Bolts M10*110	1

Parts List-Weight Plates

! There are three configuration of weights: 170LBS/200LBS/250LBS, please see following form for details.

Weight Plate 170LBS

Item No.	Part No.	Description	Qty
85	PLWS1000	Weight Plate 10LBS	16

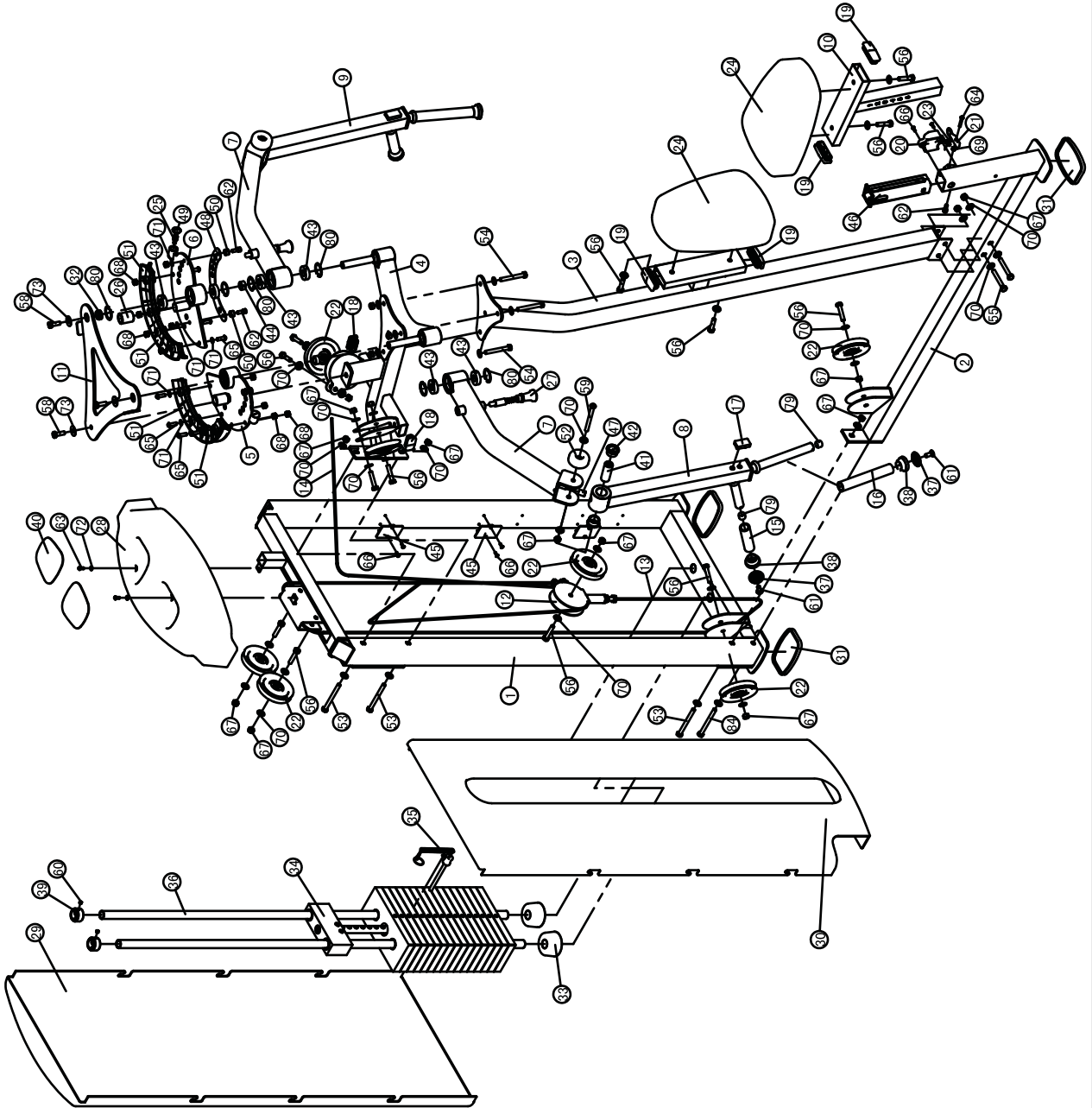
Weight Plate 200LBS

Item No.	Part No.	Description	Qty
85	PLWS1000	Weight Plate 10LBS	10
86	IF8WS1500	Weight Plate 15LBS	6

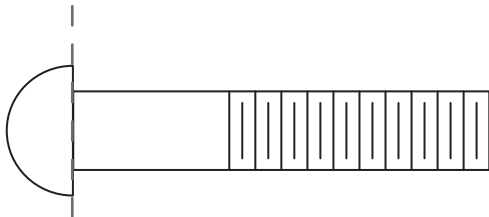
Weight Plate 250LBS

Item No.	Part No.	Description	Qty
86	IF8WS1500	Weight Plate 15LBS	16

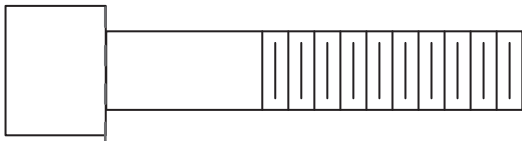
Exploded View



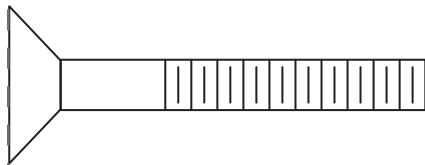
Measurement Guide



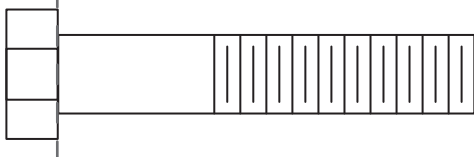
BHCS = Button Head Cap Screw



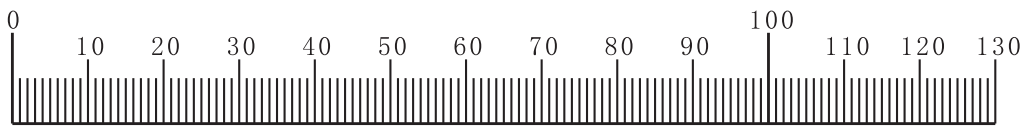
SHCS = Socket Head Cap Screw



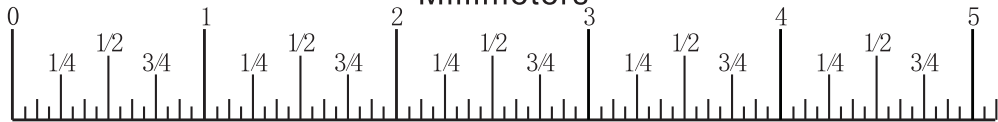
FHCS = Flat Head Cap Screw



HHB = Hex Head Bolt



Millimeters



Inches

Assembly Instructions

Assembly of the equipment takes professional installers about 2 hours. If this is the first time you have assembled this type of equipment, plan to spend more time. It is strongly recommended to assemble the equipment by professional installers. You may find it quicker, safer, easier to assemble this equipment with the help of a friend, as some of components may be large, heavy or awkward to handle alone. It is important that you assemble your product in a clean, clear, uncluttered area. This will enable you to move around the product while you are fitting components and reduce the possibility of injury during assembly.



Note

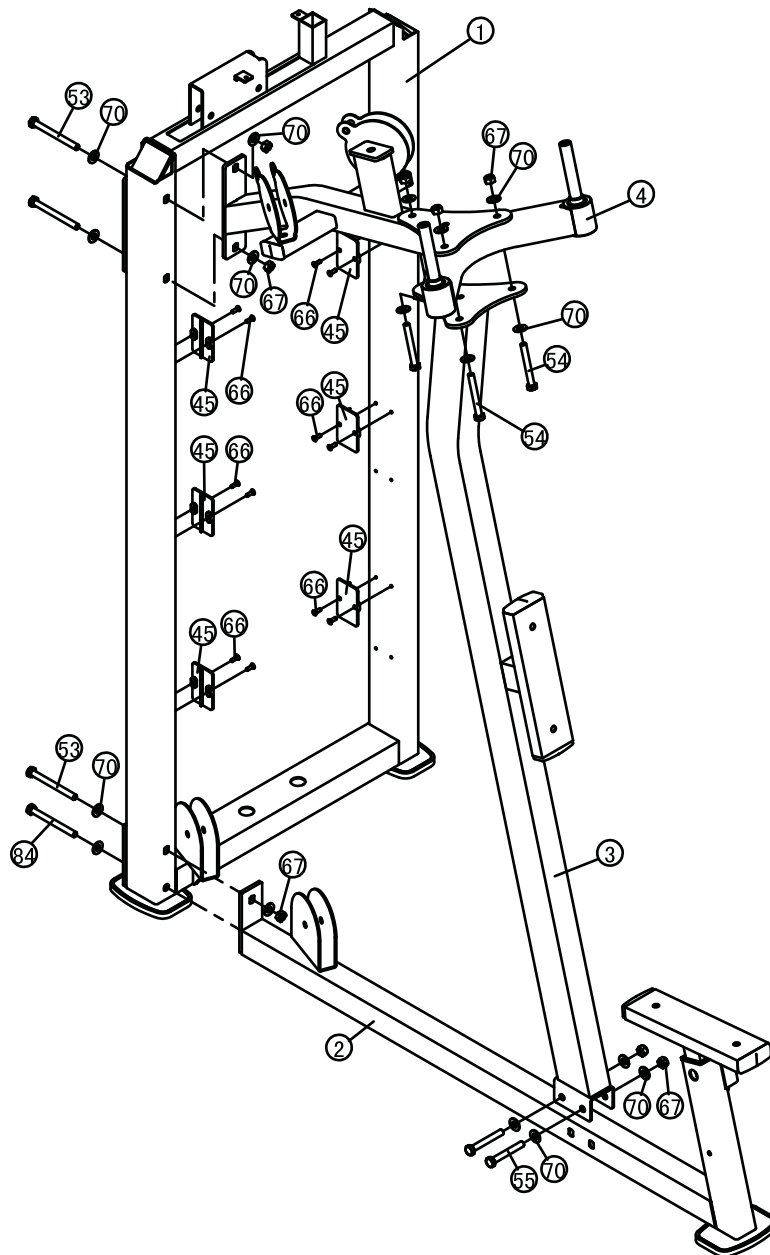
As with any assembled part, proper alignment and adjustment is critical. While tightening the fasteners, be sure to leave room for adjustments. Do not fully tighten the fasteners until instructed to do so. Be careful to assemble the components in the sequence presented in this guide.

Assembly

Step 1

1. Attach the Bottom Cross Brace(#2)to the Weight Stack Frame(#1),using :
one M10*105 HHB(#53) one M10*110 HHB(#84)
three $\Phi 11*\Phi 23*2$ Flat Washers(#70) one M10 Nylon lock Nut(#67)
2. Attach the Top Cross Brace(#4)and the Upright Frame(#3)to the Weight Stack Frame(#1), the Bottom Cross Brace(#2),using :
two M10*105 HHB (#53) three M10*80 HHB (#54)
two M10*75 HHB (#55) fourteen $\Phi 11*\Phi 23*2$ Flat Washers (#70)
seven M10 Nylon lock Nuts(#67)
3. Attach six Shroud Clips (#45)to the Weight Stack Frame(#1),using :
twelve M5*15 Flat Philips Screws (#66)

Note:Hand tighten bolts and Nylon Lock nuts until machine is fully assembled.

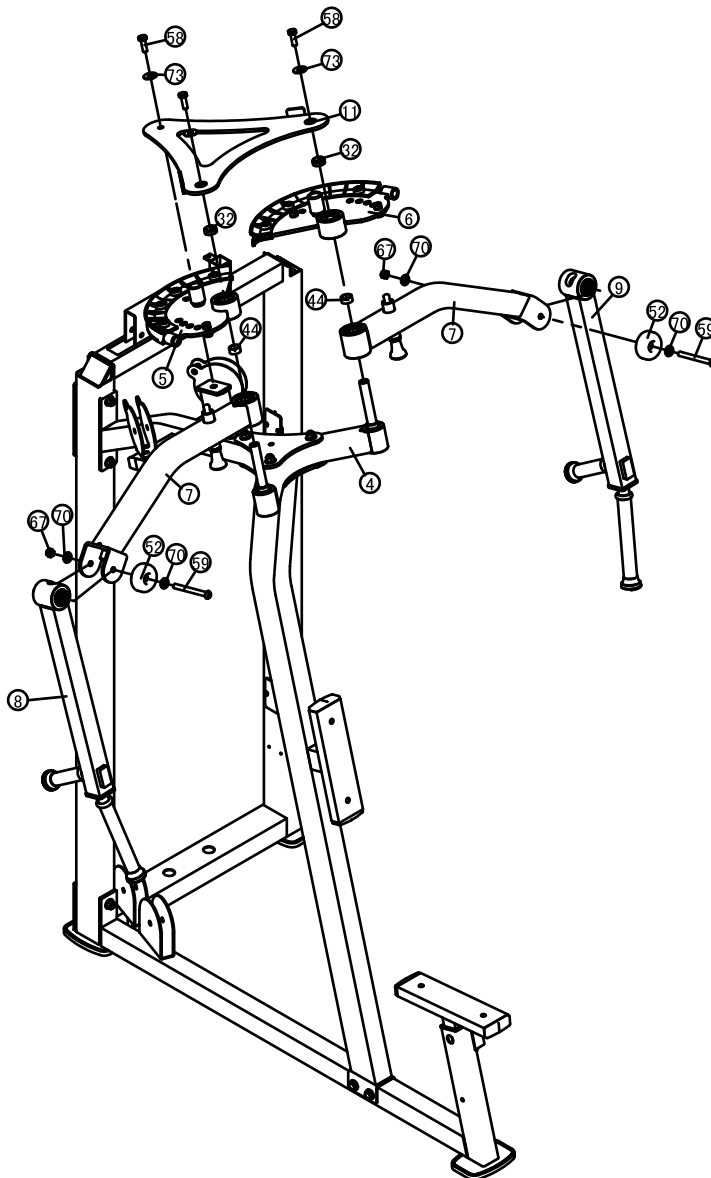


Assembly

Step 2

1. Attach two Adjustable Cross Brace(#7)to the Top Cross Brace(#4);
2. Attach the Right Cam(#5)and the Left Cam(#6)to the Top Cross Brace(#4);
attach the Top Frame(#11)to the Top Cross Brace(#4),using:
two $\Phi 25 \times \Phi 20.5 \times 12$ Spacer (#44) two $\Phi 27.5 \times \Phi 20.5 \times 11$ Spacer (#32)
three M10*30 HHB (#58) three $\Phi 11 \times \Phi 30 \times 2$ Flat Washers (#73)
3. Attach the Right Rotary Arm(#8)and the left Rotary Arm (#9) to two Adjustable Cross Brace(#7),using:
two M10*110 BHCS (#59) four $\Phi 11 \times \Phi 23 \times 2$ Flat Washers (#70)
two M10 Nylon lock Nuts (#67) two $\Phi 63.5 \times \Phi 15.5 \times 23$ Cushion (#52)

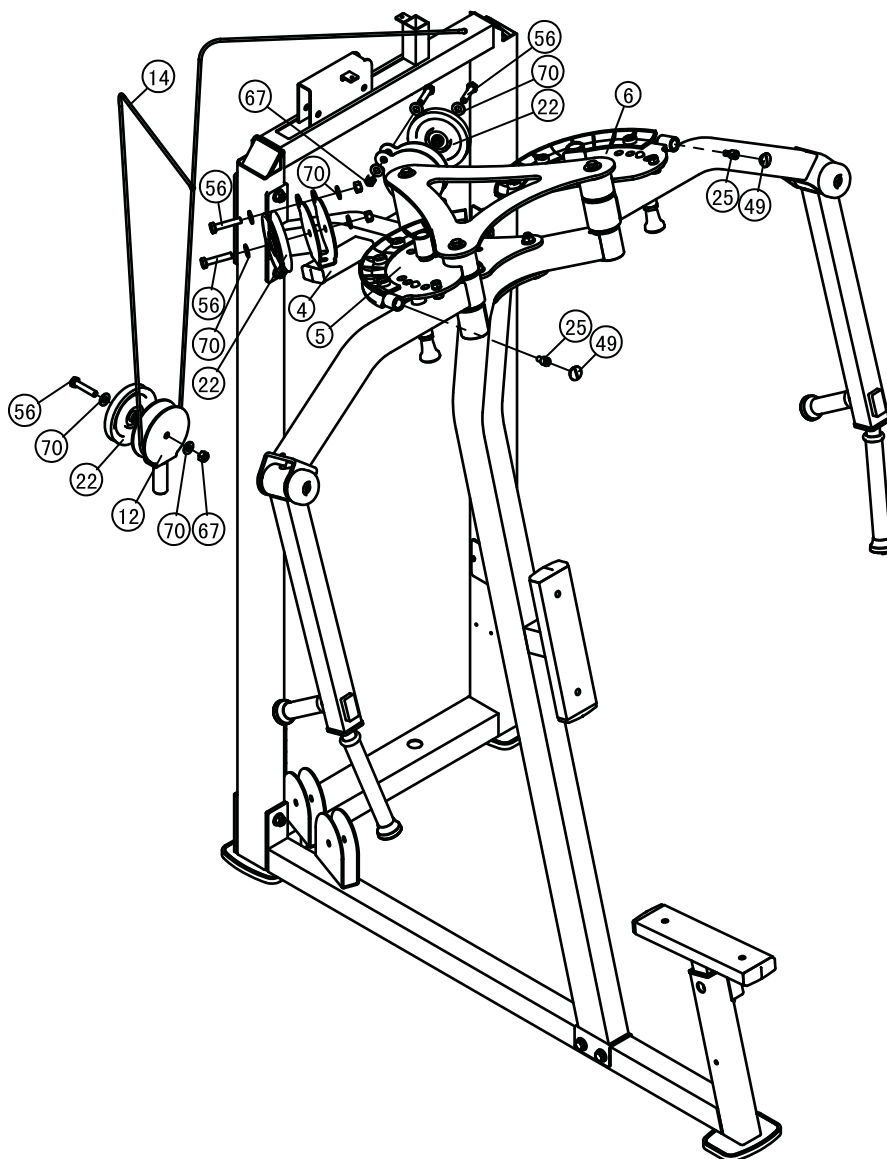
Note: Hand tighten bolts and Nylon Lock nuts until machine is fully assembled.



Assembly

Step 3

1. Attach one 4.5" Pulley (#22) to the Pulley Bracket (#12), using:
 - one M10*50 HHB(#56)
 - one M10 Nylon lock Nut (#67)
 - two $\Phi 11 \times \Phi 23 \times 2$ Flat Washers (#70)
 2. Attach two 4.5" Pulleys (#22) to the Top Cross Brace (#4) using:
 - four M10*50 HHB(#56)
 - four M10 Nylon lock Nuts (#67)
 - eight $\Phi 11 \times \Phi 23 \times 2$ Flat Washers (#70)
 3. Attach the Cable 2(#14) to the Right Cam (#5) & the Top Cross Brace (#4) & the Pulley Bracket (#12) & the Left Cam (#6), using:
 - two $\Phi 14.5 \times \Phi 8.6 \times 27$ Quick Release Cable Lock(#25)
 - two $\Phi 25.4 \times 9.7 \times 3/4$ "-16 Black Nylon Threaded Caps (#49)
- Note:** Hand tighten bolts and Nylon Lock nuts until machine is fully assembled.



Assembly

Step 4

1. Attach four 4.5" Pulleys (#22) to the Weight Stack Frame (#1) and the Bottom Cross Brace (#2), using:

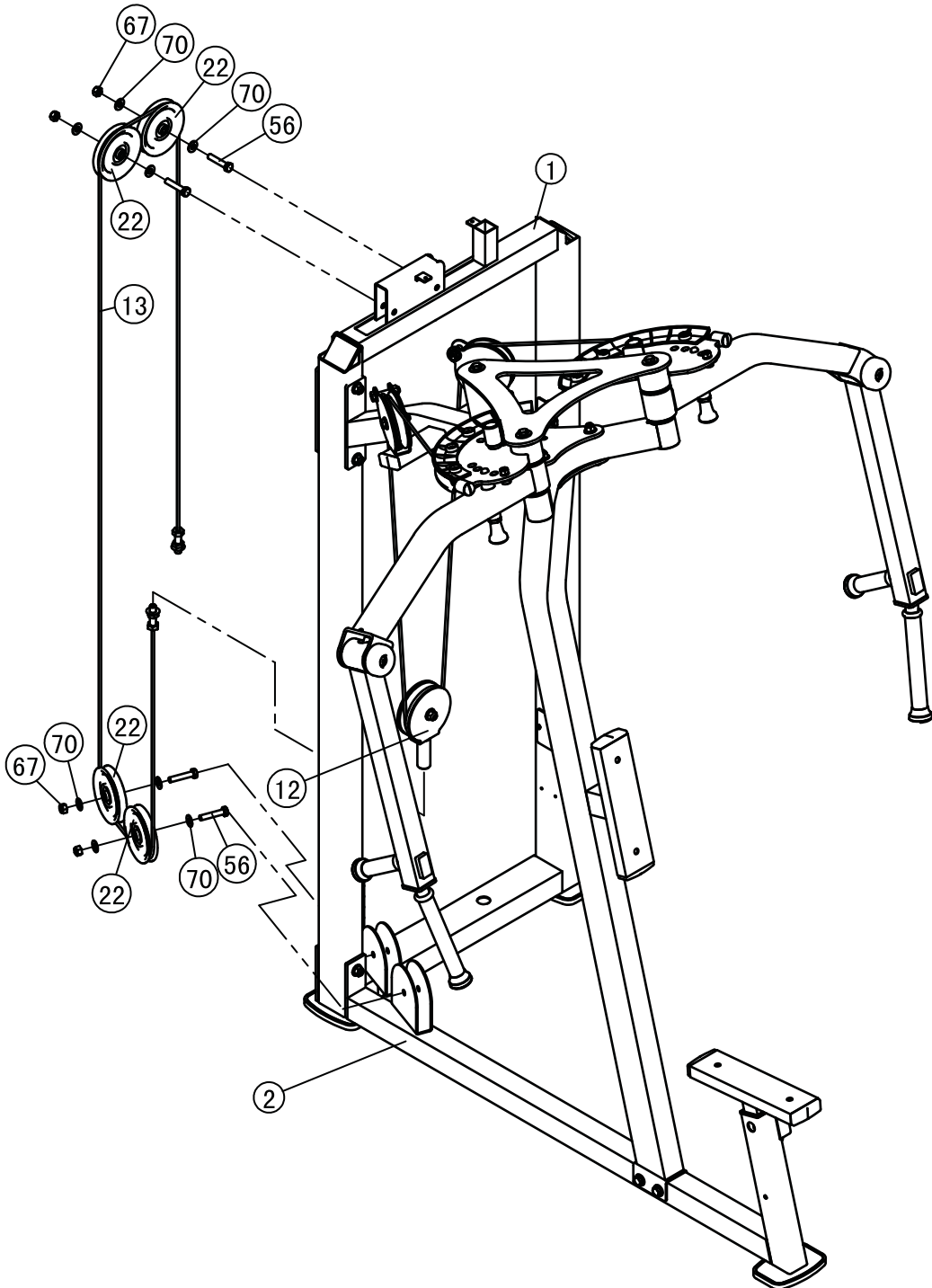
four M10*50 HHB (#56)

eight $\Phi 11*\Phi 23*2$ Flat Washers (#70)

four M10 Nylon lock Nuts (#67)

2. Attach the Cable 1 (#13) to the Pulley Bracket (#12).

Note: Hand tighten bolts and Nylon Lock nuts until machine is fully assembled.



Assembly-170LBS

Step 5

1. Attach:

two $\Phi 25 \times 2.5 \times 1529$ Guide Rod (#36)

sixteen 10LBS Weight Plate (#85)

two $\Phi 76.2 \times \Phi 26.9 \times 38.1$ Weight Rubber Bumper(#33) one Top Plate(#34)

to the Weight Stack Frame(#1), using :

two $\Phi 40 \times 25$ Mount Sleeve (#39)

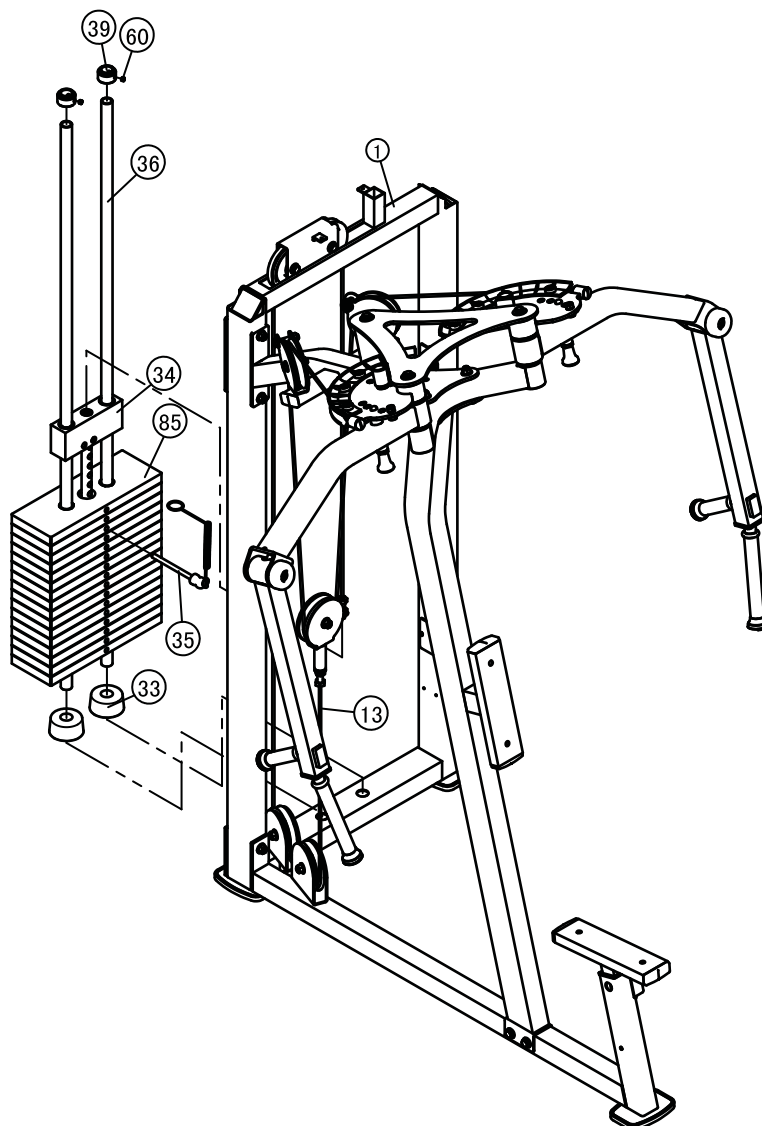
four M8*8 Socket Set Screws (#60)

2. Attach the Selector Pin W/Coil (#35) to Top Plate (#34);

3. Attach the Cable 1 (#13) to the Top Plate (#34) .

Note: Hand tighten bolts and Nylon Lock nuts until machine is fully assembled.

*Here is the assembly instruction for 170LBS weights.
Please assemble according to the actual weights you buy.*



Assembly-200LBS

Step 5

1. Attach:

two $\Phi 25 \times 2.5 \times 1529$ Guide Rod (#36)

ten 10LBS Weight Plate (#85)

six 15LBS Weight Plate (#86)

two $\Phi 76.2 \times \Phi 26.9 \times 38.1$ Weight Rubber Bumper (#33)

one Top Plate (#34)

to the Weight Stack Frame (#1) using :

two $\Phi 40 \times 25$ Mount Sleeve (#39)

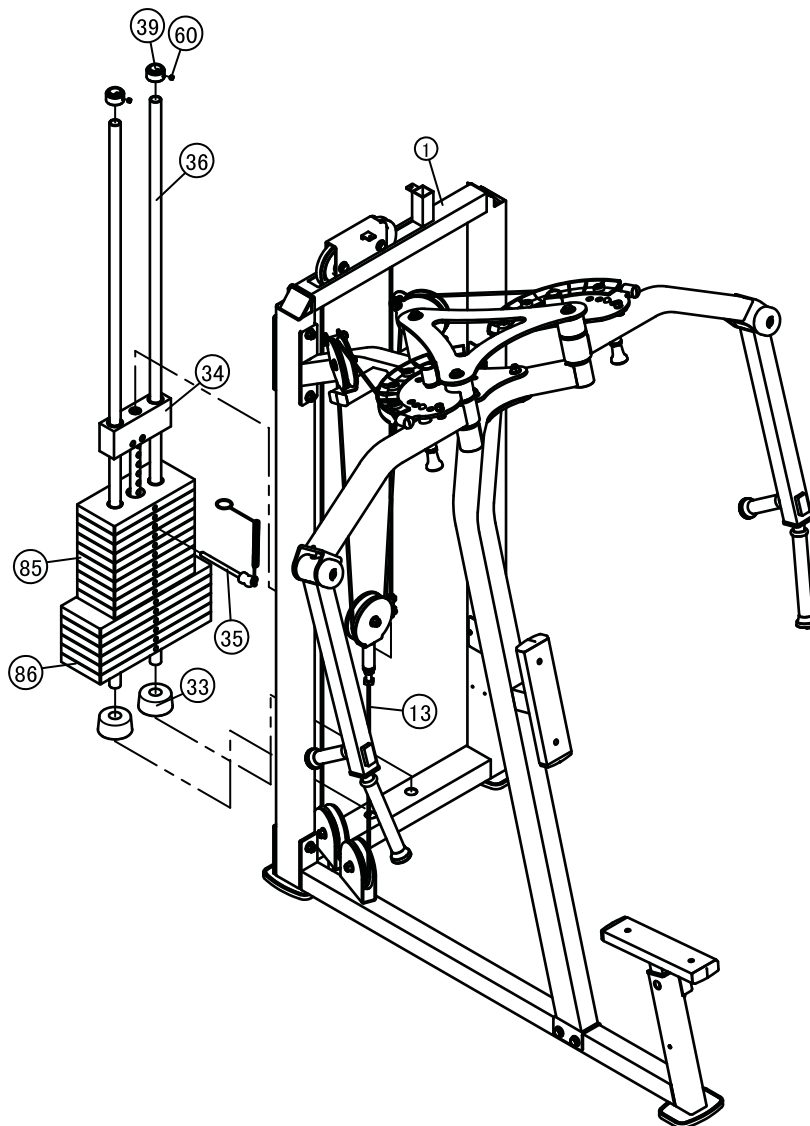
four M8*8 Socket Set Screws (#60)

2. Attach the Selector Pin W/Coil (#35) to Top Plate (#34);

3. Attach the Cable 1 (#13) to the Top Plate (#34) .

Note: Hand tighten bolts and Nylon Lock nuts until machine is fully assembled.

*Here is the assembly instruction for 200LBS weights.
Please assemble according to the actual weights you buy.*



Assembly-250LBS

Step 5

1. Attach:

two $\Phi 25 \times 2.5 \times 1529$ Guide Rod (#36)

sixteen 15LBS Weight Plate (#86)

two $\Phi 76.2 \times \Phi 26.9 \times 38.1$ Weight Rubber Bumper (#33) one Top Plate(#34)

to the Weight Stack Frame(#1), using :

two $\Phi 40 \times 25$ Mount Sleeve (#39)

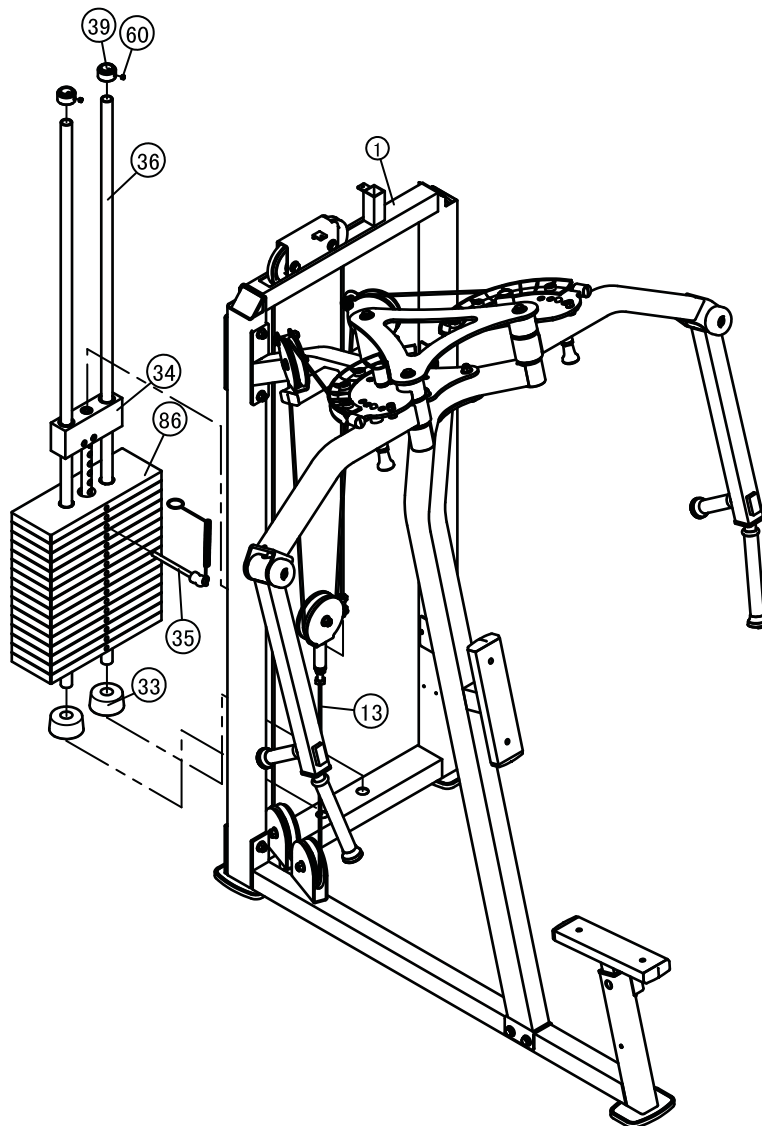
four M8*8 Socket Set Screws (#60)

2. Attach the Selector Pin W/Coil (#35) to Top Plate (#34);

3. Attach the Cable 1 (#13) to the Top Plate (#34) .

Note: Hand tighten bolts and Nylon Lock nuts until machine is fully assembled.

*Here is the assembly instruction for 250LBS weights.
Please assemble according to the actual weights you buy.*



Assembly

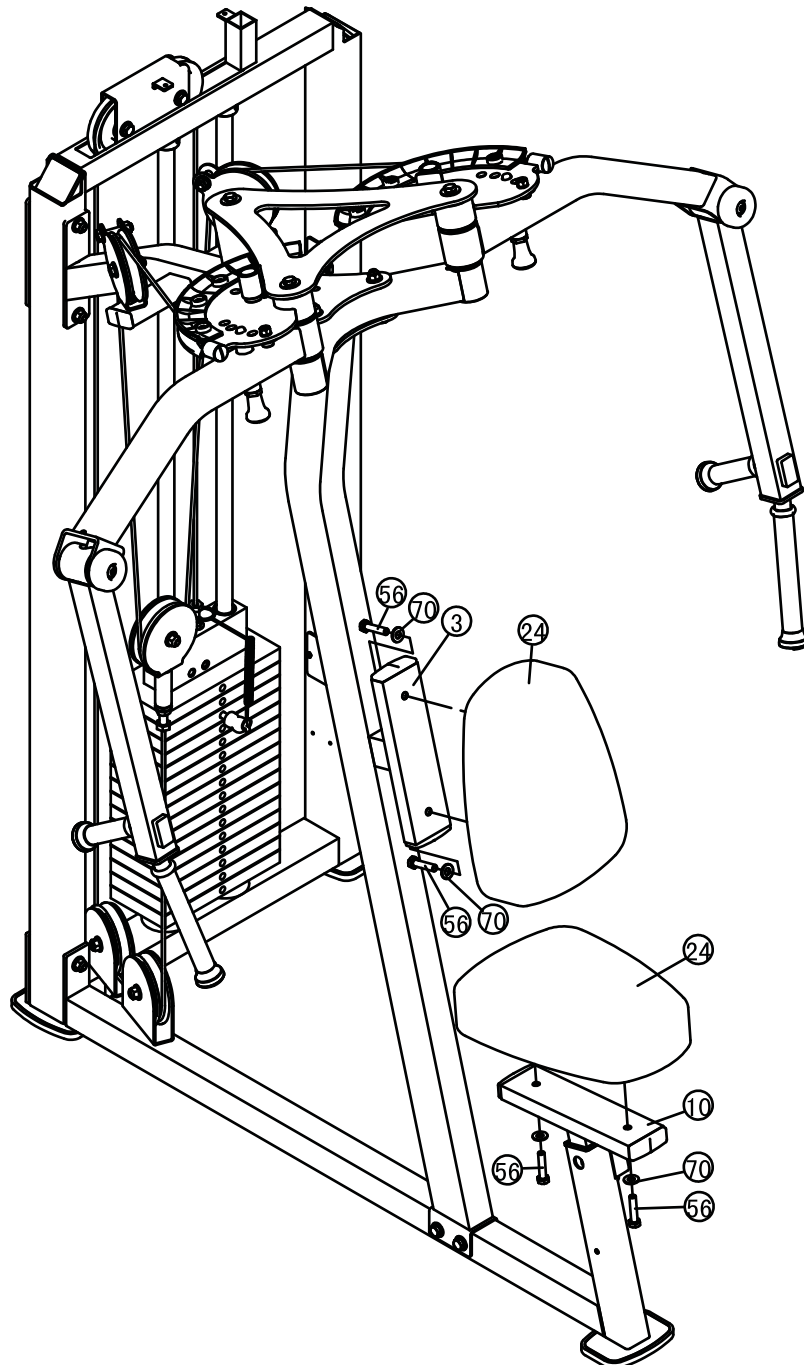
Step 6

Attach two Seat Pad(#24)to the Seat Pad Support(#10)and the Upright Frame (#3)using :

four M10*50 HHB (#56)

four $\Phi 11*\Phi 23*2$ Flat Washers (#70)

Note:Wrench Tighten bolts and Nylon Lock nuts.

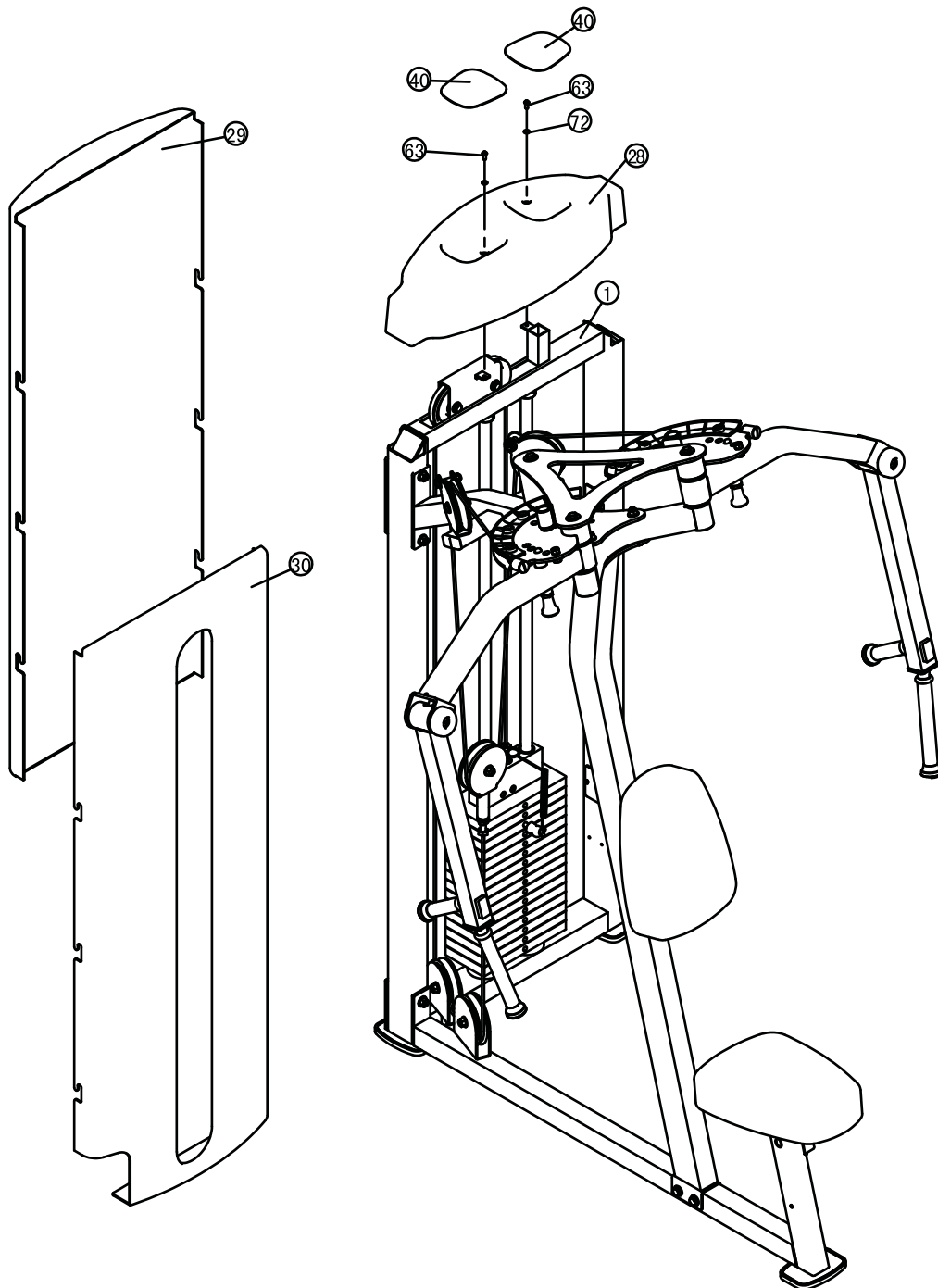


Assembly

Step 7

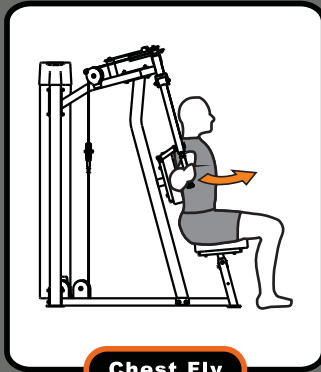
1. Attach the Front Shroud(#30)and the Rear Shroud(#29)to the Weight Stack Frame(#1);
2. Attach the Top Shroud(#28)to the Weight Stack Frame(#1),using:
two M6*15 BHCS(#63) two $\phi 6.6 \times \phi 15 \times 2$ Flat Washers(#72)

Note: Wrench Tighten bolts and Nylon Lock nuts.

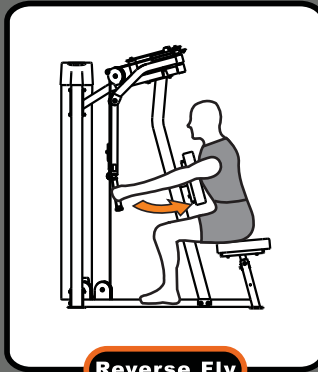


Exercise Instructions

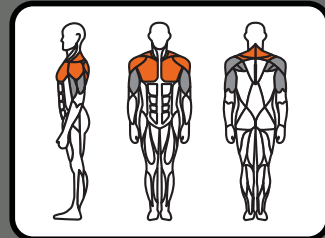
PEC FLY/REAR DELT



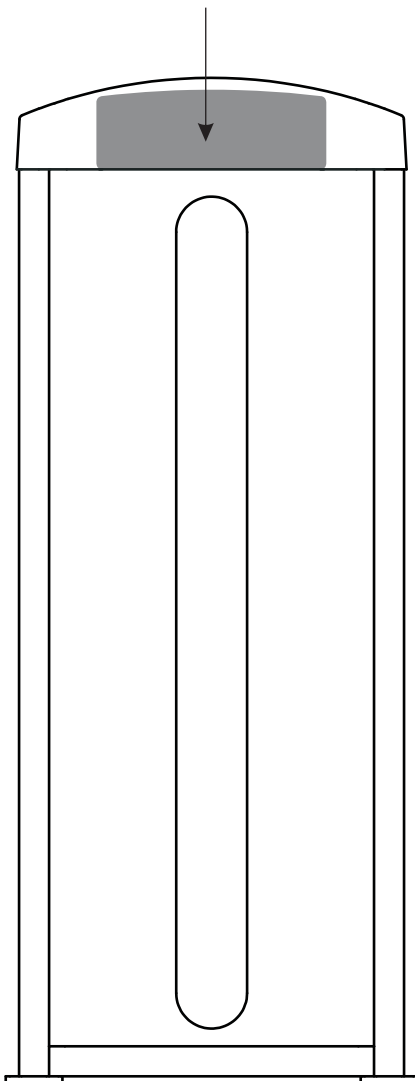
Chest Fly



Reverse Fly



1. Select an appropriate weight.
2. Adjust seat pad for desired positioning.
3. **Chest fly:** Select desired positioning, back to machine, hold bar and open arms to two sides, slowly move forward.
Reverse fly: Adjust arm frame toward back position, face to machine and hold bar, and slowly open arms until almost parallel to chest.
4. Slowly return to the starting position.



Exercise Instructions

1. Select an appropriate weight.
2. Adjust seat pad for desired positioning.
3. **Chest fly:** Select desired positioning, back to machine, hold bar and open arms to two sides, slowly move forward.
Reverse fly: Adjust arm frame toward back position, face to machine and hold bar, and slowly open arms until almost parallel to chest.
4. Slowly return to the starting position.

(Adjust weight according to the select pin)

Maintenance Schedule

ROUTINE	COMMERCIAL MAINTENANCE	HOME MAINTENANCE	LATEST DATE ENTRY					
Inspect; Links, Pull Pins, Snap Locks, Swivels, Weight Stack Pins	DAILY	WEEKLY						
Clean; Upholstery	DAILY	WEEKLY						
Inspect; Cables or Belts and their tension	DAILY	WEEKLY						
Inspect; Accessory Bars, and Handles	WEEKLY	3 MONTHS						
Inspect; All Decals	WEEKLY	3 MONTHS						
Inspect; All Nuts and Bolts, Tighten if needed	WEEKLY	3 MONTHS						
Inspect; Anti-Skid Surface	WEEKLY	3 MONTHS						
Clean & Lubricate; Guide Rods with a Teflon (PTFE) based lubricant (Superlube)	MONTHLY	3 MONTHS						
Lubricate; Seat Sleeves, Turcite Bushings, Linear Bearing	MONTHLY	3 MONTHS						
Clean and Wax; All Glossy Finishes	6 MONTHS	YEARLY						
Repack with Grease; Linear Bearings	6 MONTHS	YEARLY						
Replace; Cables, Belts and Connecting Parts	YEARLY	3 YEARS						

Your equipment comes with a commercial maintenance decal. For personal, in home use, please follow the home maintenance schedule listed above.

General Maintenance Information

Links, Pull-Pins, Snap Hooks, Swivels, Weight Stack Pins:

- *Check all pieces for signs of visible wear or damage.
- *Check springs in snap hooks and pull-pins for proper tension and alignment.
- *If the spring sticks or has lost its rigidity, replace it immediately.

Upholstery:

- *To ensure prolonged upholstery life and proper hygiene, all upholstered pads should be wiped down with a damp cloth after every workout.
- *Periodically take the time to use a mild soap or an approved vinyl upholstery cleaner to deter the onset of cracking or drying. Avoid using any abrasive cleaners or cleaners not intended for use on vinyl.
- *Replace ripped or worn upholstery immediately.
- *Keep sharp or pointed objects clear of all upholstery.

Decals:

- *Inspect and familiarize yourself with any safety warnings or other user information posted on each decal.

Nuts and Bolts:

- *Inspect all nuts and bolts for any loosening and tighten if needed.
- *Go through a re-tightening sequence periodically to ensure that all hardware is tensioned proper.

Anti-Skid Surfaces:

- *These surfaces are designed to supply secure footing and need to be replaced if they appear worn or become slippery.

Belts and Cables:

- *We use only high quality belt, and mil-spec cables.
- *Visually inspect the belts and cables for fraying, cracking, peeling or discoloration.
- *While the machine is not in use, carefully run your fingers along the belt or cable to feel for thinning or bulging areas.
- *Replace belts and cables immediately at the first signs of damage or wear. Do not use equipment until belts or cables have been replaced.

Belt and Cable Tension:

- *Referring to the Owners Manual, when belts or cables are used check all bolt attachments to be sure they are properly attached.
- *Check slack in cables and re-adjust cable tension if needed.

Seat Sleeves, Guide Rods:

- *Wipe down adjusting tubes with a dust free rag before applying lubricant.
- *Lubricate seat sleeves and Guide Rods with a Silicon or Teflon based lubricant spray.

Linear Bearings:

- *Referring to the Owners Manual carefully disassemble the bearing from its housing and place a finger full of light grease (lithium, super lube, etc.) into the inside of the bearing. Using your finger, press the grease into the ball-bearings and their tracks. Repeat until the ball-bearing tracks are full of grease. Insert the shaft back into the bearing and wipe off excess grease.

PLEASE KEEP THIS FOR YOUR RECORDS

Weight Training Tips

Use this manual to guide you through the basic exercises you can perform on your equipment. To gain maximum results and avoid possible injury, consult a fitness professional to develop your complete exercise program.

Always consult your physician before starting any exercise program.

To be successful in your exercise program, it is important to develop an understanding of the basic principles of strength training. Now that you have your equipment, it is only natural that you want to get started immediately. First, determine a set of realistic goals and objectives for yourself. By deciding on an exercise plan that is right for you prior to starting, you will contribute significantly to your success.

Warm up properly before engaging in weight resistance training. Stretching, yoga, jogging, calisthenics or other cardiovascular exercise can help prepare your body for the heavier workload of lifting weights.

Learn how to perform the exercise correctly before using heavy weight. Correct form is important to avoid injury and to ensure that you work the proper muscle groups.

Know your limitations. If you are new to weight training or are embarking on an exercise regimen after a long layoff, start slowly and build foundational strength over a longer period of time.

Pay attention to your breathing. Exhale when you exert is a general rule of thumb. Never hold your breath.

This unit is for gyms, Please consult with a training instructor before using.

Specifications

1. Class: S
2. Maximum Wt. Capacity: 113Kg/ 250lbs.
3. Maximum Load of Trainer: 150Kg/ 330lbs.

