

Инструкция

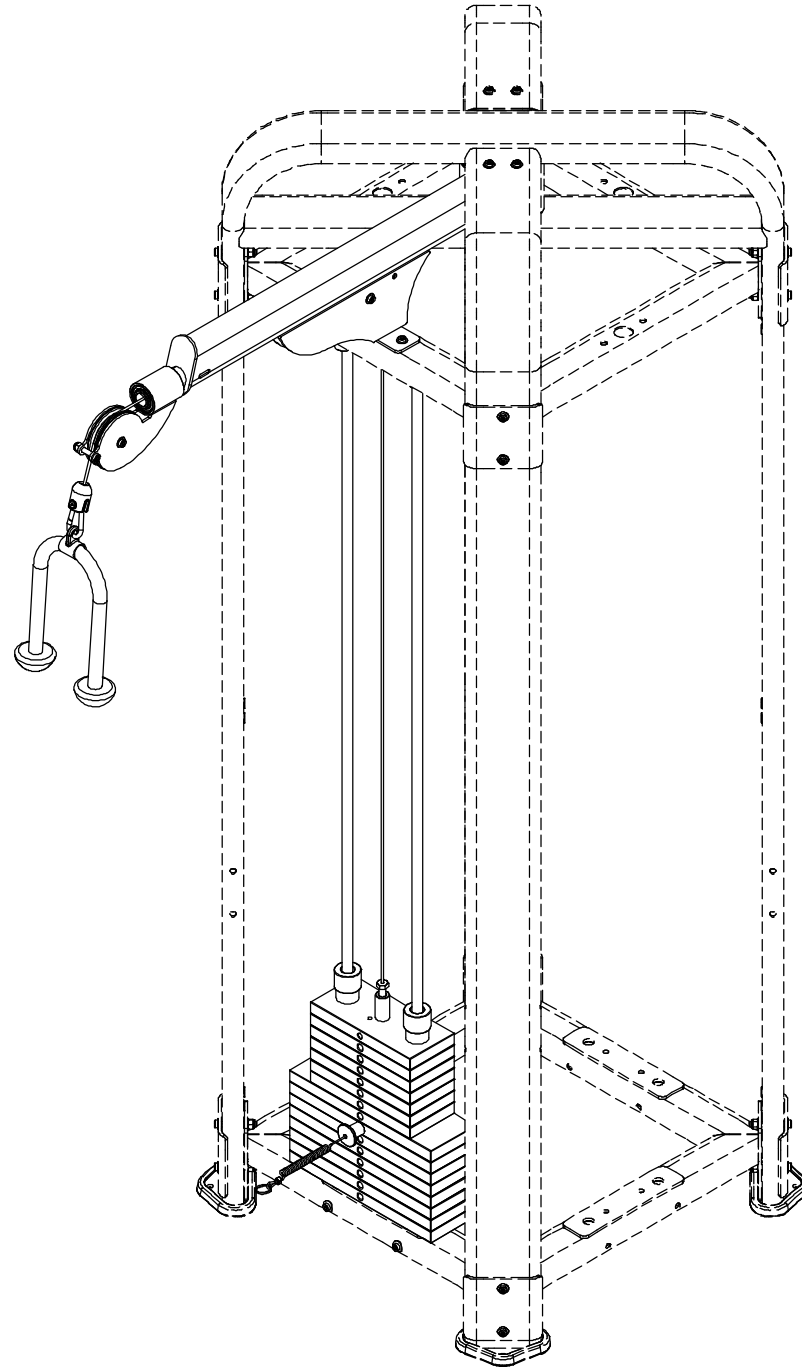
Трицепс Inotec MJ-TP (опция для MJ-S)

Полезные ссылки:

[Трицепс Inotec MJ-TP \(опция для MJ-S\) - смотреть на сайте](#)

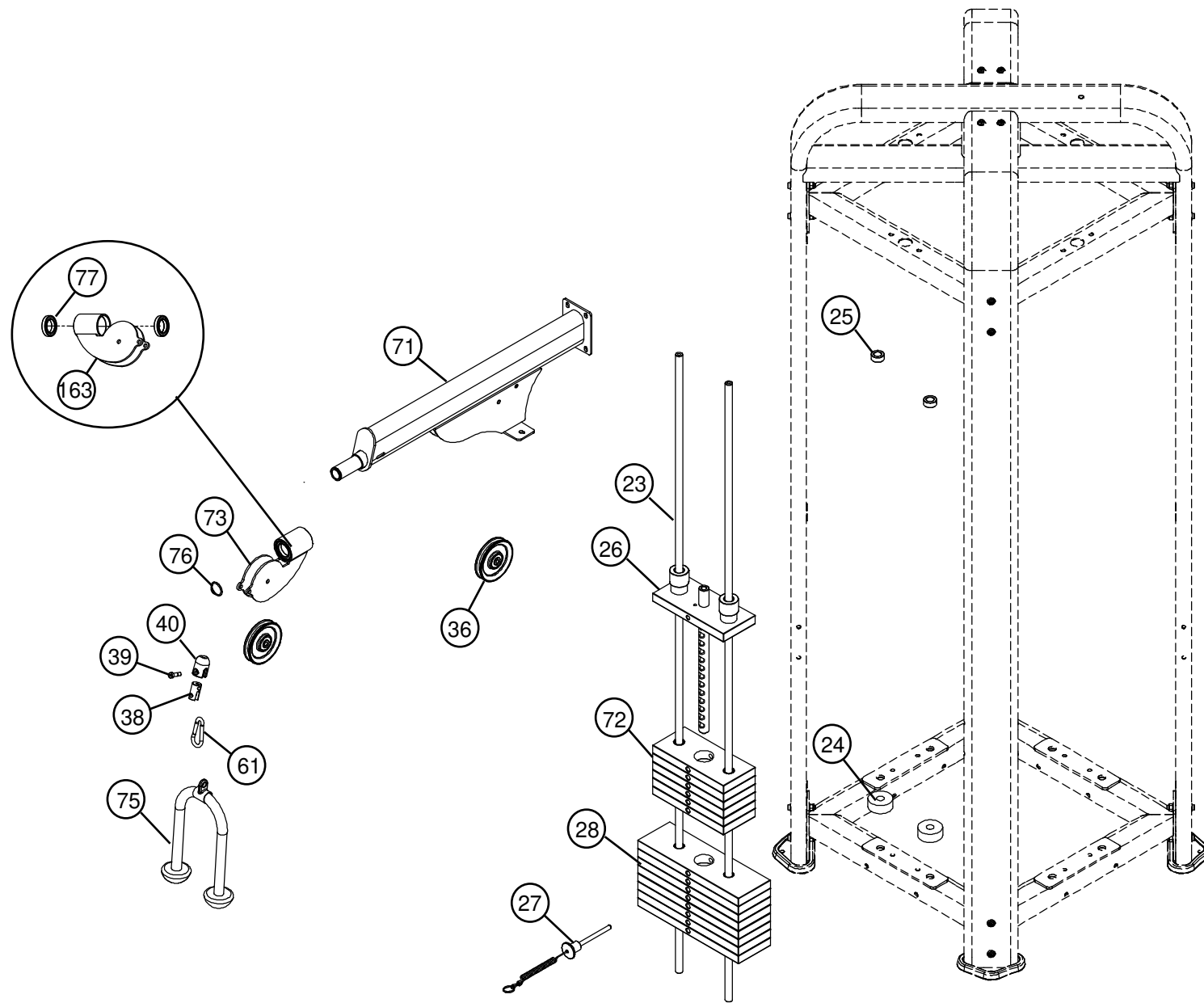
[Трицепс Inotec MJ-TP \(опция для MJ-S\) - читать отзывы](#)

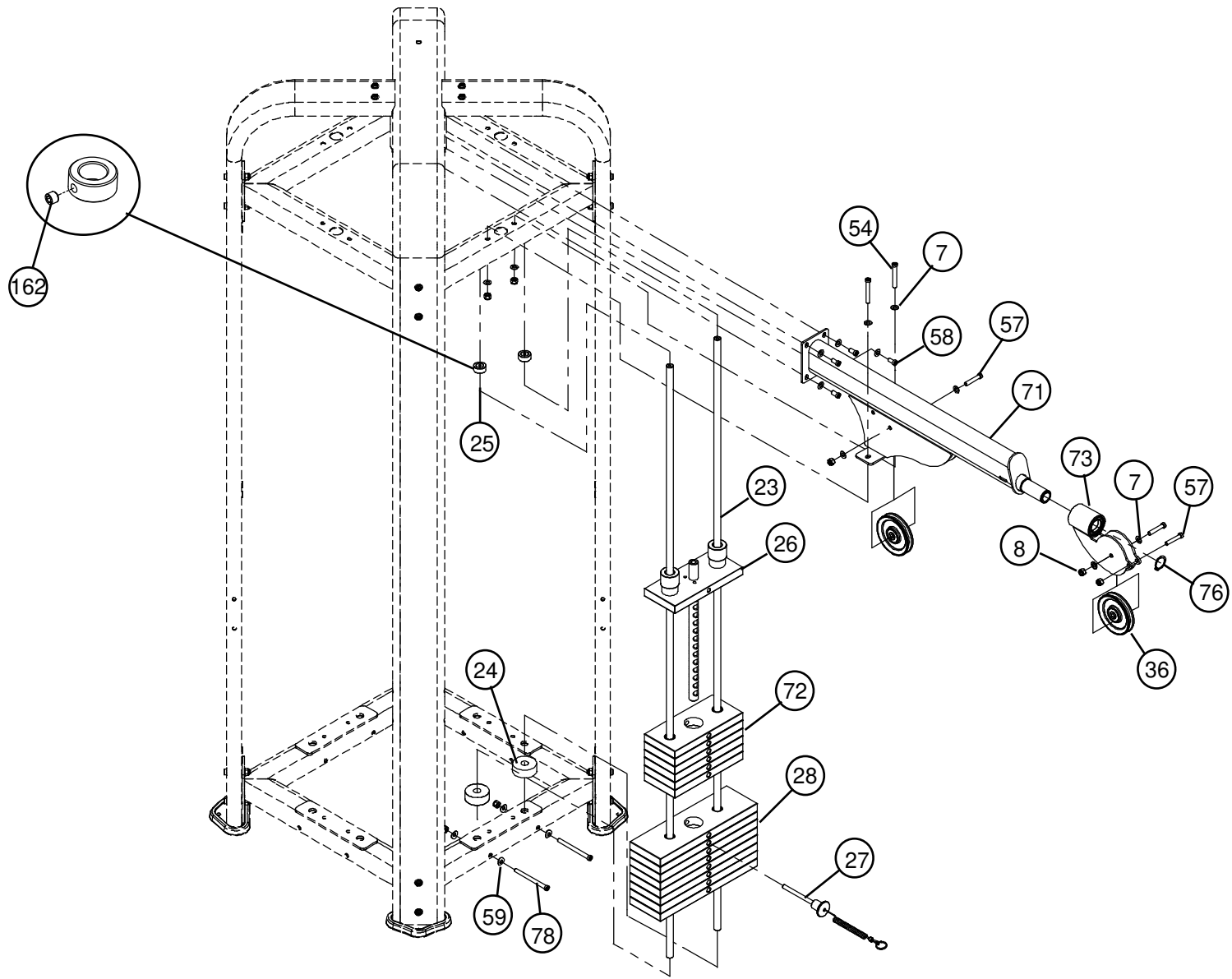
MJ-TP MJ4 Tricep Push Down



PARTS LIST

ITEM	Qty	Part No.	Description
7	46	DC120010510U	Flat Washer 3/8" x 1t
8	22	DB2E03811000U	Lock Nut 3/8" x 11t
23	2	P01-5184	Guide Rod
24	2	P06-0034	Weight Stack Cushion
25	2	A05-0212	Guide Rod Collar
26	1	P20-4282	Head Plate Assembly
27	1	P11-0210	Weight Selector Pin
28	2	KN000329	15lb Weight Plate
36	1	P06-0035	4 1/2" Pulley
38	1	P05-1010	U Bracket
39	1	P05-1015	Shoulder Bolt
40	1	P06-2262	Cable Plastic Housing
54	2	DABE03823416NAU	Cap Head Screw 3/8" x 2 3/4"L
57	3	DABE03820016NAU	Cap Head Screw 3/8" x 2 "L
58	8	DABE03803416YBU	Cap Head Screw 3/8" x 3/4 "L with blue patch
59	14	DC322010015U	Curved Washer
61	1	DI1080080U	Snap Hook
71	1	P04-3842	TP/LP Top Beam
72	2	KN000334	10lb Weight Plate, 3pcs / box
73	1	P20-4266	High Pulley Assembly
74	1	P13-0463	TP / LP Cable
75	1	P10-0026	Tricep Rope
76	1	DC100035000B	C Clip
77	2	DH000006907	Ball Bearing
78	2	DABE03841216NAU	Cap Head Screw 3/8" x 4 1/2"L
163	1	P04-3855	High Pulley Weldment





#74 LP / TP Cable P13-0463

