

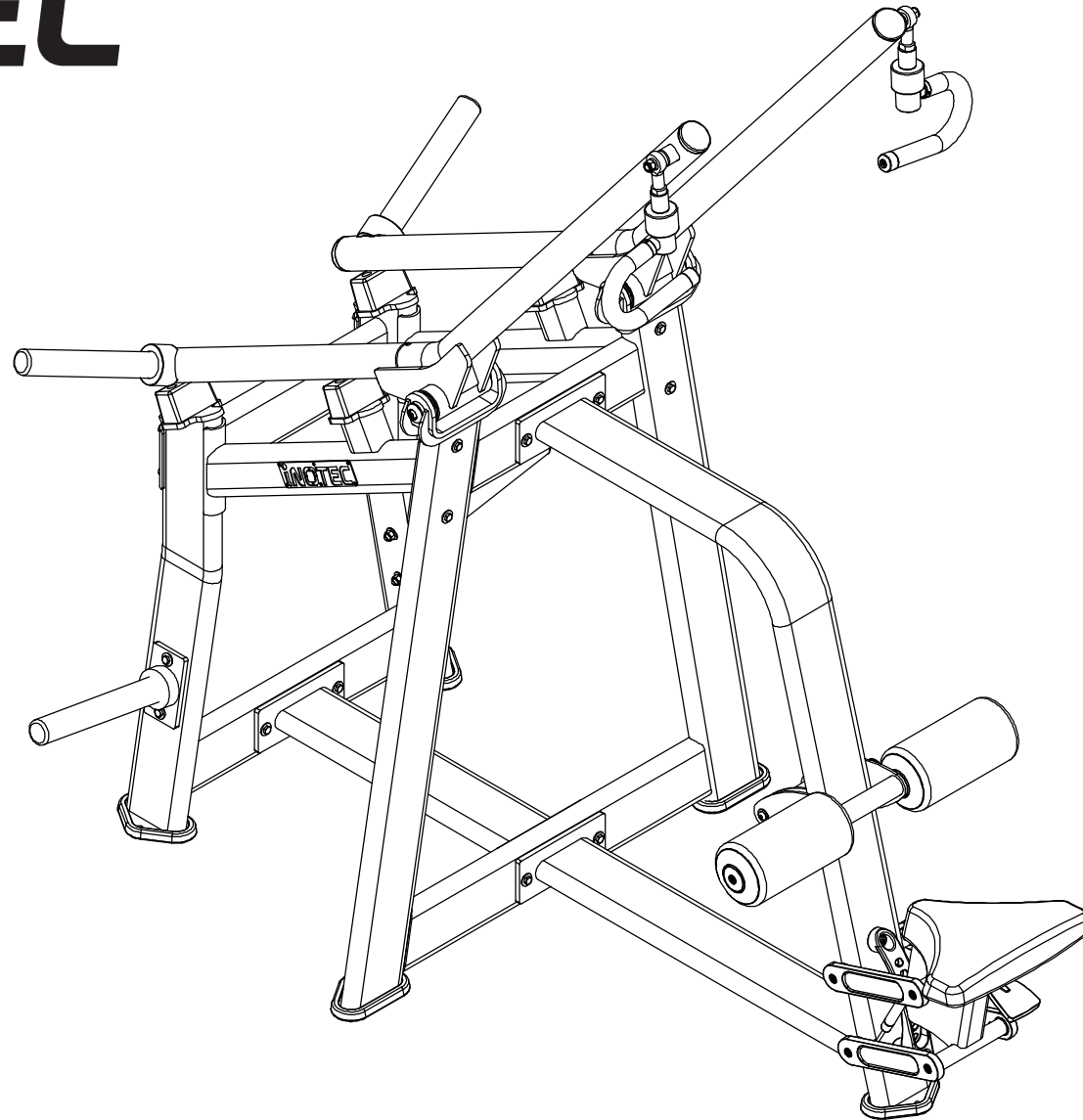
Инструкция

Вертикальная тяга на свободных весах Inotec A3

Полезные ссылки:

[Вертикальная тяга на свободных весах Inotec A3 - смотреть на сайте](#)

iNOTECH

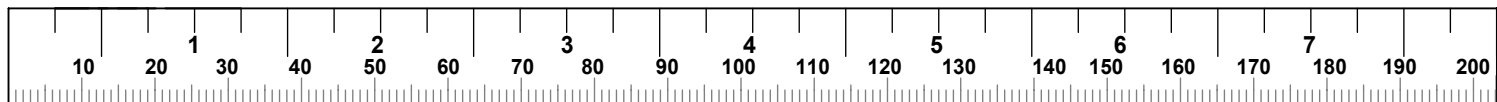


ATHLETIC LINE-LAT PULL DOWN

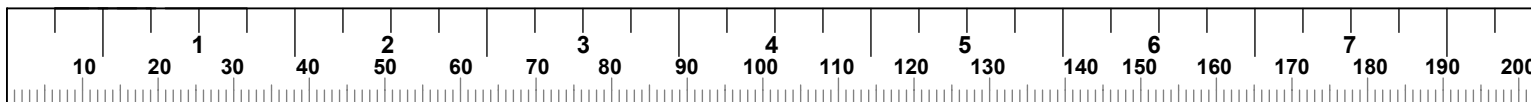
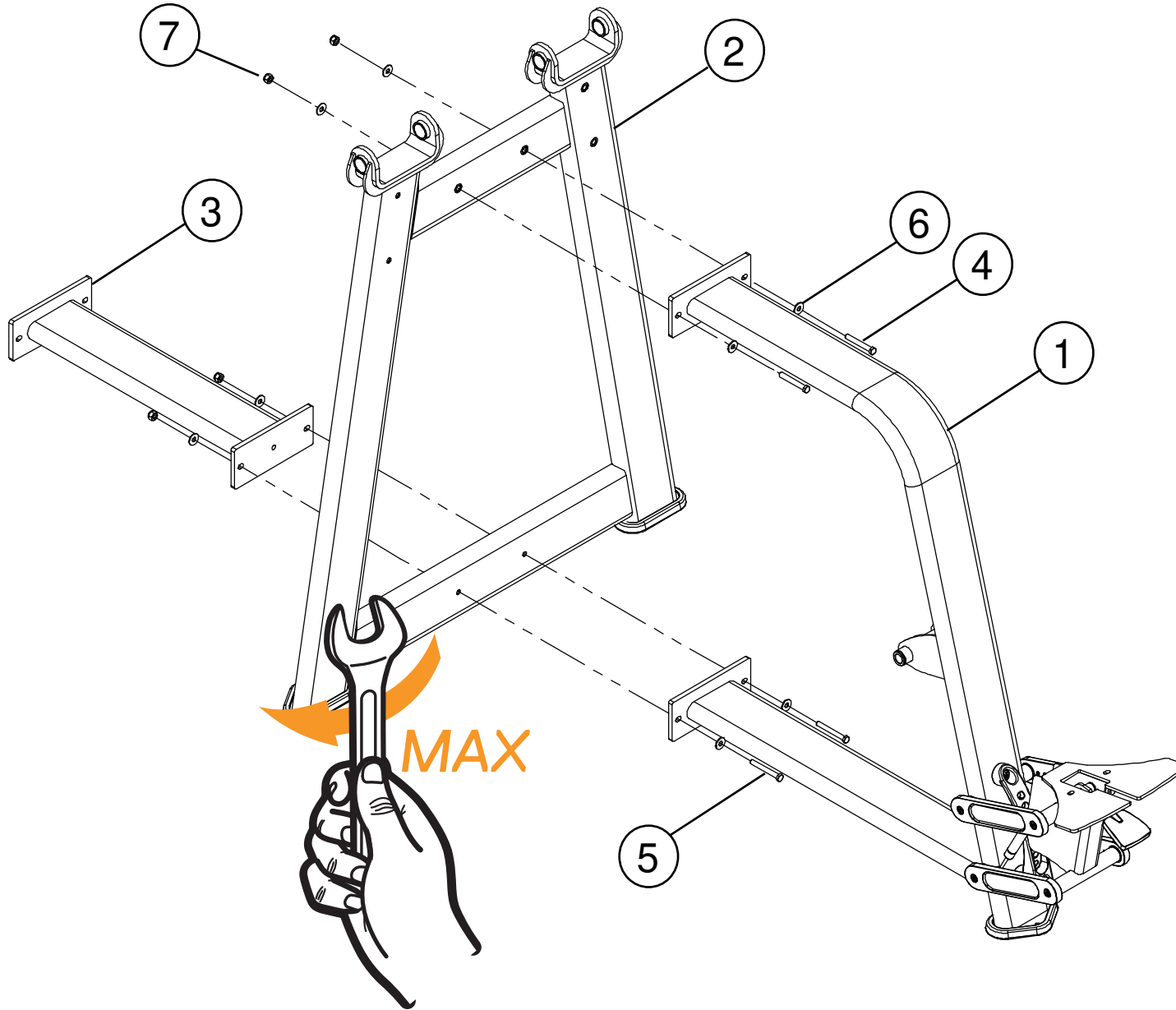
Assembly Guide

A3

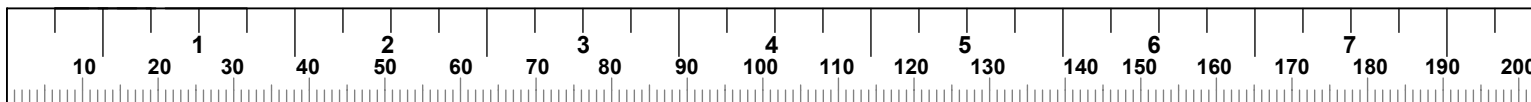
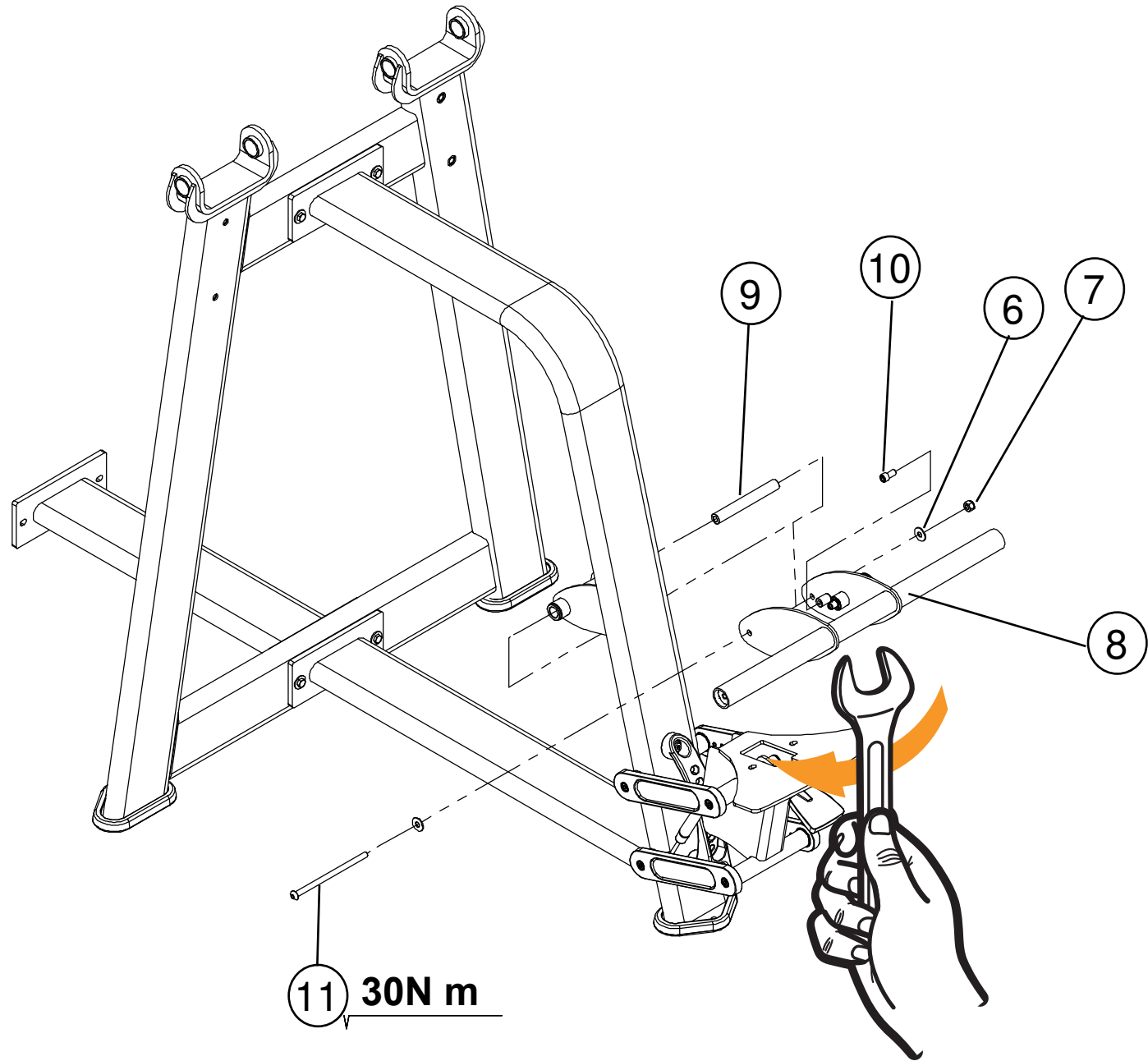
ITEM	QTY	PART NO	DESCRIPTION	ITEM	QTY	PART NO	DESCRIPTION
1	1	P20-4753	SEAT TUBE ASSEMBLY	17	4	DC322010020U	CURVED WASHER
2	1	P20-4748	FRONT FRAME ASSEMBLY	18	2	P20-4756	WEIGHT PLATE HORN
3	1	P04-4192	CONNECTION TUBE	19	1	P20-4749	ARM ASSEMBLY LEFT
4	12	DA1E03823416NU	HEX SCREW Φ 3/8" -16x2-3/4"L (70mm)	20	1	P20-4750	ARM ASSEMBLY RIGHT
5	2	DA1E03830016NU	HEX SCREW Φ 3/8" -16x3"L (76mm)	21	2	P20-4807	ROTATIONAL GRIP
6	32	DC125010020U	FLAT WASHER	22	2	DB2E01212013U	NYLON NUT Φ 1/2"x12t
7	15	DB2E03811000U	NYLON NUT Φ 3/8"x11t	23	2	P03-3017	ARM CONNECTING SHAFT
8	1	P20-4752	ROLLER TUBE ASSEMBLY	24	4	P05-1222	ALUMINUM WASHER Φ 38.1x Φ 10.5
9	1	P03-3018	CONNECTION SHAFT	25	4	DAEE03803416YU	TRUSS HEX SCKET HEAD SCREW Φ 3/8" -16UNCx3/4"L
10	1	DABE03803416AYU	HEX SCKET HEAD SCREW Φ 3/8"-16x 3/4"L(19mm)	26	2	P06-2169	ROLLER PAD
11	1	DAEC03817316NU	TRUSS HEX SCKET HEAD SCREW Φ 3/8" -16UNC x 173L	27	2	P03-3086	ROLLER BUSH
12	1	P20-4758	CONNECTION TUBE LEFT	28	2	P05-0978	ALUMINUM WASHER Φ 50x Φ 10
13	1	P20-4759	CONNECTION TUBE RIGHT	29	2	DABE03810016AYU	HEX SCKET HEAD SCREW Φ 3/8"-16x1"(25.4mm)
14	1	P20-4751	BACK FRAME ASSEMBLY	30	1	P07-0434	SEAT PAD
15	2	P02-6650	U BRACKET	31	2	DABE03811416AYU	HEX SCKET HEAD SCREW Φ 3/8"-16x1-1/4"L (31.8mm)
16	4	DA1E03851216NU	HEX SCREW Φ 3/8" -16x5-1/2"L(140mm)				



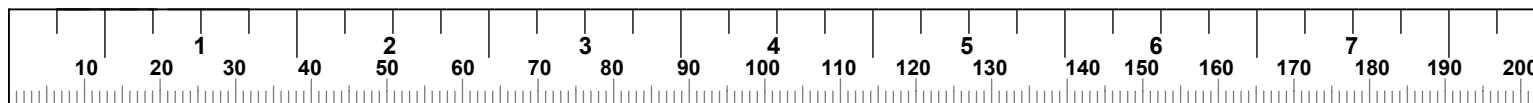
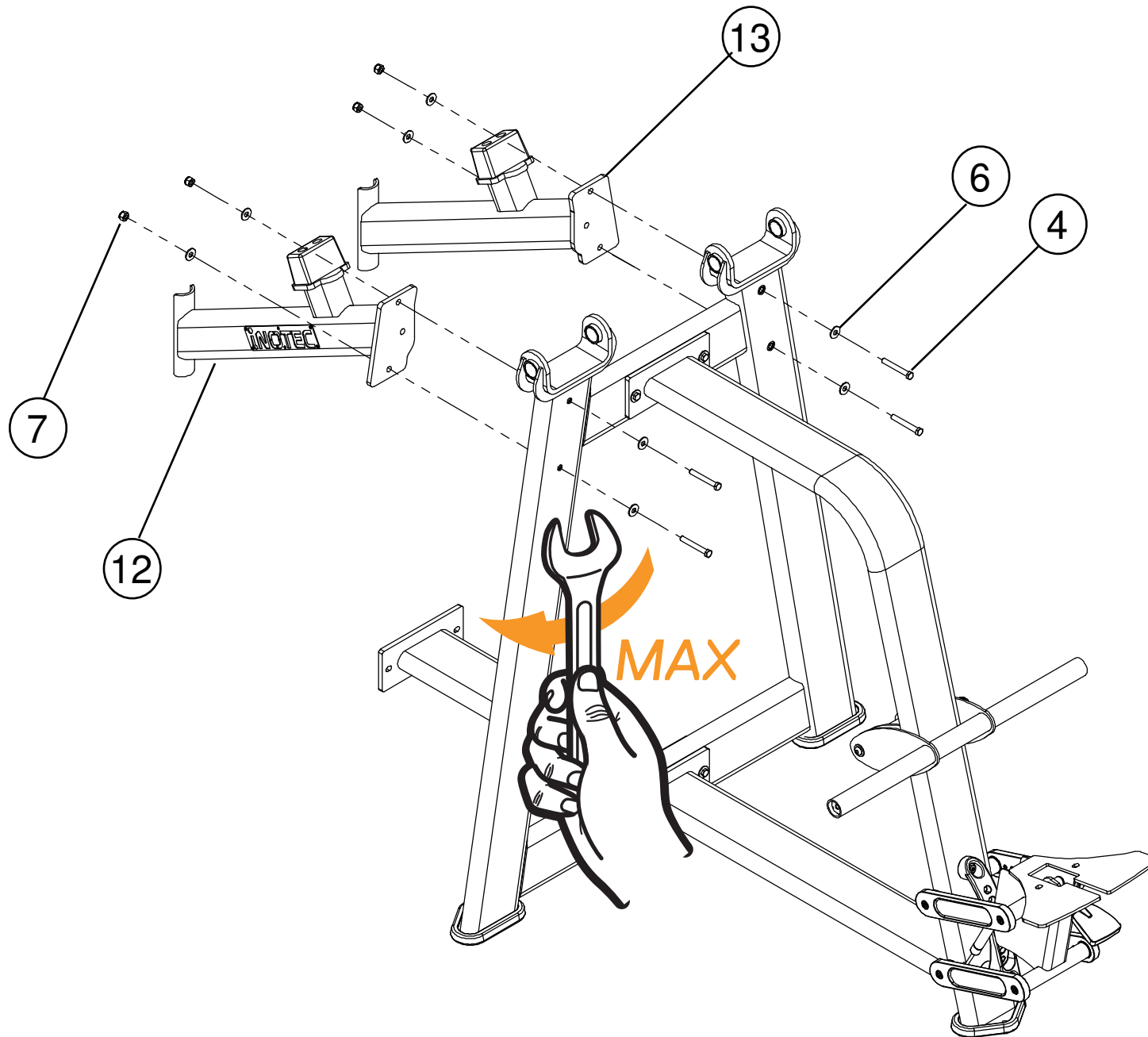
STEP 1



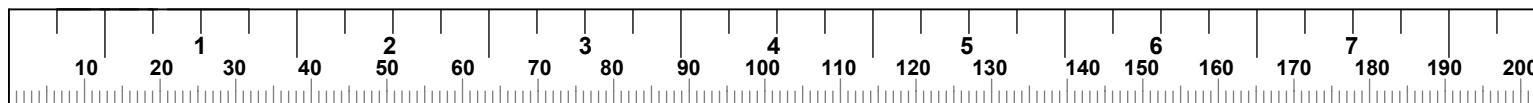
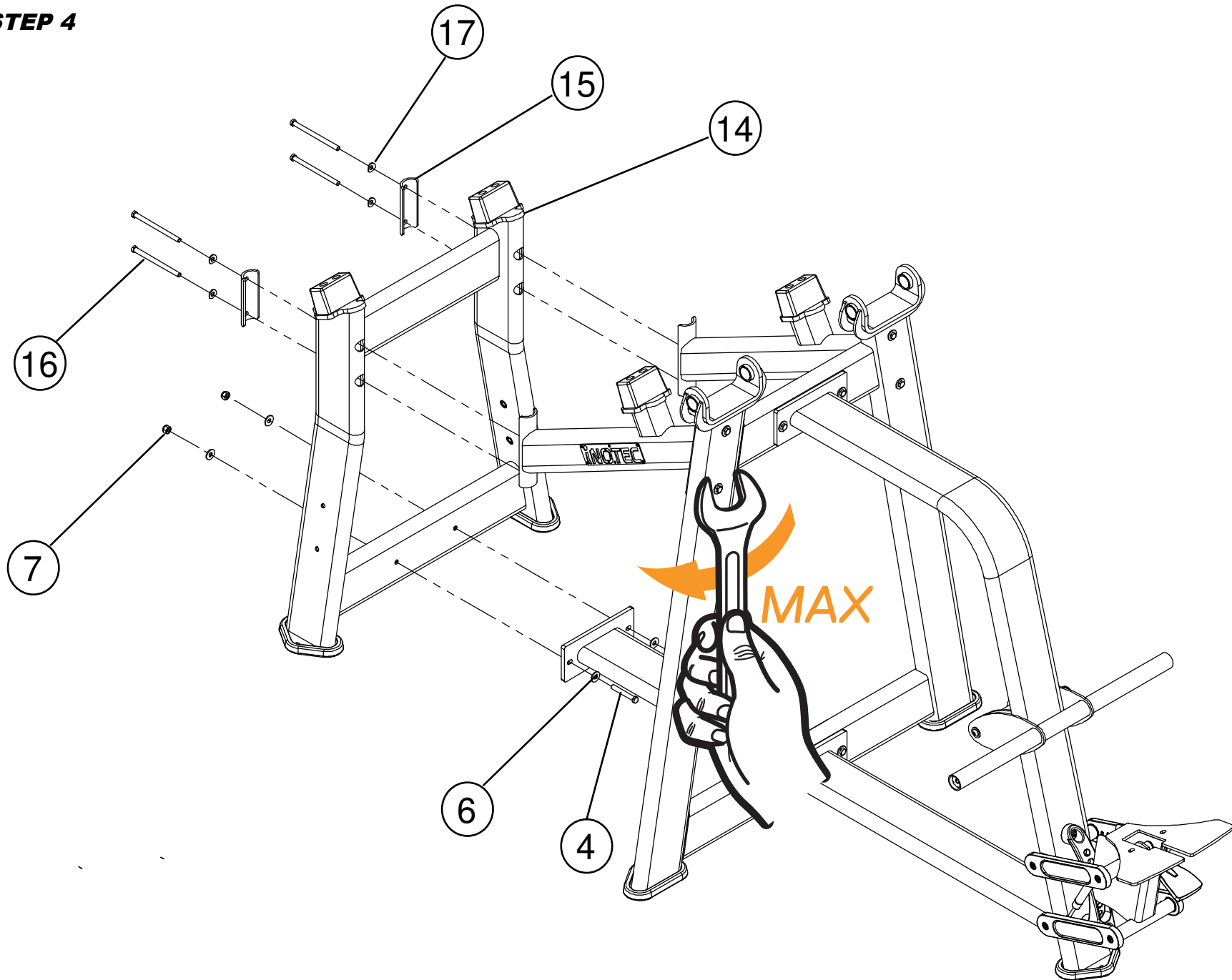
STEP 2



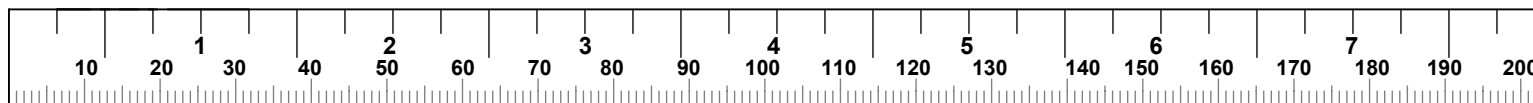
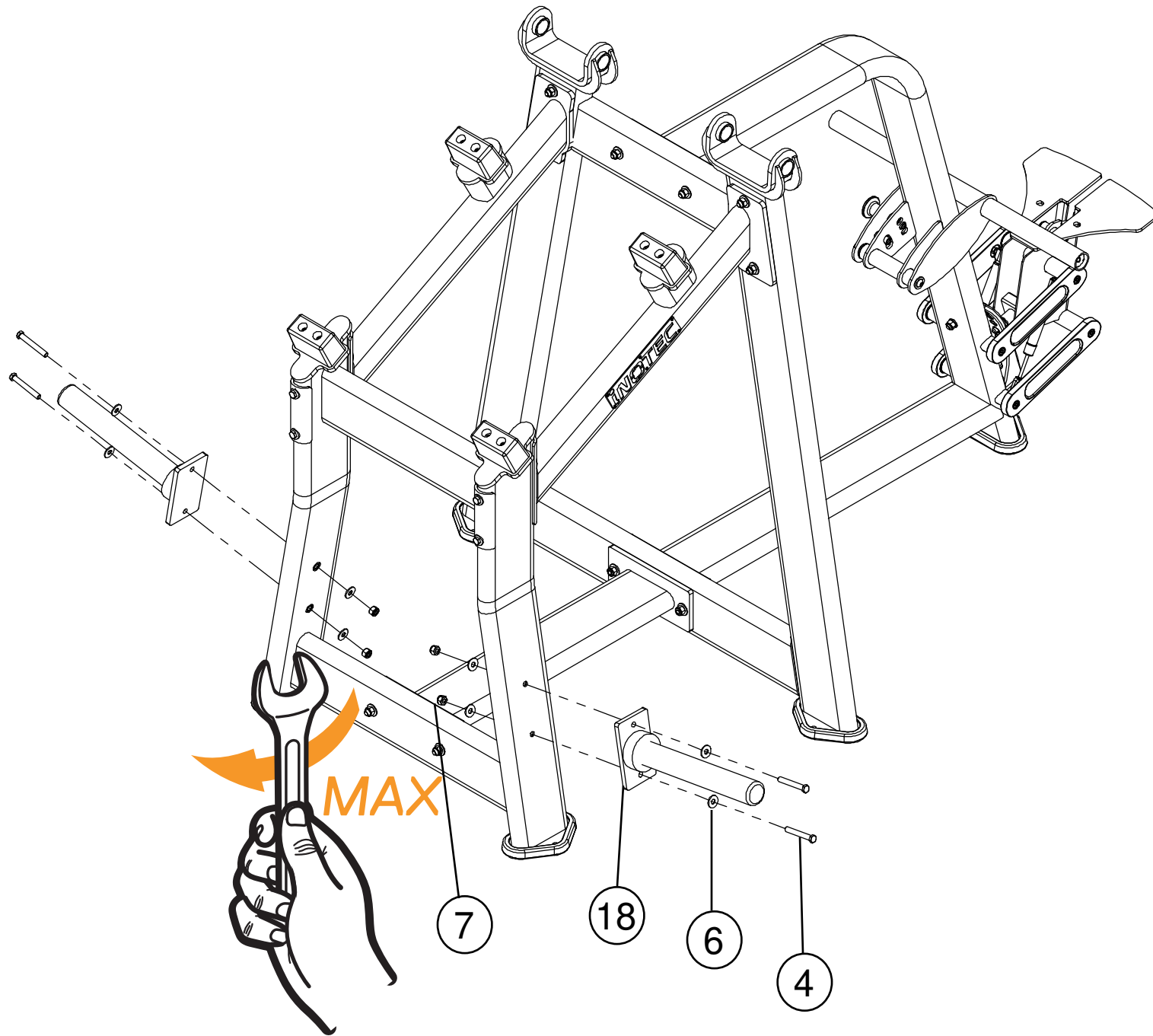
STEP 3



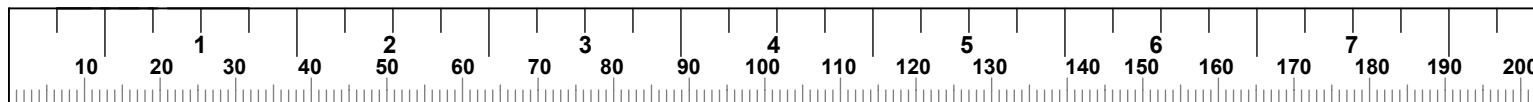
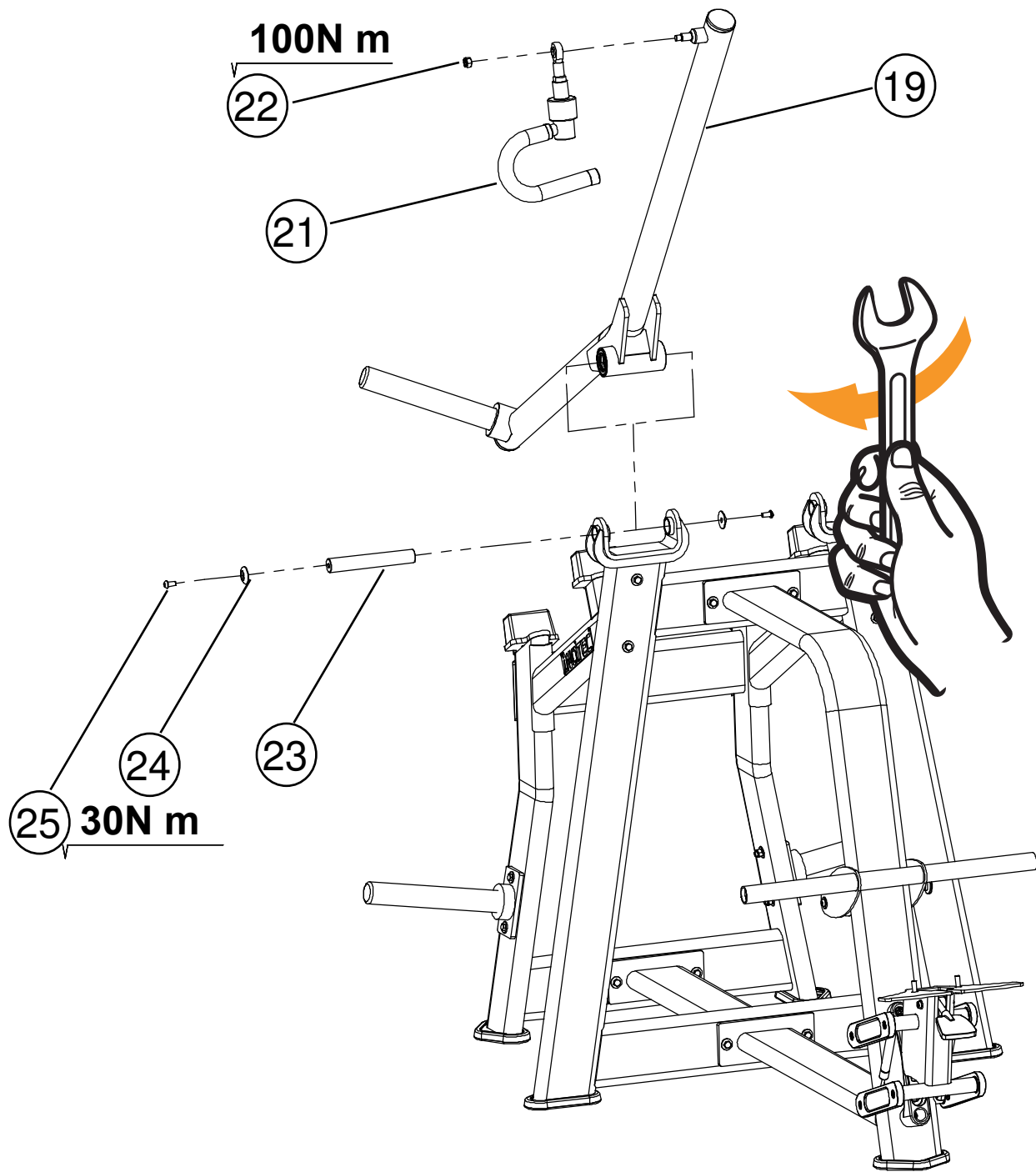
STEP 4



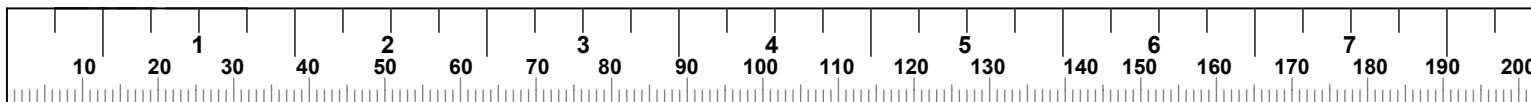
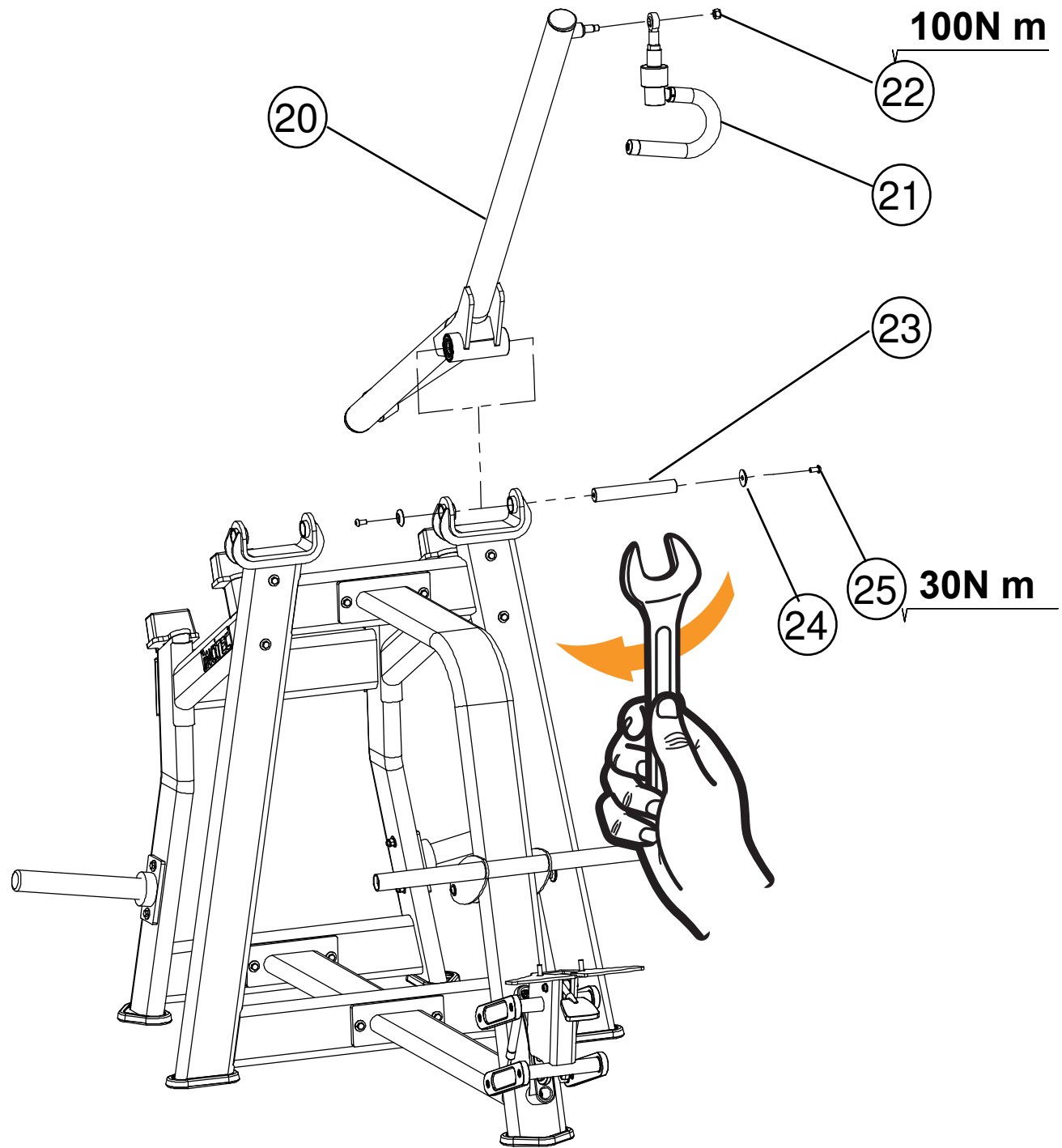
STEP 5



STEP 6



STEP 7



STEP 8

