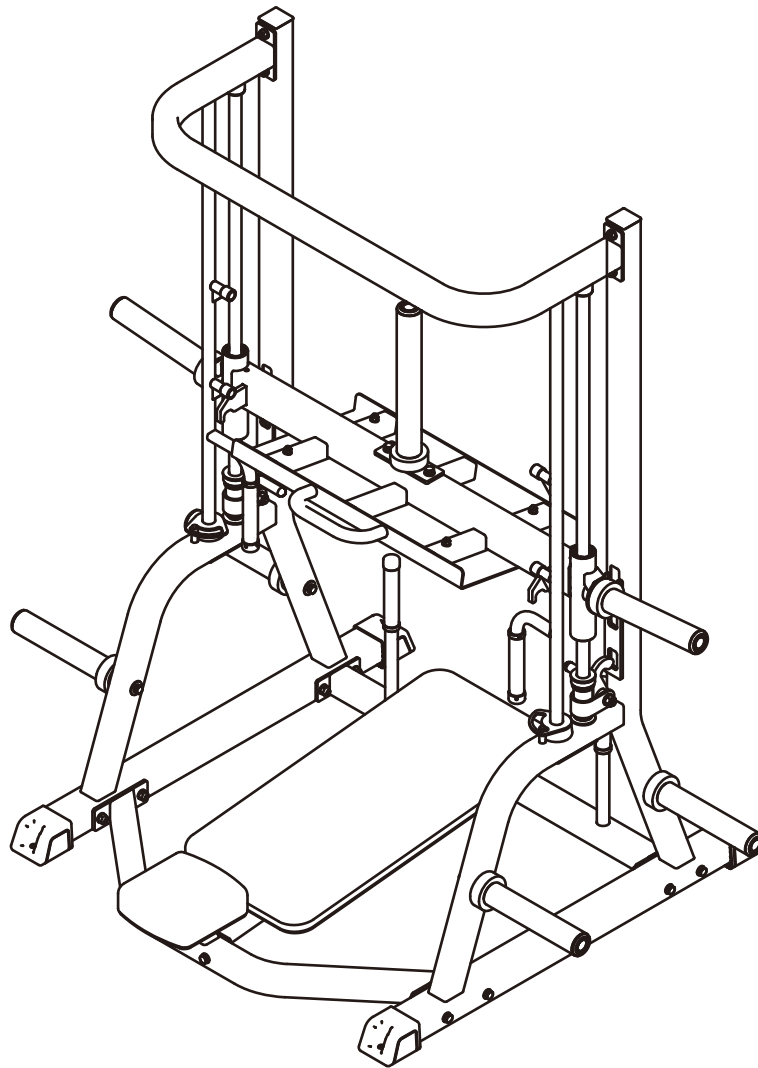


Инструкция

Вертикальный жим ногами Impulse IFP1613

Полезные ссылки:

[Вертикальный жим ногами Impulse IFP1613 - смотреть на сайте](#)



IFP1613

Vertical Leg Press

OWNER'S MANUAL

22N

CAUTION! Read all precautions and instructions in this manual before using this equipment.

Table Of Contents

CAUTION!

Read all precautions and instructions in this manual before using this equipment.

| | |
|--------------------------------------|----|
| Important Safety Instructions----- | 3 |
| Instructions----- | 5 |
| Exploded View and Parts List----- | 6 |
| Measurement Guide----- | 14 |
| Assembly Instructions----- | 15 |
| Assembly----- | 16 |
| Adjust and Exercise Instruction----- | 19 |
| Maintenance Schedule----- | 20 |
| General Maintenance Information----- | 21 |
| Weight Training Tips----- | 22 |

Important Safety Instructions

Before beginning any fitness program, you should obtain a complete physical examination from your physician. When using exercise equipment, basic precautions should always be taken, including the following:

1. Read all instructions before using the equipment.
These instructions are written to ensure your safety and to protect the unit.
2. Use the equipment only for its intended purpose as described in this guide.
Do not use accessory attachments that are not recommended by the manufacturer: such attachments might cause injuries.
3. The product should only be used on a level surface and is with 0.6 meters space around the product.
Do not use the equipment outdoors.
4. Do not allow children on or near the equipment. And children are not allowed to use this equipment.
Teenagers should use this equipment with adult supervision.
5. Do not overexert yourself or work to exhaustion.
Do not attempt to lift more weight than you can control safely.
If you feel any pain or abnormal symptoms, stop your workout immediately and consult your physician.
6. This equipment is not used as medical apparatus and instruments.
7. Never operate the unit when it has been dropped or damaged.
Never drop or insert anything into any opening in the equipment.
Always check the unit and its cables before each use. Make sure that all fasteners and cables are secure and in good working condition.
Frayed or worn cables can be dangerous and may cause injury. Periodically check these cables for any indication of wear.
Keep hands, limbs, loose clothing and long hair well out of the way of moving parts.
8. Be careful when getting on or off the equipment.
9. Wear proper exercise clothing and shoes for your workout, no loose clothing.

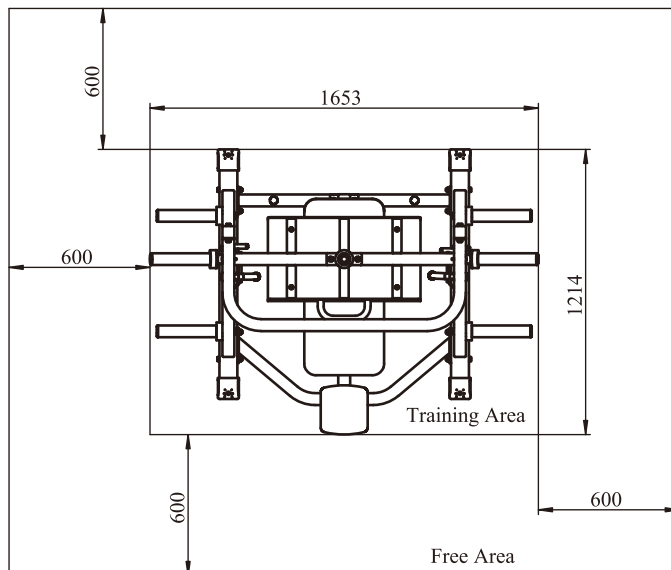
Important Safety Instructions

Personal Safety During Assembly

Read each step in the assembly instructions and follow the steps in sequence. Do not skip ahead. If you skip ahead, you may learn later that you have to disassemble components and that you may have damaged the equipment.

Assemble and operate the equipment on a solid, level surface. Locate the unit a few feet from walls or furniture to provide easy access. The equipment is designed for your enjoyment. By following these precautions and using common sense, you will have many safe and pleasurable hours of healthful exercise with the equipment.

Training Area and Free Area



Specifications

Class: S

Maximum Wt. Capacity: 2*100kg/ 2*220lbs+150kg/ 330lbs

Maximum User Weight: 150kg/ 330lbs

Product Dimension: 1653*1214*1711mm

Product Total Surface: 1653*1214mmmm

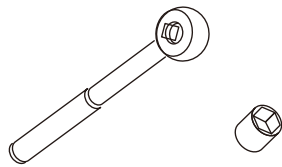
Product Total Mass:

Instructions

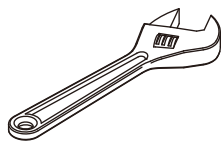
Before beginning assembly please take the time to read instructions thoroughly. Please use the various lists in this manual to make sure that all parts have been included in your shipment. When ordering, use part number and description from the lists. Use only our replacement part when servicing. Failure to do so will void your warranty and could result in personal injury.

The equipment is designed to provide the smoothest, most effective exercise motion possible. After assembly, you should check all functions to ensure correct operation. If you experience problems, first recheck the assembly instructions to locate any possible errors made during assembly. If you are unable to correct the problem, call your authorized dealer. Be sure to have your serial number and this manual when calling. When all parts have been accounted for, continue on.

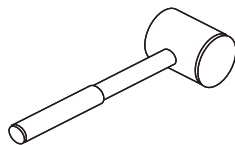
Tools Required



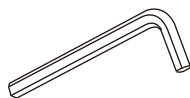
Ratchet Wrench and Socket



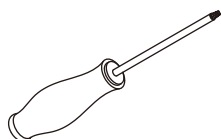
Adjustable Wrench



Rubber Mallet



Hex Key Wrench Set



Phillips Screwdriver

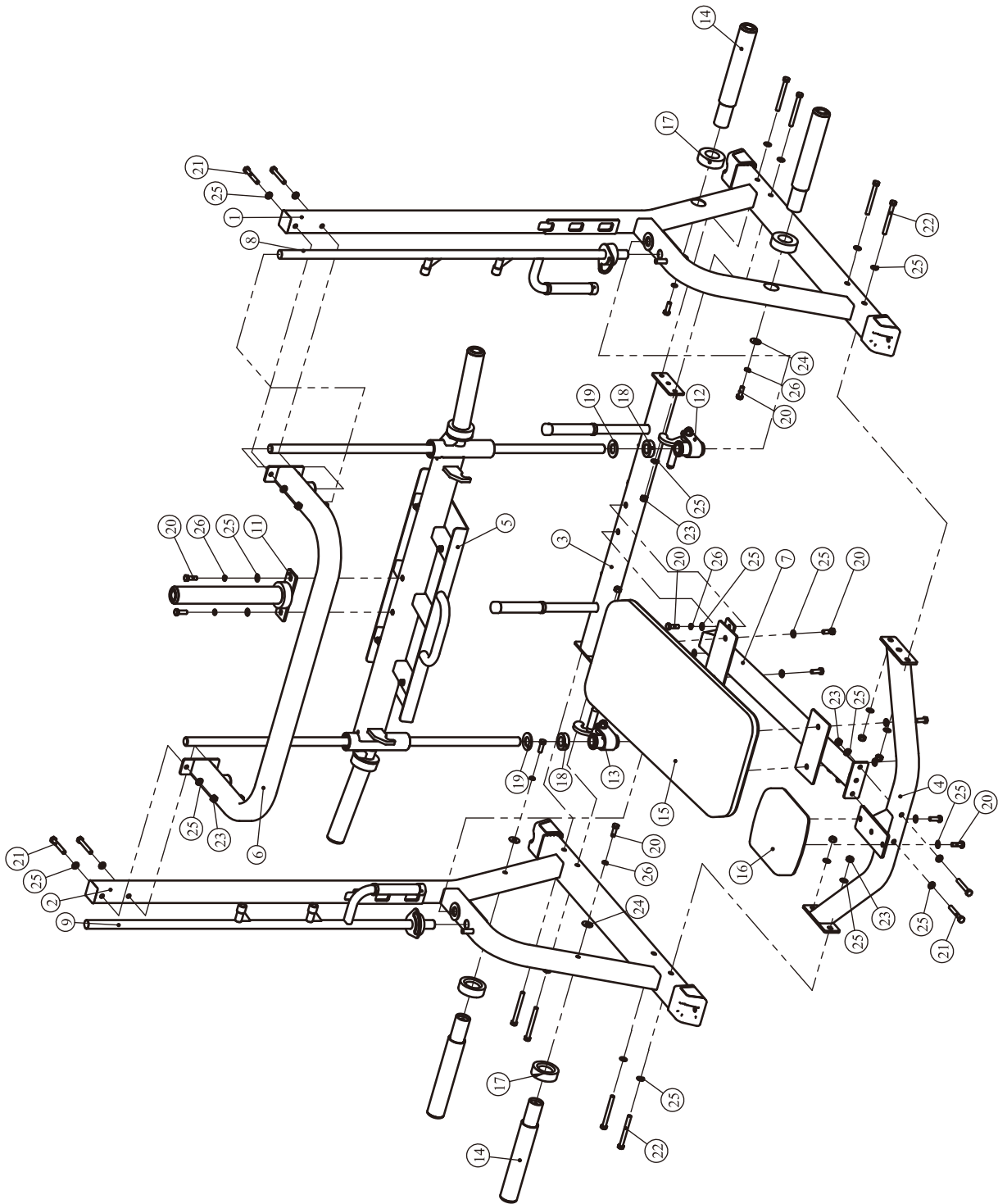
Exploded View and Parts List

Overall

| Item No. | Part No. | Description | QTY |
|----------|--------------------|---|-----|
| 1 | IFP161301ASSY | Upright Frame I ASSY | 1 |
| 2 | IFP161302ASSY | Upright Frame II ASSY | 1 |
| 3 | IFP161303ASSY | Handle Frame ASSY | 1 |
| 4 | IFP16130400 | Front Connecting Frame | 1 |
| 5 | IFP161305ASSY | Sliding Frame ASSY II | 1 |
| 6 | IFP161306ASSY | Upper Connection Frame ASSY | 1 |
| 7 | IFP16130700 | Back Pad Support Frame | 1 |
| 8 | IFP161308ASSY | Rotating Frame I ASSY | 1 |
| 9 | IFP161309ASSY | Rotating Frame II ASSY | 1 |
| 10 | IFP16131100 | Guide $\Phi 25 \times 1124$ | 2 |
| 11 | IFP161312ASSY | Long Barbell Frame ASSY | 1 |
| 12 | IFP161313ASSY | Sliding Safety Frame ASSY I | 1 |
| 13 | IFP161314ASSY | Sliding Safety Frame ASSY II | 1 |
| 14 | IFP161316ASSY | Barbell Frame ASSY | 4 |
| 15 | IFP16133700 | Back Pad | 1 |
| 16 | SL95081100V1 | Head Pad | 1 |
| 17 | HF985A1500 | Bumper $\Phi 76 \times \Phi 42 \times 25$ | 4 |
| 18 | KPSHCS2600 | Bumper $\Phi 48 \times \Phi 26 \times 15$ | 2 |
| 19 | PBA20096 | Baffle Ring | 2 |
| 20 | GB5781M10*30DHS20 | Hex Head Cap Screw M10*30 | 14 |
| 21 | GB5780M10*70DHS20 | Hex Head Cap Screw M10*70 | 6 |
| 22 | GB5780M10*100DHS20 | Hex Head Cap Screw M10*100 | 8 |
| 23 | NM10DHS2 | Nylon Lock Nut M10 | 14 |
| 24 | DQ10DHS2C | Flat Washer $\Phi 11 \times \Phi 30 \times 2$ | 4 |
| 25 | GB9510DHS2 | Flat Washer $\Phi 11 \times \Phi 20 \times 2$ | 38 |
| 26 | GB9310DHS12 | Spring Washer $\Phi 10$ | 8 |
| 27 | YHY | lube | 1 |

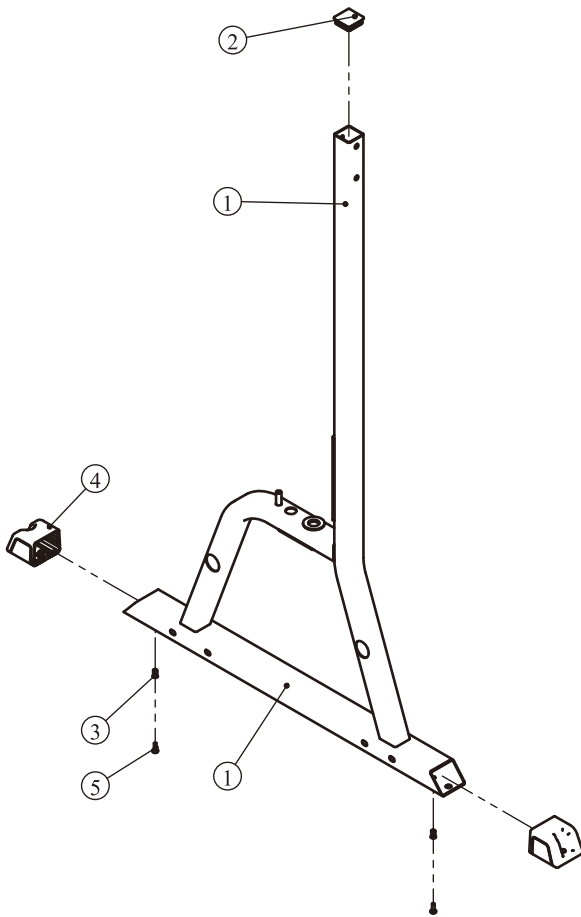
Exploded View and Parts List

Overall

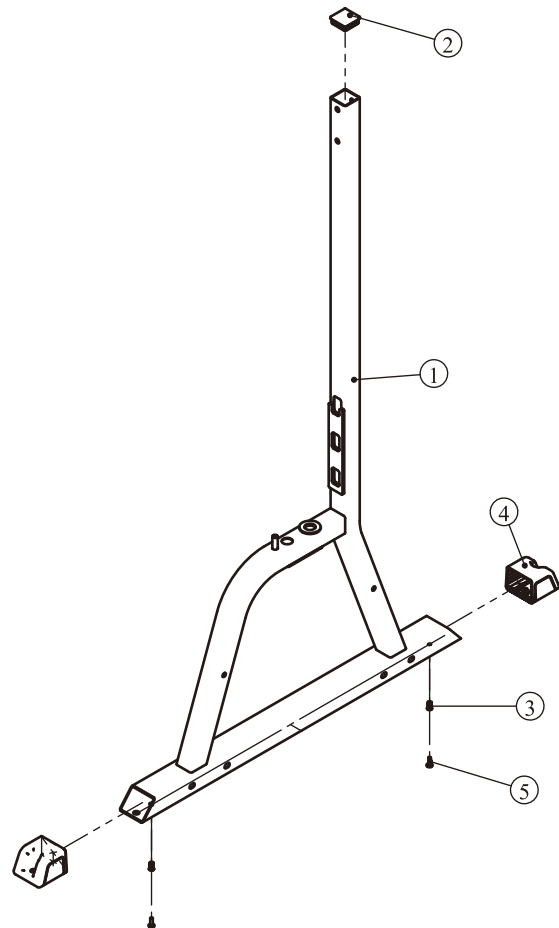


Exploded View and Parts List

Upright Frame I ASSY



Upright Frame II ASSY

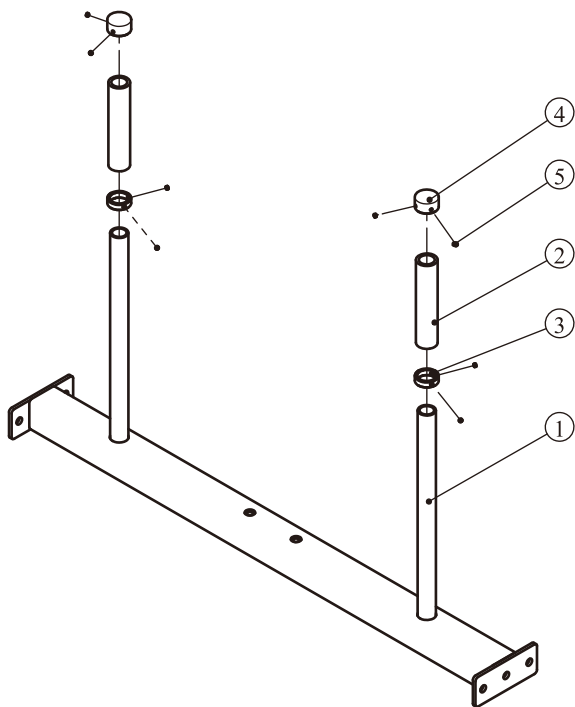


| Grade No. | Part No. | Description | QTY |
|-----------|----------------------|-------------------------------------|-----|
| 1.1 | IFP16130100 | Upright Frame I | 1 |
| 1.2 | KPSFID3000 | Plug □50.8 | 1 |
| 1.3 | GB17880.5M6*16.5DS17 | Rivet Nut M6 | 2 |
| 1.4 | IFP12013300 | Bottom Foot Plug | 2 |
| 1.5 | GB818M6*20DHS2 | Cross Recessed Pan Head Screw M6*20 | 2 |

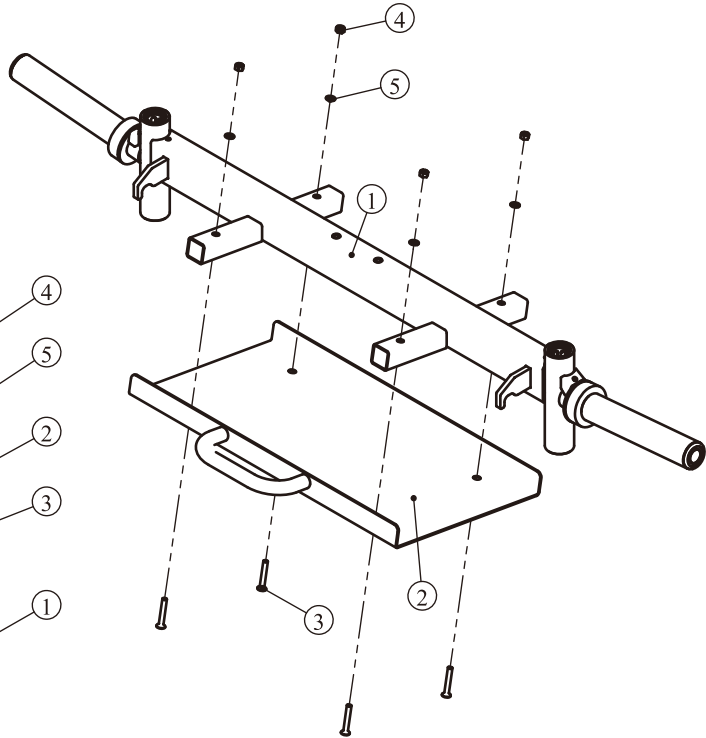
| Grade No. | Part No. | Description | QTY |
|-----------|----------------------|-------------------------------------|-----|
| 2.1 | IFP16130200 | Upright Frame II | 1 |
| 2.2 | KPSFID3000 | Plug □50.8 | 1 |
| 2.3 | GB17880.5M6*16.5DS17 | Rivet Nut M6 | 2 |
| 2.4 | IFP12013300 | Bottom Foot Plug | 2 |
| 2.5 | GB818M6*20DHS2 | Cross Recessed Pan Head Screw M6*20 | 2 |

Exploded View and Parts List

Handle Frame ASSY



Sliding Frame ASSY II

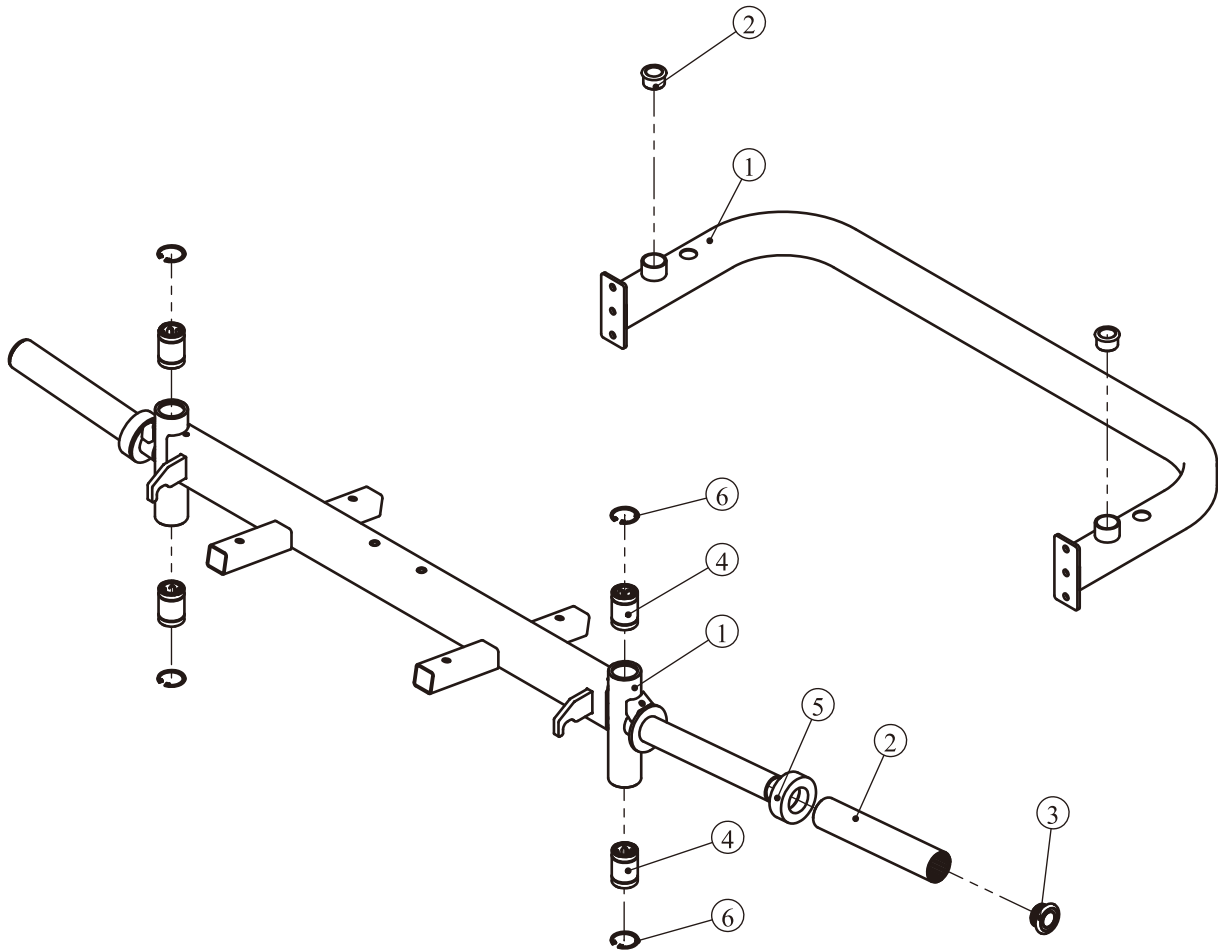


| Grade No. | Part No. | Description | QTY |
|-----------|--------------------|-------------------------------|-----|
| 3.1 | IFP16130300 | Handle Frame | 1 |
| 3.2 | FE97031800 | Grip | 2 |
| 3.3 | V39500 | Aluminum Grip Ring | 2 |
| 3.4 | V39600 | Aluminum Grip Cap | 2 |
| 3.5 | YZGB7710-32*3.2N19 | Socket Set Screw 10-32UNF*3.2 | 8 |

| Grade No. | Part No. | Description | QTY |
|-----------|-----------------|--------------------------------------|-----|
| 5.1 | IFP16130500ASSY | Sliding Frame ASSY I | 1 |
| 5.2 | IFP16131000 | Pedal Frame | 1 |
| 5.3 | CNLM8*55DHS20 | Flat Head Cap Screw M8*55 | 4 |
| 5.4 | NM8DHS2 | Nylon Lock Nut M8 | 4 |
| 5.5 | GB958DHS2 | Flat Washer $\Phi 9 * \Phi 16 * 1.6$ | 4 |

Exploded View and Parts List

Sliding Frame ASSY I Upper Connection Frame ASSY

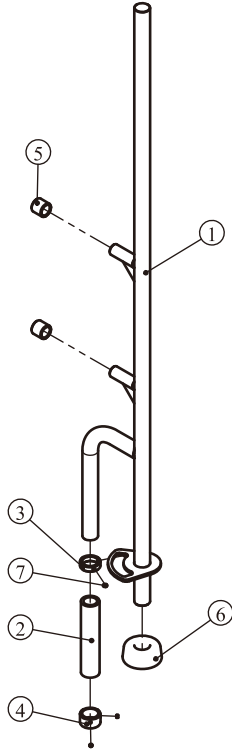


| Grade No. | Part No. | Description | QTY |
|-----------|---------------|---------------------------------|-----|
| 5.1.1 | IFP16130500 | Sliding Frame | 1 |
| 5.1.2 | IFP12013400 | Weight Horn Sleeve | 2 |
| 5.1.3 | IFP12013500 | Plug $\Phi 49$ | 2 |
| 5.1.4 | LM25UU | Linear Bearing | 4 |
| 5.1.5 | HF985A1500 | Bumper $\Phi 76 * \Phi 42 * 25$ | 2 |
| 5.1.6 | GB893.140FH12 | Circlip for Hole | 4 |

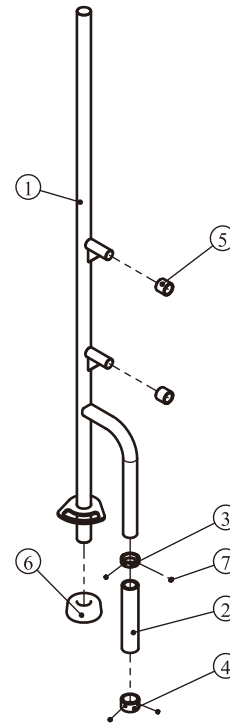
| Grade No. | Part No. | Description | QTY |
|-----------|-------------|------------------------|-----|
| 6.1 | IFP16130600 | Upper Connection Frame | 1 |
| 6.2 | KPSHCS2700 | Rubber Sleeve | 2 |

Exploded View and Parts List

Rotating Frame I ASSY



Rotating Frame II ASSY

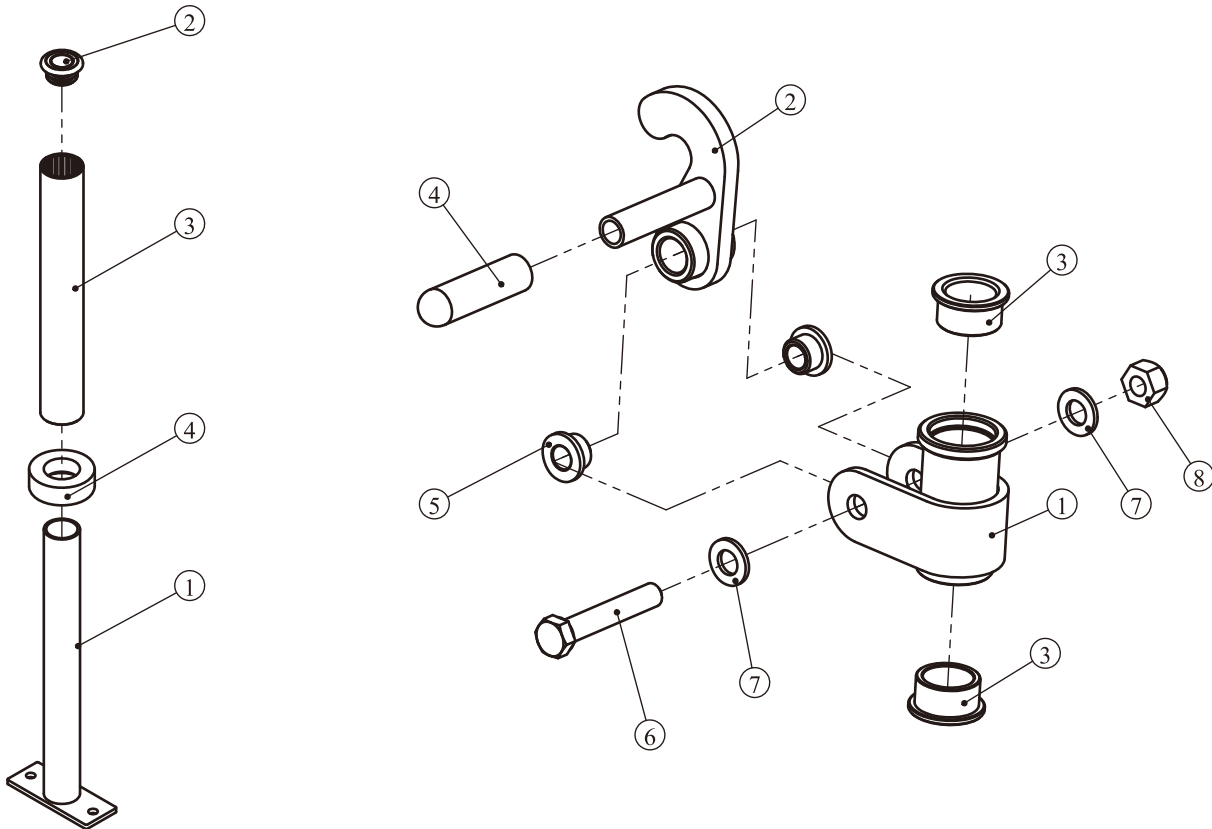


| Grade No. | Part No. | Description | QTY |
|-----------|--------------------|-------------------------------|-----|
| 8.1 | IFP16130800 | Rotating Frame I | 1 |
| 8.2 | FE97031800 | Grip | 1 |
| 8.3 | V39500 | Aluminum Grip Ring | 1 |
| 8.4 | V39600 | Aluminum Grip Cap | 1 |
| 8.5 | BH97213100 | Stop Collar | 2 |
| 8.6 | BNH0062-1 | Bumper | 1 |
| 8.7 | YZGB7710-32*3.2N19 | Socket Set Screw 10-32UNF*3.2 | 4 |

| Grade No. | Part No. | Description | QTY |
|-----------|--------------------|-------------------------------|-----|
| 9.1 | IFP16130900 | Rotating Frame II | 1 |
| 9.2 | FE97031800 | Grip | 1 |
| 9.3 | V39500 | Aluminum Grip Ring | 1 |
| 9.4 | V39600 | Aluminum Grip Cap | 1 |
| 9.5 | BH97213100 | Stop Collar | 2 |
| 9.6 | BNH0062-1 | Bumper | 1 |
| 9.7 | YZGB7710-32*3.2N19 | Socket Set Screw 10-32UNF*3.2 | 4 |

Exploded View and Parts List

Long Barbell Frame ASSY Sliding Safety Frame ASSY I



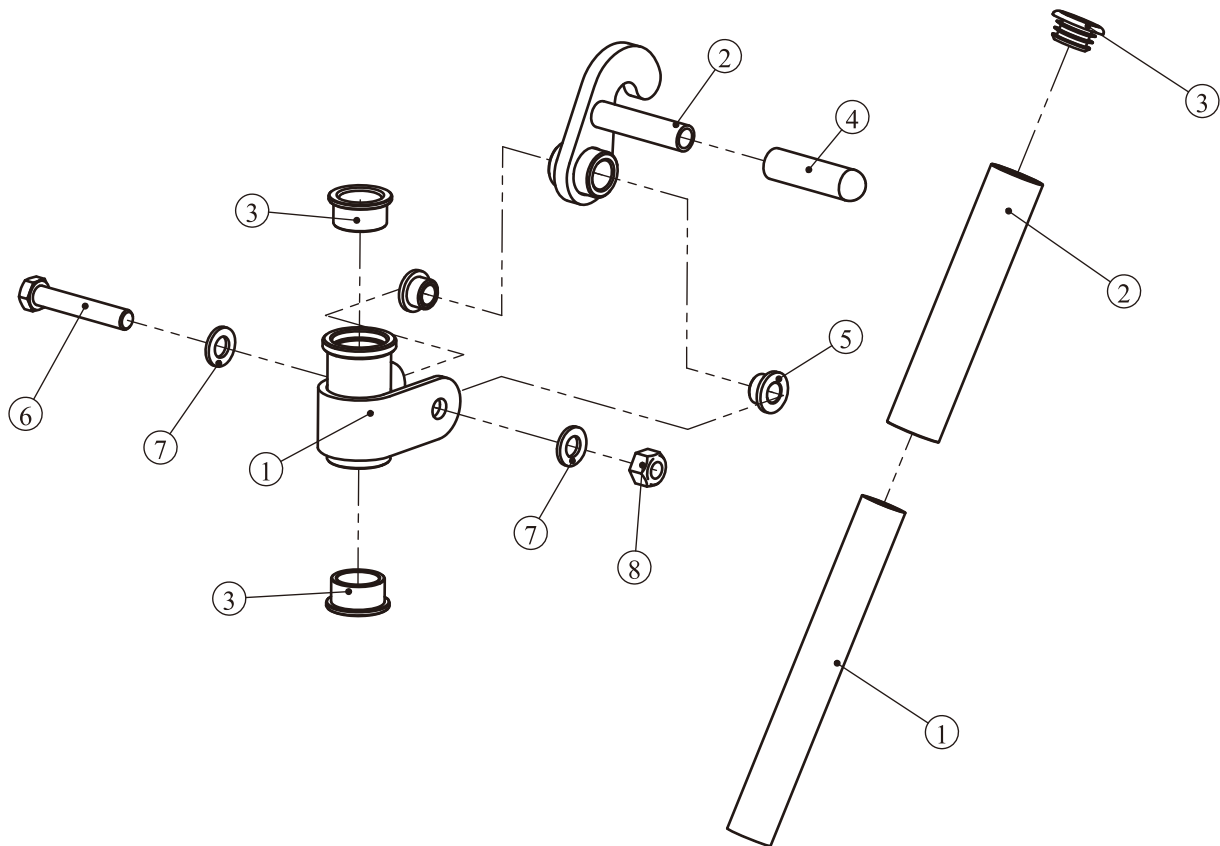
| Grade No. | Part No. | Description | QTY |
|-----------|-------------|---------------------------------|-----|
| 11.1 | IFP16131200 | Long Barbell Frame | 1 |
| 11.2 | IFP12013500 | Plug $\Phi 49$ | 1 |
| 11.3 | IFP16053000 | Weight Horn Sleeve | 1 |
| 11.4 | HF985A1500 | Bumper $\Phi 76 * \Phi 42 * 25$ | 1 |

| Grade No. | Part No. | Description | QTY |
|-----------|-------------------|---------------------------------------|-----|
| 12.1 | IFP16131300 | Sliding Safety Frame | 1 |
| 12.2 | IFP16131400 | Safety Hook Frame I | 1 |
| 12.3 | ES20003400 | Nylon Bushing | 2 |
| 12.4 | CG50001700 | Adjustable Back Pad Grip | 1 |
| 12.5 | M01402000 | Barbell Plug Bumper | 2 |
| 12.6 | GB5780M12*70DHS20 | Hex Head Cap Screw M12*70 | 1 |
| 12.7 | GB9512DHS2 | Flat Washer $\Phi 13 * \Phi 24 * 2.5$ | 2 |
| 12.8 | NM12DHS2 | Nylon Lock Nut M12 | 1 |

Exploded View and Parts List

Sliding Safety Frame ASSY II

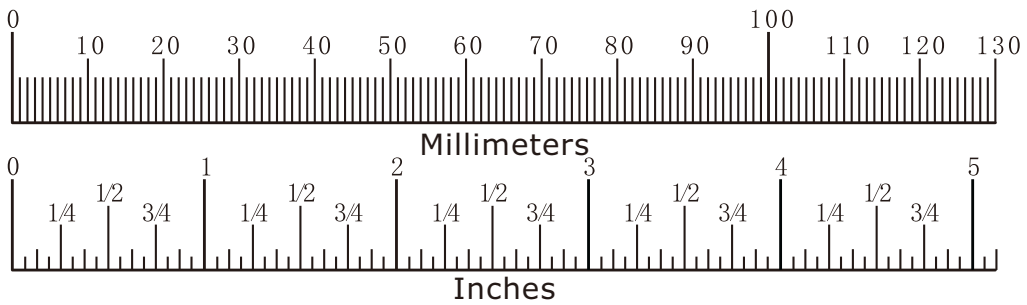
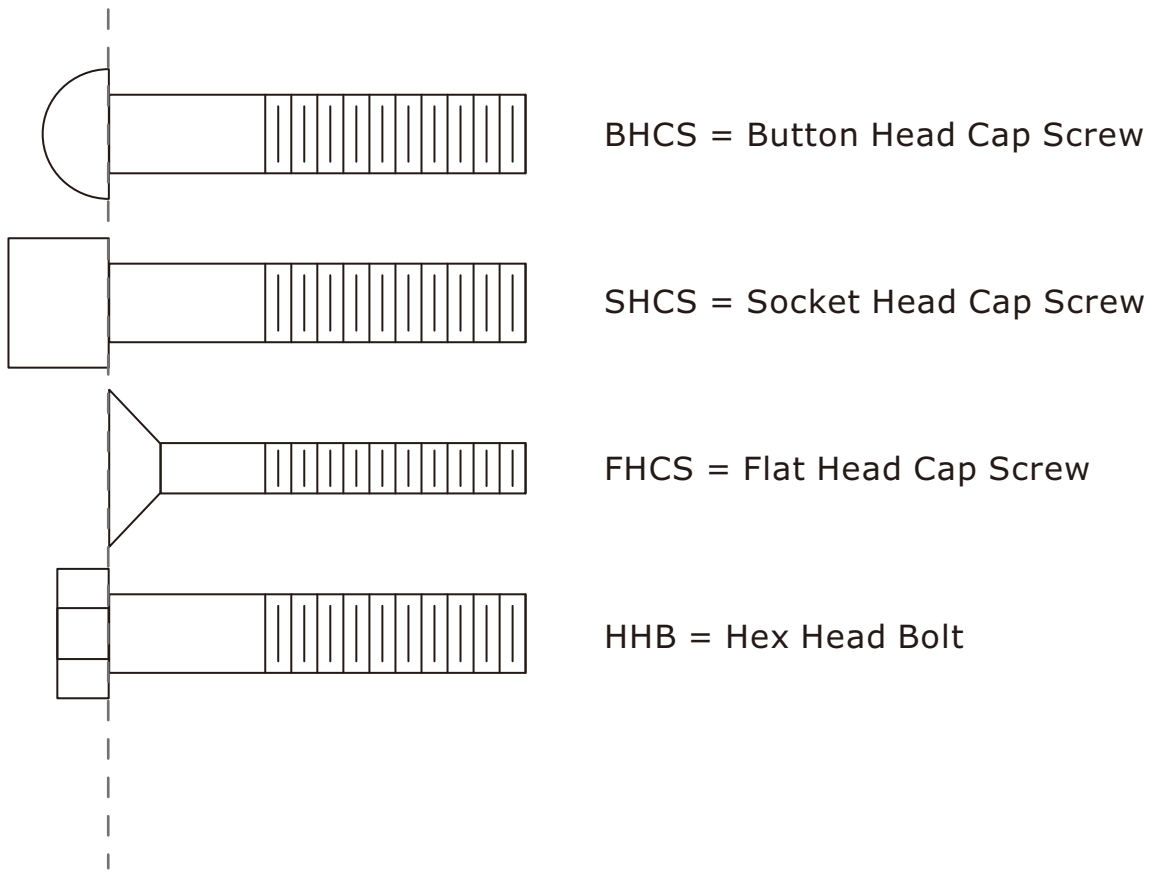
Barbell Frame ASSY



| Grade No. | Part No. | Description | QTY |
|-----------|-------------------|-----------------------------------|-----|
| 13.1 | IFP16131300 | Sliding Safety Frame | 1 |
| 13.2 | IFP16131500 | Safety Hook Frame II | 1 |
| 13.3 | ES20003400 | Nylon Bushing | 2 |
| 13.4 | CG50001700 | Adjustable Back Pad Grip | 1 |
| 13.5 | M01402000 | Barbell Plug Bumper | 2 |
| 13.6 | GB5780M12*70DHS20 | Hex Head Cap Screw M12*70 | 1 |
| 13.7 | GB9512DHS2 | Flat Washer $\Phi 13*\Phi 24*2.5$ | 2 |
| 13.8 | NM12DHS2 | Nylon Lock Nut M12 | 1 |

| Grade No. | Part No. | Description | QTY |
|-----------|-------------|--------------------|-----|
| 14.1 | IFP16131600 | Barbell Frame | 1 |
| 14.2 | IFP12013400 | Weight Horn Sleeve | 1 |
| 14.3 | IFP12013500 | Plug $\Phi 49$ | 1 |

Measurement Guide



| Diameter of bolt (mm/inch) | M6(1/4") | M8(5/16") | M10(3/8") | M12(1/2") | M16(5/8") |
|-----------------------------------|---------------------------|---------------------------------------|--------------------------------|--|-------------------|
| Tightening torque (N.m) | 9~12 | 22~30 | 45~59 | 78~104 | 193~257 |
| Operational methods for adult men | The strength of the wrist | The strength of the wrist and forearm | The strength of the entire arm | The strength of the arm and upper body | with all strength |

Assembly Instructions

Assembly of the equipment takes professional installers about 2 hours. If this is the first time you have assembled this type of equipment, plan to spend more time. It is strongly recommended to assemble the equipment by professional installers. You may find it quicker, safer, easier to assemble this equipment with the help of a friend, as some of components may be large, heavy or awkward to handle alone. It is important that you assemble your product in a clean, clear, uncluttered area. This will enable you to move around the product while you are fitting components and reduce the possibility of injury during assembly.

NOTE

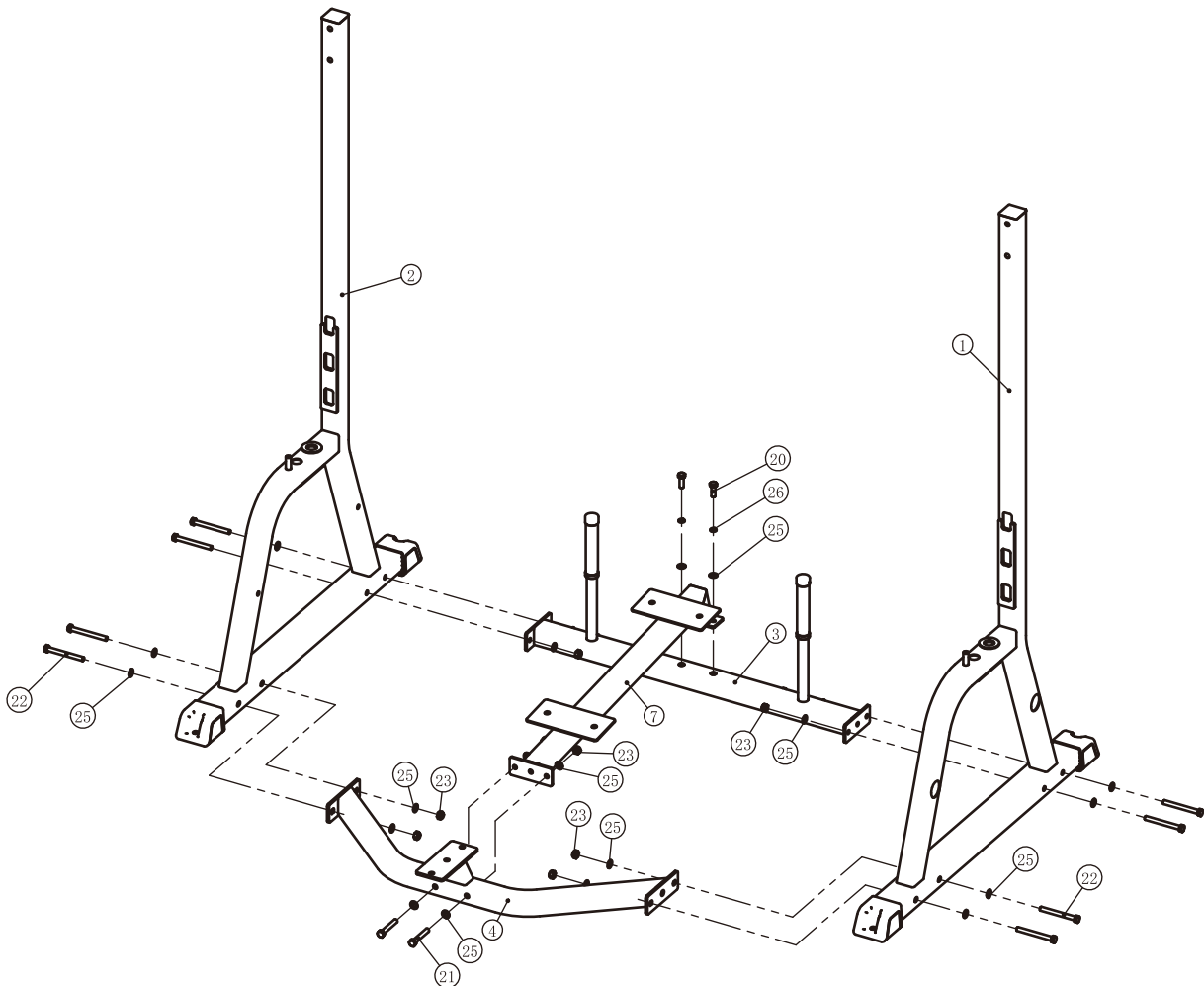
As with any assembled part, proper alignment and adjustment is critical. While tightening the fasteners, be sure to leave room for adjustments. Do not fully tighten the fasteners until instructed to do so. Be careful to assemble the components in the sequence presented in this guide.

Assembly

STEP 1

1. Attach the Handle Frame ASSY (#3) and the Front Connecting Frame (#4) to the Upright Frame I ASSY (#1) and the Upright Frame II ASSY (#2) using:
 - eight M10*100 HHB (#22)
 - sixteen $\Phi 11*\Phi 20*2$ Flat Washer (#25)
 - eight Nylon Lock Nut M10 (#23)
2. Attach the Back Pad Support Frame (#7) to the Handle Frame ASSY (#3) and the Front Connecting Frame (#4) using:
 - two M10*70 HHB (#21)
 - two M10*30 HHB (#20)
 - six $\Phi 11*\Phi 20*2$ Flat Washer (#25)
 - two Nylon Lock Nut M10 (#23)
 - two $\Phi 10$ Spring Washer (#26)

Note: DO NOT tighten the hardware.

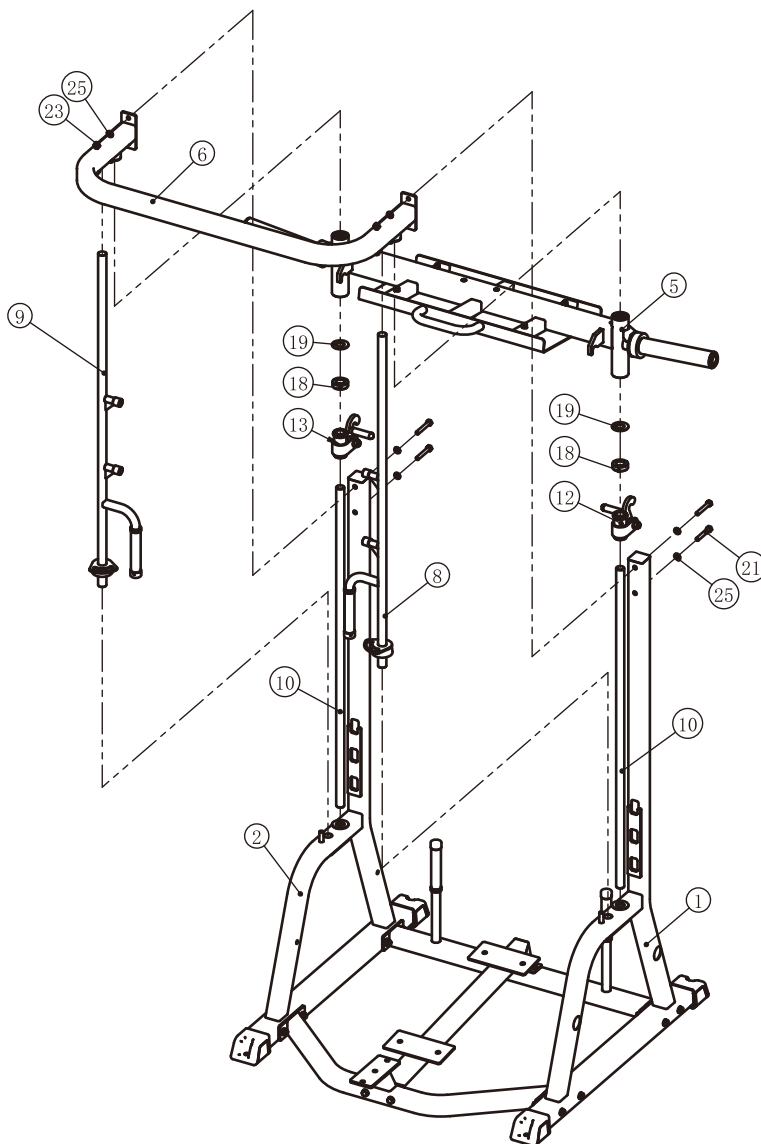


Assembly

STEP 2

1. Attach two Guide (#10), one Rotating Frame I ASSY (#8) and the Rotating Frame II ASSY (#9) to the Upright Frame I ASSY (#1) and the Upright Frame II ASSY (#2).
2. Attach the Sliding Frame ASSY II (#5) to the Guide (#10) Using:
two Baffle Ring (#19) two Bumper $\Phi 48*\Phi 26*15$ (#18)
one Sliding Safety Frame ASSY I(#12) one Sliding Safety Frame ASSY II(#13)
3. Attach the Upper Connection Frame ASSY (#6) to the Upright Frame I ASSY (#1) and the Upright Frame II ASSY (#2) Using:
four M10*70 HHB (#21) eight $\Phi 11*\Phi 20*2$ Flat Washer (#25)
four Nylon Lock Nut M10 (#23)

Note: Wrench Tighten Bolts and Nylon Lock Nuts.



Assembly

STEP 3

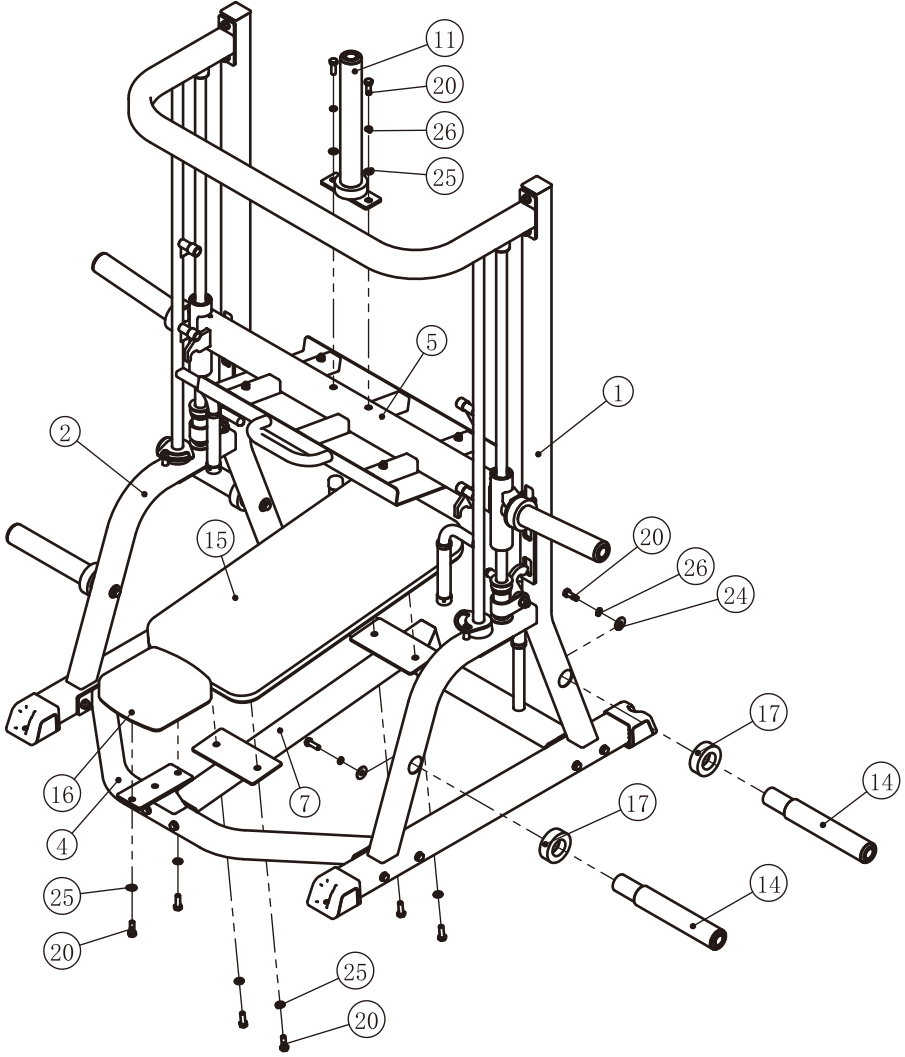
- 1. Attach the Long Barbell Frame ASSY (#11) to the Sliding Frame ASSY II (#5) using:
 - two M10*30 HHB (#20) two $\Phi 11*\Phi 20*2$ Flat Washer (#25)
 - two $\Phi 10$ Spring Washer (#26)

- 2. Attach four Barbell Frame ASSY (#14) to the Upright Frame I ASSY (#1) and the Upright Frame II ASSY (#2) using:
 - four M10*30 HHB (#20) four $\Phi 11*\Phi 30*2$ Flat Washer (#24)
 - four $\Phi 10$ Spring Washer (#26)

- 3. Attach the Head Pad (#16) to the Front Connecting Frame (#4) using:
 - two M10*30 HHB (#20) two $\Phi 11*\Phi 20*2$ Flat Washer (#25)

- 4. Attach the Back Pad (#15) to the Back Pad Support Frame (#7) using:
 - four M10*30 HHB (#20) four $\Phi 11*\Phi 20*2$ Flat Washer (#25)

Note: Wrench Tighten Bolts and Nylon Lock Nuts.



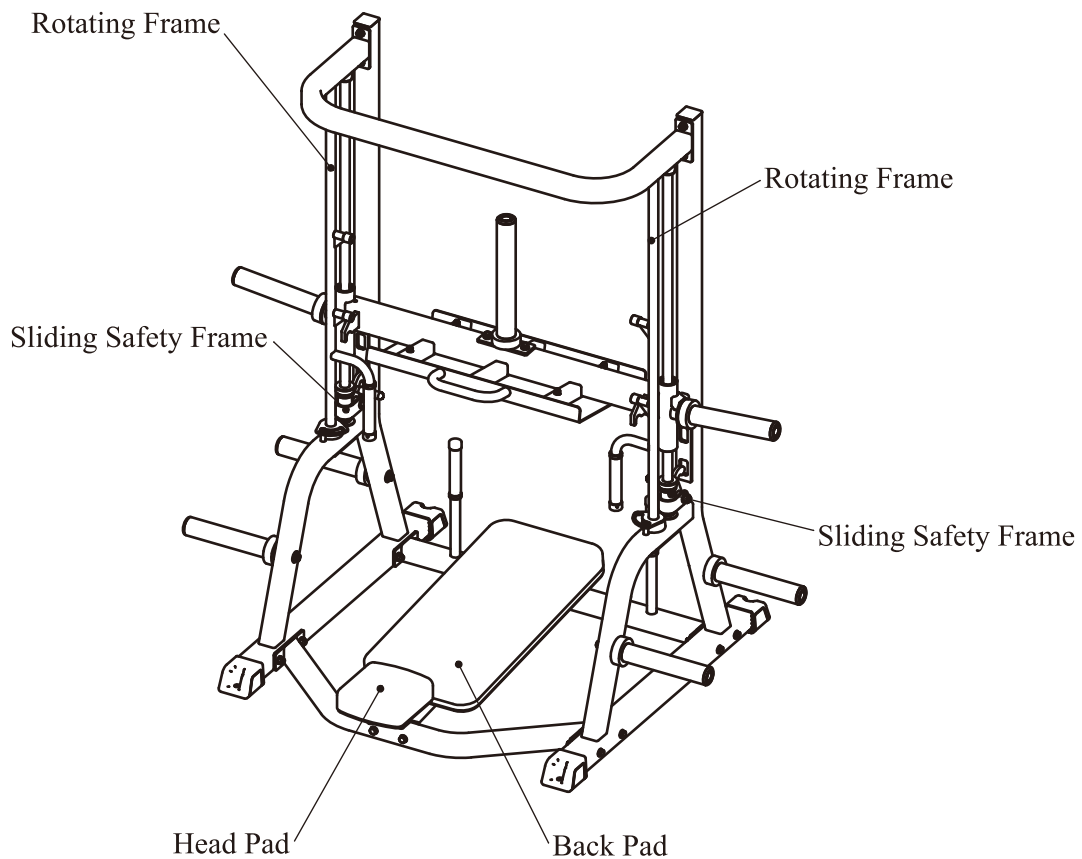
Adjust and Exercise Instruction

Sliding Safety Frame Adjustment

1. Pull the Sliding Safety Frame to desired position.
2. Make sure the Sliding Safety Frame gets caught in the hole completely.

Weight Plate Installation Requirements

1. Please use Olympic Weight Plate which hole is greater than $\Phi 50\text{mm}$ and external diameter is less than $\Phi 500\text{mm}$.
2. This equipment does not contains Weight Plate.



Maintenance Schedule

| ROUTINE | COMMERCIAL MAINTENANCE | HOME MAINTENANCE | LATEST DATE ENTRY | | | | | |
|--|------------------------|------------------|-------------------|--|--|--|--|--|
| | | | | | | | | |
| Inspect; Links, Pull Pins, Snap Locks, Swivels, Weight Stack Pins | DAILY | WEEKLY | | | | | | |
| Clean; Upholstery | DAILY | WEEKLY | | | | | | |
| Inspect; Cables or Belts and their tension | DAILY | WEEKLY | | | | | | |
| Inspect; Accessory Bars, and Handles | WEEKLY | 3 MONTHS | | | | | | |
| Inspect; All Decals | WEEKLY | 3 MONTHS | | | | | | |
| Inspect; All Nuts and Bolts, Tighten if needed | WEEKLY | 3 MONTHS | | | | | | |
| Inspect; Anti-Skid Surface | WEEKLY | 3 MONTHS | | | | | | |
| Clean & Lubricate; Guide Rods with a Teflon (PTFE) based lubricant (Superlube) | MONTHLY | 3 MONTHS | | | | | | |
| Lubricate; Seat Sleeves, Turcite Bushings, Linear Bearing | MONTHLY | 3 MONTHS | | | | | | |
| Clean and Wax; All Glossy Finishes | 6 MONTHS | YEARLY | | | | | | |
| Repack with Grease; Linear Bearings | 6 MONTHS | YEARLY | | | | | | |
| Replace; Cables, Belts and Connecting Parts | YEARLY | 3 YEARS | | | | | | |

Your equipment comes with a commercial maintenance decal. For personal, in home use, please follow the home maintenance schedule listed above.

General Maintenance Information

Links, Pull-Pins, Snap Hooks, Swivels, Weight Stack Pins:

- * Check all pieces for signs of visible wear or damage.
- * Check springs in snap hooks and pull-pins for proper tension and alignment.
- * If the spring sticks or has lost its rigidity, replace it immediately.

Upholstery:

- * To ensure prolonged upholstery life and proper hygiene, all upholstered pads should be wiped down with a damp cloth after every workout.
- * Periodically take the time to use a mild soap or an approved vinyl upholstery cleaner to deter the onset of cracking or drying. Avoid using any abrasive cleaners or cleaners not intended for use on vinyl.
- * Replace ripped or worn upholstery immediately.
- * Keep sharp or pointed objects clear of all upholstery.

Decals:

- * Inspect and familiarize yourself with any safety warnings or other user information posted on each decal.

Nuts and Bolts:

- * Inspect all nuts and bolts for any loosening and tighten if needed.
- * Go through a re-tightening sequence periodically to ensure that all hardware is tensioned proper.

Anti-Skid Surfaces:

- * These surfaces are designed to supply secure footing and need to be replaced if they appear worn or become slippery.

Belts and Cables:

- * We use only high quality belt, and mil-spec cables.
- * Visually inspect the belts and cables for fraying, cracking, peeling or discoloration.
- * While the machine is not in use, carefully run your fingers along the belt or cable to feel for thinning or bulging areas.
- * Replace belts and cables immediately at the first signs of damage or wear. Do not use equipment until belts or cables have been replaced.

Belt and Cable Tension:

- * Referring to the Owners Manual, when belts or cables are used check all bolts attachments to be sure they are properly attached.
- * Check slack in cables and re-adjust cable tension if needed.

Seat Sleeves, Guide Rods:

- * Wipe down adjusting tubes with a dust free rag before applying lubricant.
- * Lubricate seat sleeves and Guide Rods with a Silicon or Teflon based lubricant spray.

Linear Bearings:

- * Referring to the Owners Manual carefully disassemble the bearing from its housing and place a finger full of light grease (lithium, super lube, etc.) into the inside of the bearing. Using your finger, press the grease into the ball-bearings and their tracks. Repeat until the ball-bearing tracks are full of grease. Insert the shaft back into the bearing and wipe off excess grease.

PLEASE KEEP THIS FOR YOUR RECORDS

Weight Training Tips

Use this manual to guide you through the basic exercises you can perform on your equipment. To gain maximum results and avoid possible injury, consult a fitness professional to develop your complete exercise program.

Always consult your physician before starting any exercise program.

To be successful in your exercise program, it is important to develop an understanding of the basic principles of strength training. Now that you have your equipment, it is only natural that you want to get started immediately. First, determine a set of realistic goals and objectives for yourself. By deciding on an exercise plan that is right for you prior to starting, you will contribute significantly to your success.

Warm up properly before engaging in weight resistance training. Stretching, yoga, jogging, calisthenics or other cardiovascular exercise can help prepare your body for the heavier workload of lifting weights.

Learn how to perform the exercise correctly before using heavy weight. Correct form is important to avoid injury and to ensure that you work the proper muscle groups.

Know your limitations. If you are new to weight training or are embarking on an exercise regimen after a long layoff, start slowly and build foundational strength over a longer period of time.

Pay attention to your breathing. Exhale when you exert is a general rule of thumb. Never hold your breath.

